

Installing a Christie One Mount/Christie One Mount Plus

This document provides instructions for installing the Christie One Mount or Christie One Mount Plus and optional accessories to mount Christie projectors to a ceiling or truss.

Safety and warning guidelines

Read all safety and warning guidelines before installing the Christie One Mount/Christie One Mount Plus.



Warning! If not avoided, the following could result in death or serious injury.

- SHOCK HAZARD! Disconnect the product from AC before installing, moving, servicing, cleaning, removing components, or opening any enclosure.
- A minimum of two people or appropriately rated lift equipment is required to safely lift, install, or move the product.
- FIRE HAZARD! Do not install near any devices that produce heat such as amplifiers, radiators, heat registers, or stoves.
- Do not exceed the maximum load capacity of the product.
- Do not install on a structure susceptible to vibration, movement, or change due to impact.

Required tools

The following tools are required to install a Christie One Mount or Christie One Mount Plus.

- 3 mm hex key
- 5 mm hex key

Required components

Ensure the necessary components are available before installing a Christie One Mount or Christie One Mount Plus.

- Christie One Mount (P/N: 108-506102-XX)
- Christie One Mount Plus (P/N: 140-117100-03)
- Christie One Mount extender rod (P/N: 121-125109-XX)

- Christie One Mount Rigging kit (P/N: 121-126100-XX)

Prerequisites

Before installing Christie One Mount or Christie One Mount Plus, ensure the following is met for the mount and the supporting structure.

- The maximum loaded a Christie One Mount can support is 24 kg (53 lbs).
- The maximum load a Christie One Mount Plus can support is 45 kg (99 lbs).
- Mount the ceiling plate to a structure capable of handling the combined maximum weight of the projector with installed accessories and the mount.
- The installation of the ceiling mount and supporting structure must meet local building codes.
- Attach the ceiling plate to the supporting structure using all four holes (mounting screws and bolts are not included with the mount).
- If mounting to ceiling studs, ensure that the mounting screws are anchored into the center of the ceiling studs. Christie recommends using an edge-to-edge stud finder.
- Be aware of the mounting environment. If drilling and/or cutting into the mounting surface, always make sure no electrical wires are in the wall.
- To prevent image vibration, Christie recommends not installing the fog filters on HS Series projectors mounted with Christie One Mount Plus.

Installing a Christie One Mount/Christie One Mount Plus

Follow these instructions to install a Christie One Mount or Christie One Mount Plus.

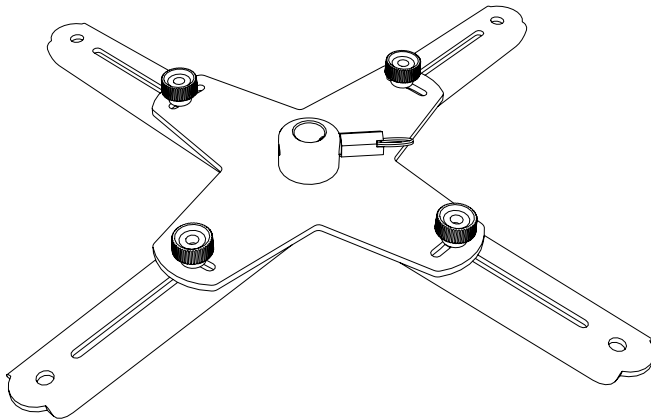
1. To determine the correct mount to use with your projector, refer to the Accessories section of the Christie website (<https://www.christiedigital.com/en-us/products/accessories>), select **Ceiling Mounts > Christie One Mount or Christie One Mount Plus**.
2. Position and securely fasten the ceiling plate to the ceiling.



3. Insert the calibration device into the ceiling plate and secure with the two setscrews.



4. Position the projector adapter plate with adjustable arms on the bottom side of the projector.



5. Secure the adjustable arm plate to the projector by positioning the screws of the plate with the designated holes on the bottom of the projector.

When mounting projectors with the Christie One Mount Plus, select the bolt size appropriate for your projector and tighten to the specified torque.

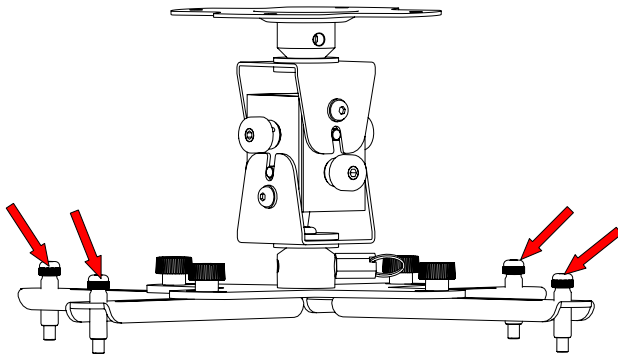
- M6-1.0: length = 50 mm, torque = 16 Nm, with the 3 mm washer and rubber bushings
- M8-1.25: length = 55 mm, torque = 38 Nm, without washer

When mounting projectors with the Christie One Mount, select the bolt size appropriate for your projector and tighten to the specified torque.

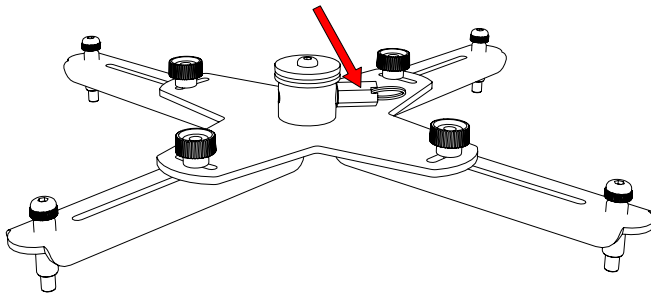
- M4-0.7: length = 35 mm, torque = 3.5 Nm
- M6-1.0: length = 35 mm, torque = 16 Nm



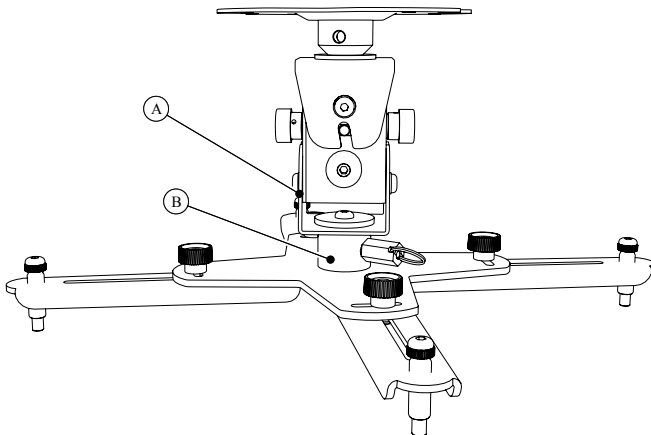
6. Use the four brass leveling standoffs to attach and level the adapter plate on the projector. Projector standoffs are adjustable spacers which can be used to level the arms of the Christie One Mount. The projector standoffs also ensure screws are centered when the projector is attached to the mount.



7. Ensure the quick-release ring is seated in the slotted groove and the set screw is loosened. Use the quick-release for rapidly attaching the projector to the mount. It is a spring lock pin and the quick release ring can be turned to be in or out of the slotted groove.

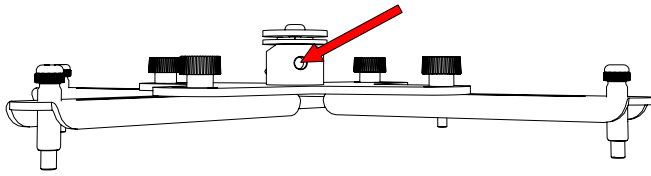


8. Secure the projector to the ceiling mount with the quick-release. Ensure the projector is locked into place by verifying that the spring lock pin is seated in the calibration device slot. A clicking sound indicates the lock pin is seated properly in the holder. Ensure no gap exists between the ceiling plate collar and calibration device.



ID	Description
A	Calibration device
B	Collar

9. Tighten the setscrew.



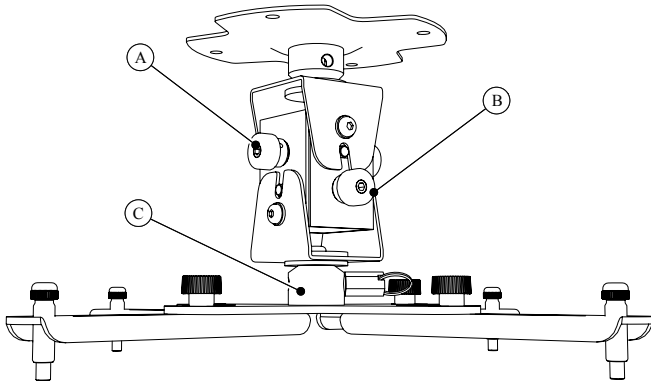
10. Calibrate and position the mount with the four adjustment knobs.



11. In the case of heavy loads, use a hex key to calibrate the projector position.



Tilt and roll knobs differ based on the orientation of the projector on the mount.



ID	Description
A	Tilt +30°/=30°
B	Roll +30°/=30°
C	Swivel 360°

12. To eliminate vibration or movement during operation tighten the four button screws.



Installing a Christie One Mount extender rod

The extender rod is an accessory used to adjust the distance between the projector and the mounting location.

1. Install the extender rod between the ceiling plate/rigging kit and the calibration device.
2. Secure the extender rod to the ceiling plate/rigging kit and calibration device by tightening all four setscrews.

Extender rod with ceiling plate

Extender rod with rigging kit



3. To install the extended mount follow the instructions for *Installing a Christie One Mount/Christie One Mount Plus* (on page 2).

Installing a Christie One Mount Rigging kit

The rigging kit is an accessory used to mount to a truss or similar structure.

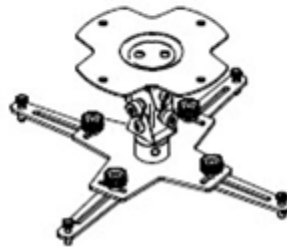
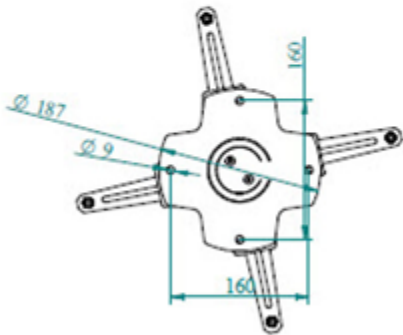
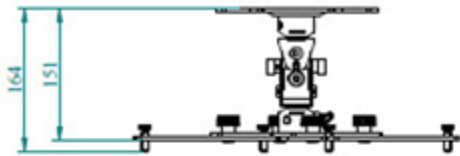
1. Install the rigging kit to the calibration device or extender rod.
2. To secure the rigging kit, tighten the two setscrews.



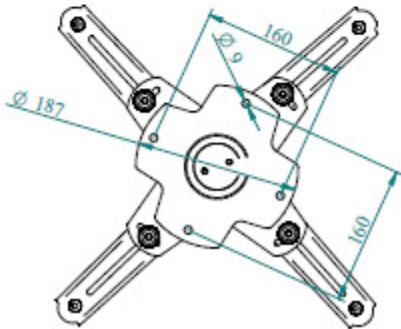
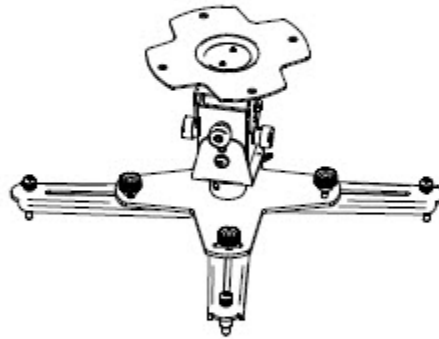
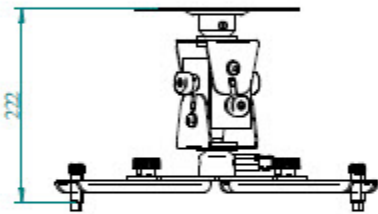
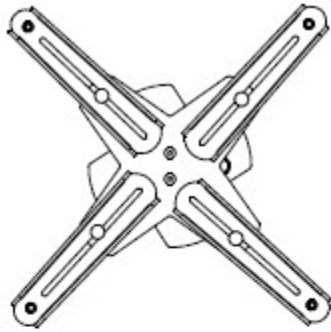
Product details

The following shows the product details for Christie One Mount and Christie One Mount Plus, including the extender rods.

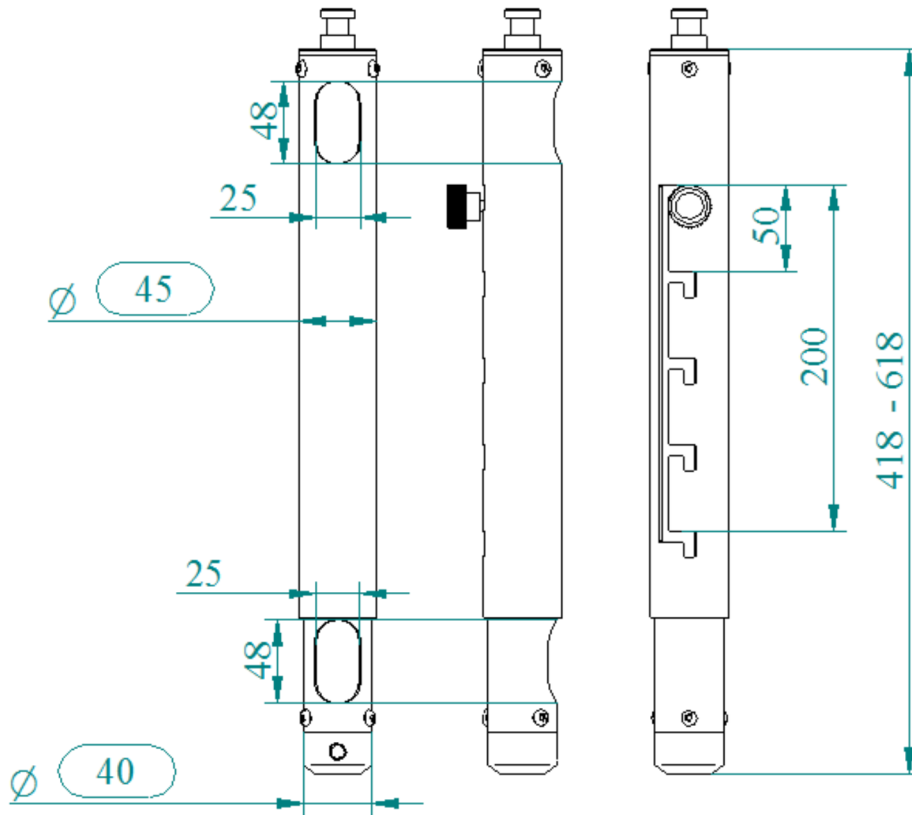
Christie One Mount



Christie One Mount Plus



Extender rods



Technical support

Technical support for Christie products is available at:

- North and South America: +1-800-221-8025 or Support.Americas@christiedigital.com
- Europe, Middle East, and Africa: +44 (0) 1189 778111 or Support.EMEA@christiedigital.com
- Asia Pacific: +65 6877-8737 or Support.APAC@christiedigital.com