

LUXTEL



BLINDED₁

USER MANUAL

Menu

1. Safety Instructions	3
2. Technical Specifications	4
3. Installation and Connection	6
4. How to set the unit	7
5. How to control the unit	10
6. DMX512 configuration	11
7. DMX512 Connection	12
8. Troubleshooting	13
9. Fixture Cleaning	13

1. Safety Instructions



Please read the instruction carefully which includes important information about the installation, usage and maintenance.

WARNING

- ⚠ Please keep this User Manual for future consultation. If you sell the fixture to another user, be sure that they also receive this instruction booklet.
- ⚠ Please unpack and check carefully there is no transportation damage before using the fixture. ⚠ Please disconnect main power before servicing and maintenance.
- ⚠ The unit must be installed in a location with adequate ventilation, at least 50cm from adjacent surfaces. Be sure that no ventilation slots are blocked.
- ⚠ The maximum ambient temperature is $T_a: 40^{\circ}\text{C}$. DO NOT operate it where the temperature is higher than this.
- ⚠ DO NOT connect the device to any dimmer pack. ⚠ The housing must be replaced if they are visibly damaged.
- ⚠ Unit surface temperature may reach up to 85°C . Don't touch the housing bare-hand during its operation. Turn off the power and allow about 15 minutes for the unit to cool down before replacing or serving.
- ⚠ There are no user serviceable parts inside the fixture. Do not open the housing or attempt any repairs by yourself. In the unlikely event your fixture may require service, please contact your nearest dealer.
- ⚠ In the event of serious operating problem, stop using the fixture immediately. Never try to repair the fixture by yourself. Repairs carried out by unskilled people can lead to damage or malfunction. Please contact the nearest authorized technical assistance center. Always use the same type spare parts.

For AC 220-240V power supply, the maximum fixtures that can be connected on one power cable is 20(including the first fixture) ;
For AC 100~120V power supply, the maximum fixtures that can be connected on one power cable is 15 (including the first fixture).

2. Technical Specifications

PHYSICAL

Dimensions (WxHxD): 234 x 348 x 150 mm

Packaging dimensions (WxHxD): 400 x 300 x 220 mm

Bracket: 232 mm

Nett weight: 3,0 kg

Gross weight: 3,8 kg

MOUNTING OPTIONS

Hanging: 1 omega bracket with 2x 1/4 turn quick-lock fastners & 1 M12 hole in the middle of the omega brackets: Standing

Double bracket - adjustable opening angle

2nd suspension / safety wire: Moulded eye on the housing to pass safety wire or carabiner

CONTROL

Menu Control: via OLED display with 4 buttons

Control: DMX512, manual

Dimmer mode: 0~100% - 8 or 16 bit mode

In/Link: XLR 5 pin

DMX mode: 1/2/4 channels

Strobe: Adjustable speed + random

OPTICAL

LED Sources: CREE LED

Beam angle: 50°

Light outputs : 2027 lux @ 2m | 540 lux @ 4m | 240 lux @6m

CRI : 81,9 CRI

Colour temperature: 2.700K - 1.200K in Tungsten mode

Tungsten mode: Amber is mixed at low light levels

Colours: Warm white + Amber

Dim speed: Fast, smooth or under

ELECTRICAL

Fixture rated power: 125W

Input power: 100 - 240V ~ 50/60 Hz - Auto switching power supply

LED engine: 1x 110W

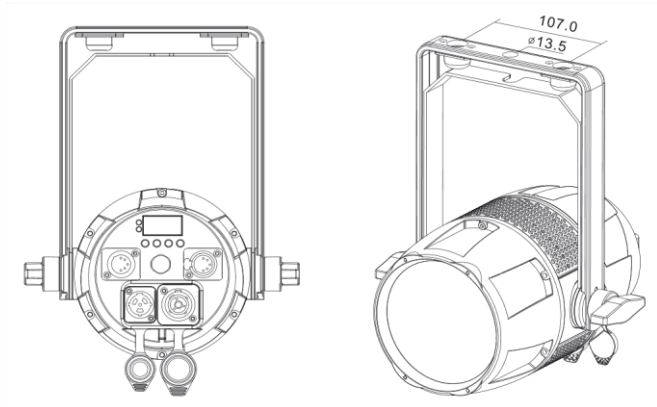
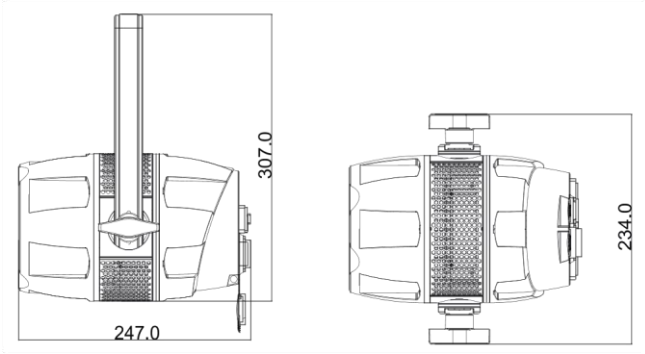
In/Link: PowerCON TRUE1 - max link current 10A

Refresh rate: 1200 Hz

ENVIRONMENTAL

IP Rating: IP65

Cooling: Very low noise: 38dB @ 1m | Temperature controlled fan



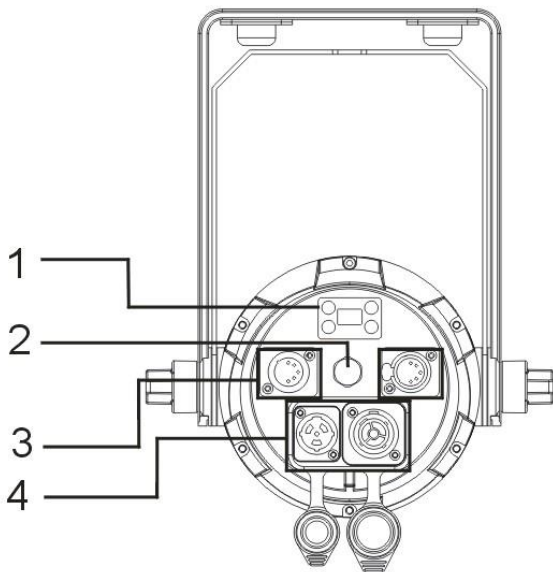
3. Installation and Connection

The unit should be mounted via its screw holes on the bracket. Always ensure that the unit is firmly fixed to avoid vibration and slipping while operating. Always ensure that the structure to which you are attaching the unit is secure and is able to support a weight of 10 times of the unit's weight. Also always use a safety cable that can hold 12 times of the weight of the unit when installing the fixture.

The equipment must be fixed by professionals. And it must be fixed at a place where is out of the touch of people and has no one pass by or under it. The unit should be mounted in the height of 0 to 30m.

4. How to set the unit

4.1 Rear Panel



○1 Display & Button

MENU	To select the programming functions
DOWN	To go forward in the selected functions
UP	To go backward in the selected functions
ENTER	To confirm the selected functions

○2 Through the air valve

○3 DMX input/output:

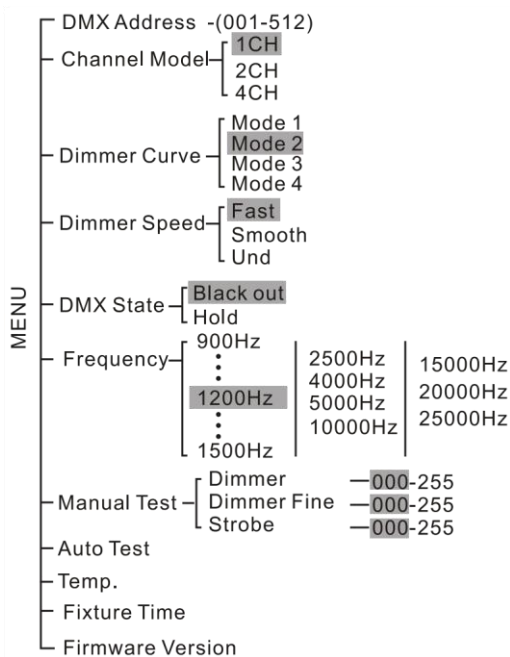
For DMX512 link, use 5-pin XLR plug cable to input DMX signal, and to link the next unit.

○4 Mains input/output:: Use Powercon true one mains connection.

4.2 Main Function

To select any functions, press **MENU** button until the required one is shown on the display. Select the function by **ENTER** button. Use **DOWN** and UP button to change the mode. Once the required mode has been selected, press **ENTER** button to setup or it will return to the main functions without any change

after idling 8 seconds automatically. Back to the functions without any change press **MENU** button. The main functions are shown below:



DMX 512 Address Setting

Select the **DMX Address**, press the **ENTER** button and the display will blink. Use the **DOWN** and **UP** button to change the DMX 512 address (001-512). Once the address has been selected, press the **ENTER** button to setup or exit menu mode without any change after 8 seconds automatically. Back to the previous functions without any change press the **MENU** button.

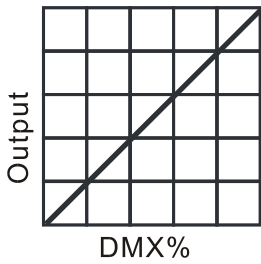
Channel Model

Select the **Channel Modl**, press the **ENTER** button. Use the **DOWN** and **UP** button to select the 1CH /2CH/4CH channel mode , Once selected, press the **ENTER** button to setup or exit menu mode without any change after 8 seconds automatically. To go back to the functions without any change press the **MENU** button

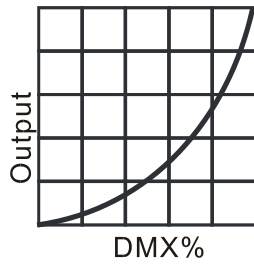
Dimmer Curve

Select the **Dimmer Curve**, press the **ENTER** button. Use the **DOWN** and **UP** button to select Mode 1...Mode 4. Once selected, press the **ENTER** button to setup or exit menu mode without any change after 8 seconds. Back to the functions without any change press the **MENU** button again.

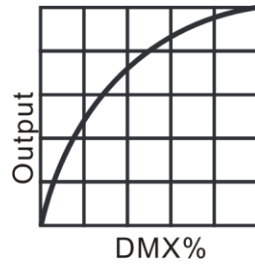
Dimmer mode 1 Dimmer mode 2 Dimmer mode 3 Dimmer mode 4



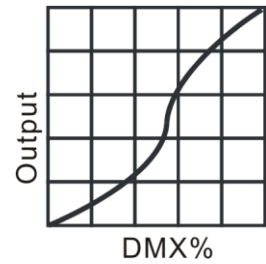
Optically Linear



Square Law



Inverse-Square Law



S-Curve Mode 1(Optically Linear):

The increase in light intensity appears to be linear as DMX value is increased.

Mode 2(Square Law): Light intensity control is finer at low levels and coarser at high levels.

Mode 3(Inverse Square Law): Light intensity control is coarser at low levels and finer at high levels. Mode

4(S-cure): Light intensity control is finer at low levels and high levels and coarser at medium levels.

Dimmer Speed

Select the **Dimmer Speed**, press the **ENTER** button. Use the **DOWN** and **UP** button to select Fast /Smooth / Und (Tungsten filament effect), Once selected, press the **ENTER** button to setup or exit menu mode without any change after 8 seconds. Back to the functions without any change press the **MENU** button again.

DMX State

Select the **DMX State**, press the **ENTER** button. Use the **DOWN** and **UP** button to select Blackout/ Hold t , Once selected, press the **ENTER** button to setup or exit menu mode without any change after 8 seconds. Back to the functions without any change press the **MENU** button again.

Frequency

Select the **Frequency**, press the **ENTER** button. Use the **DOWN** and **UP** button to select 900Hz/...1500Hz/2500Hz/4000Hz/5000Hz/10000Hz/15000Hz/20000Hz/25000Hz . Once selected, press the **ENTER** button to setup or exit menu mode without any change after 8 seconds. Back to the functions without any change press the **MENU** button again.

Manual Test

Select the **Manual Test**, press the **ENTER** button. use the **DOWN** and **UP** button to select

Dimmer/Dimmer Fine/Strobe, You can choose values between 0-255, and press the ENTER button to setup or automatically exit menu mode without any change after 8 seconds. To go back to the functions without any change press the MENU button

Auto Test

Select the **Auto Test**, press the **ENTER** button and the unit will run self-test by built-in program. To go back to the functions press the MENU button again. Hold and press the MENU button about one second or wait for one minute to exit the menu mode.

Temperature Display

Select the **Temperature**, press **ENTER** button and the display will show the temperature. To go back to the functions press the **MENU** button.

Fixture Time

Select the Fixture Time, press **ENTER** button and the display will show the number of working hours of the unit. To go back to the functions press the **MENU** button.

Firmware Version

Select the **Firmware Version**, press **ENTER** button and the display will show the version of software of the unit. To go back to the functions press the **MENU** button.

5. How to control the unit

1. By DMX controller;

No need to turn the unit off when you change the DMX address, as new DMX address setting will be affected at once. Turn on the unit, under the DMX signal, the LED will display the saved channel address (001-512) .

6. DMX512 configuration

Channel Mode:

1Channel model

Channel	Value	Function
1	0-255	Dimmer 0 → 100%

2Channel Mode

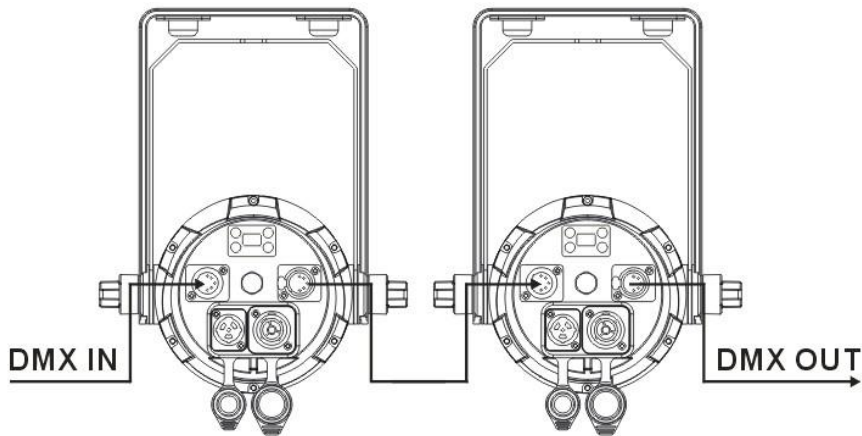
Channel	Value	Function
1	0-255	Dimmer 0 → 100%
2 Flash	0-5	Open
	6-123	Flash Rate, slow to fast
	124-127	Open
	128-168	LED random strobe(speed1)
	169-208	LED random strobe(speed2)
	209-249	LED random strobe(speed3)
	250-255	Open

4Channel model

Channel	Value	Function
1	0-255	Dimmer 0 → 100%
2	0-255	Dimmer Fine
3 Flash	0-5	Open
	6-123	Flash Rate, slow to fast
	124-127	Open
	128-168	LED random strobe(speed1)
	169-208	LED random strobe(speed2)
	209-249	LED random strobe(speed3)
	250-255	Open
4 Dimmer Speed	0-063	According to the menu
	064-127	Fast
	128-191	Smooth
	192-255	Und

7. DMX512 Connection

Mode connection:



1. Connect the fixture together in a “daisy chain” by XLR plug cable from the output of the fixture to the input of the next fixture. The cable cannot be branched or split to a “Y” cable. Inadequate or damaged cables, soldered joints or corroded connectors can easily distort the signal and shut down the system
2. The DMX output and input connectors are pass-through to maintain the DMX circuit when one of the units’ power is disconnected.
3. At last fixture, the DMX cable has to be terminated with a terminator to reduce signal errors. Solder a 120-ohm 1/4W resistor between pin 2(DMX-) and pin 3(DMX+) into a 5-pin XLR-plug and plug it in the DMX-output of the last fixture.
4. Each lighting fixture needs to have an address set to receive the data sent by the controller. The address number is between 0-511 (usually 0 & 1 are equal to 1).
5. 5 pin XLR connectors:.
5 pin XLR: Pin 1: GND, Pin 2: Negative signal (-), Pin 3: Positive signal (+) 4:Blank 5:Blank

8. Troubleshooting

Following are a few common problems that may occur during operation. Here are some suggestions for easy troubleshooting:

A. The fixture does not work, no light

1. Check the connection of power and main fuse.
2. Measure the mains voltage on the main connector.

B. Not responding to DMX controller

1. DMX LED should be on. If not, check DMX connectors, cables to see if link properly.
2. If the DMX LED is on and no response to the channel, check the address settings and DMX polarity.
3. If you have intermittent DMX signal problems, check the pins on connectors or on PCB of the fixture or the previous one.
4. Try to use another DMX controller.
5. Check if the DMX cables run near or run alongside to high voltage cables that may cause damage or interference to DMX interface circuit.

9. Fixture Cleaning

The cleaning of internal must be carried out periodically to optimize light output. Cleaning frequency depends on the environment in which the fixture operates: damp, smoky or particularly dirty surrounding can cause greater accumulation of dirt on the fixture's optics.

☒ Clean with soft cloth using normal glass cleaning fluid. ☒ Always dry the parts carefully. ☒ Clean the external optics at least every 20 days. Clean the internal optics at least every 30/60 days.

Declaration of Conformity

We declare that our products (lighting equipments) comply with the following specification and bears CE mark in accordance with the provision of the Electromagnetic Compatibility (EMC) Directive 2004/108/EC.

EN55103-1: 2009 ; EN55103-2: 2009;
EN61000-3-2: 2006 + A1:2009 + A2:2009; EN61000-3-3: 2008.

&

Harmonized Standard

EN 60598-1:2008 + All:2009; EN 60598-2-17:1989 + A2:1991;
EN 62471:2008; EN 62493: 2010
Safety of household and similar electrical appliances
Part 1: General requirements

Innovation, Quality, Performance