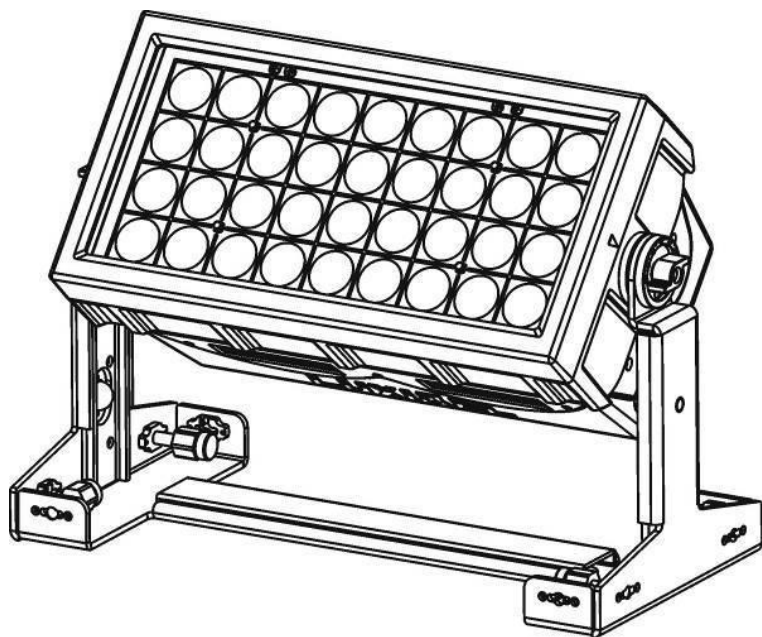


LUXI³EL

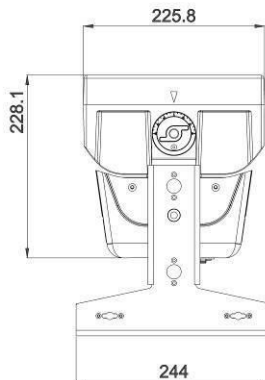
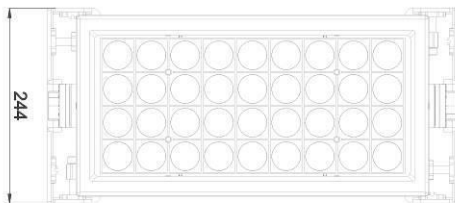
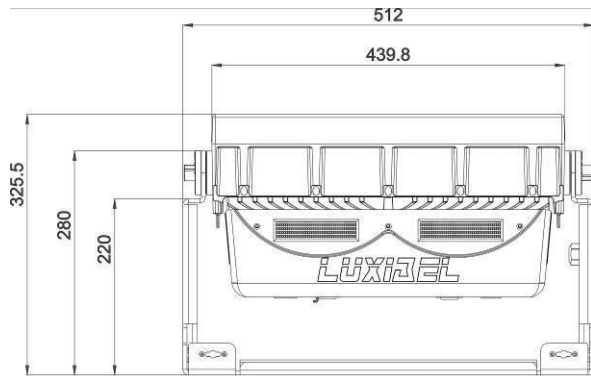


Menu

Dimensions	2
Before Using	3
What's inside	3
Open box instruction	3
A C power supply	3
Safety Instruction	3
Introduction	4
Specification	4
Product features	5
Product Introduction	6
Installation	7
Installation requirements	7
Power supply connection	8
DMX Signal connection	8
DMX Address setting	9
Operating instruction	9
Control board function	9
Menu Map	10
Menu Instruction	11
DMX Channel Table	19

Dimensions

All dimensions are in millimeters



Before Using

What's inside

- Equipment x 1
- Power cable with Plug x 1
- User manual x 1
- Iron holder x 2

Open Instruction



Help preserve the environment! Ensure that this product is recycled at the end of its life. Your supplier can give details of local arrangements for the disposal of products.

Please open the equipment carefully, and check all the spare parts are included or not. If any part of the cause of the failure due to improper transportation or carton, please keep the packing materials and immediately inform the shipper to check. If the equipment must be returned to the factory, the equipment should be use the original carton and packaging.

AC Power Supply

The equipment power supply is able to adapt to the wide input voltage. Please confirm the input voltage is in the scale of rated voltage. The equipment can adapt to 100V-240V AC voltage, Frequency 50/60HZ. It cannot run a rheostat (variable resistor) or dimmer circuits.

Safety Instruction

This product is I level protection equipment, so it is must be connected well and connected by the professional people.

- Make sure the voltage isn't be above or below which the user manual rated values.
- Confirm the power cord is not a sword cut or damaged.

- Must be cut off the power supply in the condition of no using or cleaning.
- Only allowed with the power cord plug connection. Please do not force when unplug the power cord to pull the plug.
- Be careful in the process of installation of equipment. Avoid touching the bare wire, otherwise it will suffer fatal shocks.
- Don't look the light source directly, otherwise it will hurt the eyes.
- Please use the equipment wires appropriate.
- Without the manufacturer's authorization or lay people don't remove, repair and modification of equipment.

Introduction

Specification

PHYSICAL

Dimensions (WxHxD): 512 x 326 x 244 mm

Packaging dimensions (WxHxD): 575 x 410 x 395 mm

Nett weight: 16,9 kg Gross

weight: 19 kg

MOUNTING OPTIONS

Hanging: 2x Omega bracket with 2x 1/4 turn quick lock fastner

Standing: 4x rubber feet

2nd suspension / safety wire: 1x eye in the bottom of the fixture to pass a safety wire or carabiner

Arrayable: Horizontal & vertical

CONTROL

Menu control: Via 2.4" TFT display with 4 touch buttons

In/Link: XLR 5 pin

Control : DMX512, master/slave

DMX mode : 3/5/17/23 channels

Dimmer mode: LED, halogen

OPTICAL

Beam angle: 7° - 58°

Light output RGBW 7°: 38800 lux @ 2m | 11450 lux @ 4m | 4287 lux @ 6m

Light output RGBW 58°: 4690 lux @ 2m | 1198 lux @ 4m | 513 lux @ 6m

Colours: RGBW

Control: In 4 segments of 9 LED horizontal

Strobe: 0-20 Hz

Dimming curves: 4

ELECTRICAL

Fixture rated power: 500W

Input power: 100 - 240V ~ 50/60 Hz - Auto switching power supply

LED engine: 36x 15W RGBW

In/Link: PowerCON TRUE1 - max link current 10A

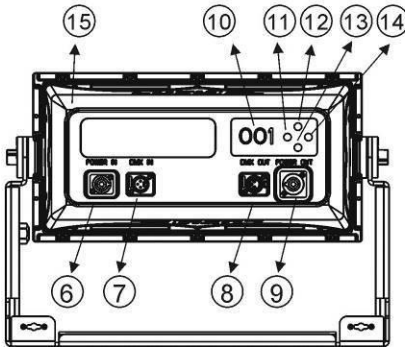
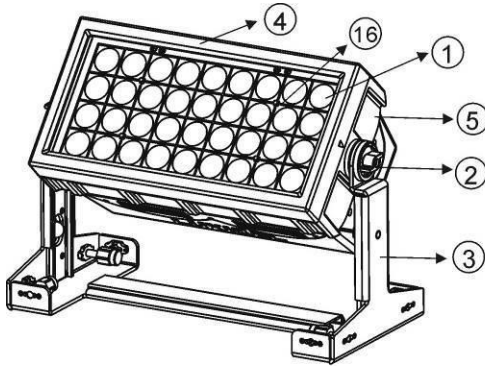
Refresh rate: 3000 Hz

ENVIRONMENTAL

IP rating: IP65

Cooling: Forced air cooling

Product Introduction

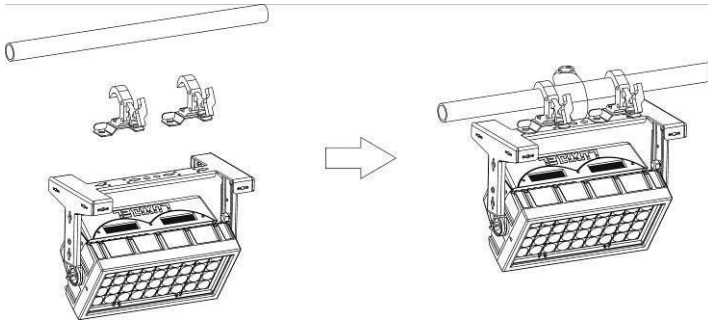


- ① Lens
- ② Rotary knob
- ③ Main holder
- ④ Top cover
- ⑤ Cooling fin
- ⑥ Power IN
- ⑦ DMX IN
- ⑧ DMX OUT
- ⑨ Power OUT
- ⑩ LCD display
- ⑪ MENU
- ⑫ UP
- ⑬ DOWN
- ⑭ ENTER
- ⑮ Back Cover
- ⑯ Motor

Installation

Installation Requirements

- This equipment can be used in many places, it can hang and put on the ground.
- Choosing a suitable place to put or hang the equipment when installation. Must be use the special screws and hook to make sure the lamp's weight is in the weight range.
- When installing the equipment, ensure no inflammable and explosive goods at 0.5meter distance.
- Please ask the professionals to install the equipment, any improper installation will cause personal injury or material damage.
- To prevent others entering the working areas below, the installation or maintenance of equipment with suitable and stable platform
- The equipment must be placed in ventilated place, at least 50 cm from the ground, please ensure that the vent without clogging.



Power supply connection

The equipment can be used in the wide voltage input. Please make sure the voltage is the scale of rated voltage when connecting the power. The equipment can adapt to 100V to 240 V AC voltage and 50-60 Hz.

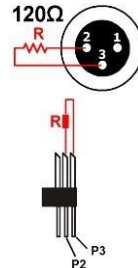
s	Connection	Pin
Brown	AC Live	1
Blue	AC Neutral	2
Green/Yellow	AC Ground	3

DMX Signal Connection

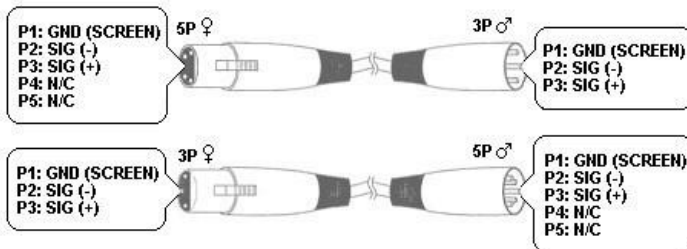
1. Use DMX512 controller, use the DMX signal (male) to plug into the first light (female) 3pin.
2. Put out of the equipment of the first signal wire(head), connected to the equipment of the next 3 pin plug(female), so on. See below pictures.



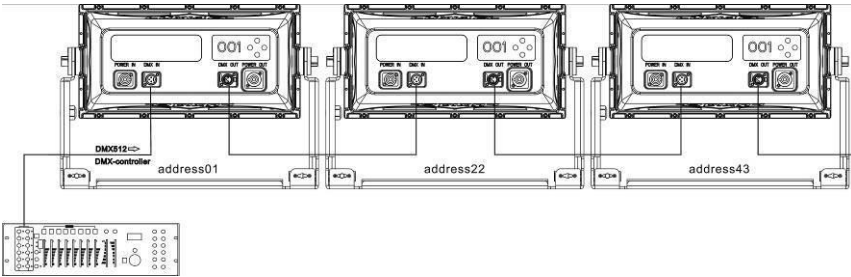
terminator



How to turn the controller line from 3-pins into 5-pins (plug and socket).



DMX Address setting

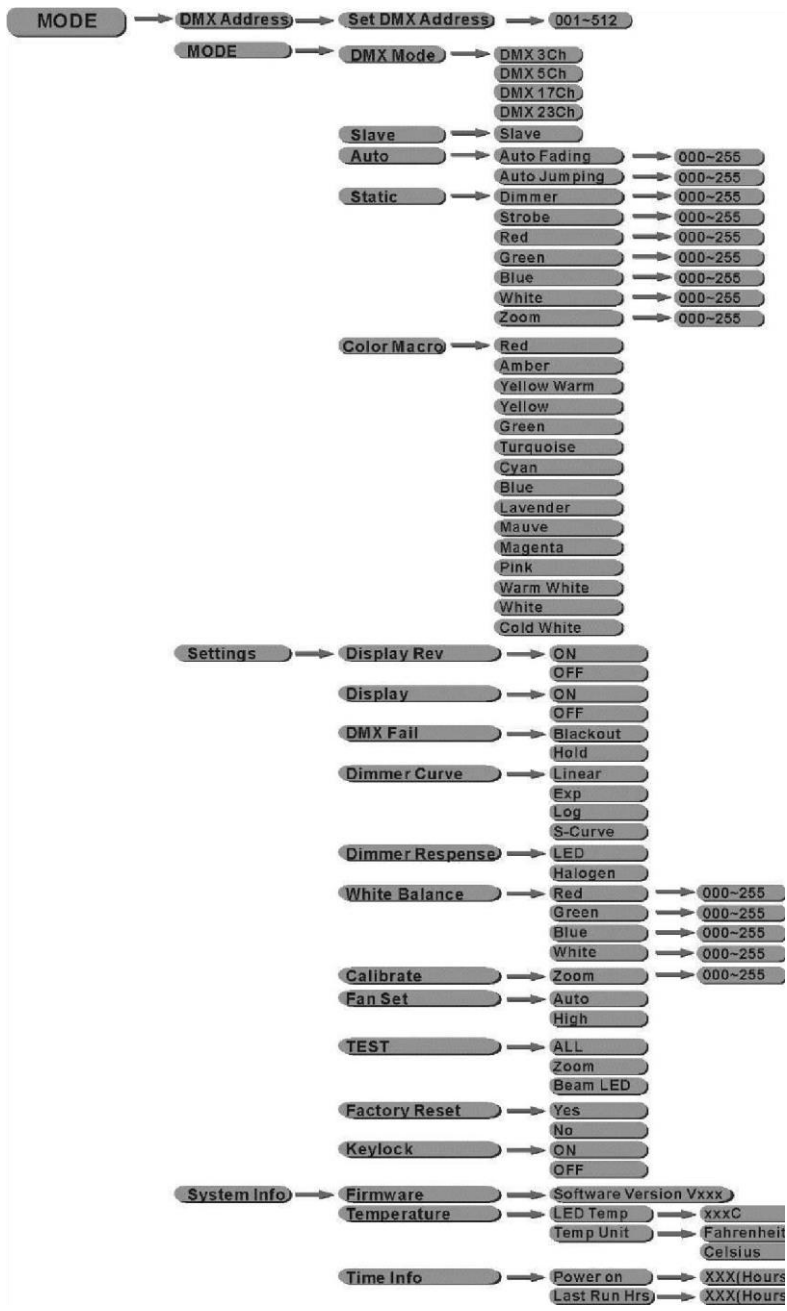


Operating Instruction

Control board function

Button	Function
Mode	Choose mode or function exit
ENTER	Current show menu or enter into the current selected function
UP	Increase the value
DOWN	Decrease the value

- When the spotlight is properly connected to the mains, “Software Update, Please Wait” (only for internal purposes), “Welcome to LED Wash Zoom”, the model name and software version appear successively on the display during the start-up process. After this operation, the spotlight is ready for use and starts in the mode that was previously selected.
- If one of the DMX operating modes is activated and there is no DMX signal at the DMX input, the display starts to flash after a few seconds.
- After approximately 30 seconds of inactivity, the display will automatically show the currently active operating mode.
- Fast Access Feature: In order to simplify the menu guide, the device has an intelligent menu structure which allows menu and sub-menu items that were last selected to be accessed directly. 1. Pressing MODE and ENTER simultaneously will take you directly to the sub-menu item that was last edited and allows you to instantly change the corresponding value as desired (DMX start address and all operating modes). 2. Pressing MODE will take you directly to the menu item that was last selected and edited; now press ENTER to instantly access the sub-menu item that was selected and edited last (DMX start address and all operating modes).



Menu Map Menu Instruction:

MAIN DISPLAY DMX MODE

In the upper line of the display, the DMX (DMX 3Ch,4Ch1,4Ch2,5Ch,15Ch,20Ch,21Ch,37Ch) is display and the DMX start address is prominently shown in the centre (for example DMX2Ch and ADDRESS 001). As soon as the DMX signal is interrupted, the display starts flashing; if the DMX signal is present again, the display stops flashing.



MAIN DISPLAY SLAVE MODE

In the upper line the display, the preset DMX is displayed and “SALVE” is prominently shown in the center. As soon as the control signal is interrupted, the display starts flashing; if the control signal is present again, the display stops flashing.



MAIN DISPLAY STANDALONE MODE

In the upper line of display, the preset DMX mode is displayed and the currently activated Auto mode, static mode STATIC, or colour macro mode COLOUR MACRO.



SETTING THE DMX START ADDRESS(ADDRESS)

Pressing MODE will take you the selection menu for system setting. Using UP and DOWN, select the menu item “ADDRESS” (colored background)and confirm with ENTER. This is followed by the display of the menu item “Set DMX Address” .Press ENTER again to select the DMX start address as desired button using the UP and DOWM button. If the start address is changed, the address color changes to red. Confirm with ENTER and Press MODE twice to return to the main display. The main display is automatically activated if no input is made within about 30 seconds.

DMX 23Ch	DMX
DMX Address	001
MODE	Yes
Settings	
System Info	

DMX 23Ch	DMX
Set DMX Address	001

DMX 23Ch	DMX
Set DMX Address	
^ 001 v	

SETTING THE DMX MODE(DMX MODE)

Pressing MODE will take you to the selection menu for system settings. Using UP and DOWM, select the menu item “MODE” (colored background) and confirm with ENTER. Now use the UP and DOWN buttons once more to select the “DMX MODE” sub-menu item and confirm button pressing ENTER. Using UP and DOWN, select the desired DMX mode (DMX 3Ch, DMX 4Ch1, DMX 4Ch2, DMX 5Ch, DMX 15Ch, DMX 20Ch, DMX21 Ch, DMX37 Ch)and confirm with ENTER. Press MODE twice to return to the main display. the main display is automatically activated if no input id made within about 30 seconds. You will find tables with the channels of the different DMX modes in this manual under DMX CONTROL.

DMX 23Ch	DMX
DMX Address	001
MODE	Yes
Settings	
System Info	

DMX 23Ch	DMX
DMX Signal Select	
DMX Mode	Yes
Slave	
Auto	
Static	
Color Macro	

DMX 23Ch	DMX
DMX 3Ch	
DMX 5Ch	
DMX 17Ch	
DMX 23Ch	Yes

SETTING THE SLAVE MODE(Slave)

Pressing MODE will take you to the selection menu for system settings. Using UP and DOWN, select the menu item “MODE” (colored background) and confirm with ENTER. Now use the UP and DOWN buttons once more to select the “DMX MODE” sub-menu item and confirm button pressing ENTER and press MODE twice to return to the main display. The main display id automatically activated if no id made within about 30 seconds, Connect the slave and the master unit(same model)with a DMX cable and activate one of the standalone modes(Auto, Static, Color Macro)on the master unit. Now the slave unit follows the master unit.

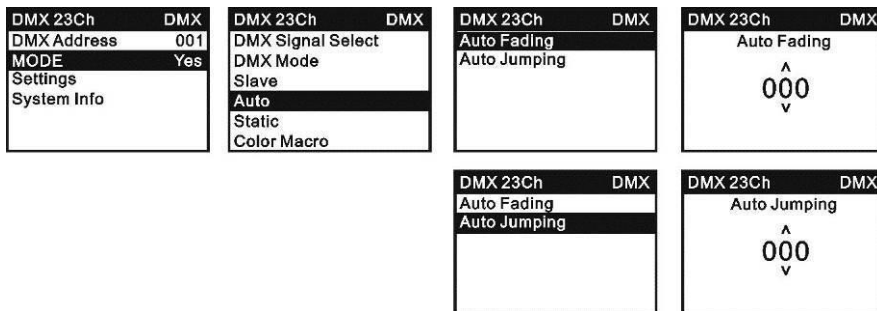
DMX 23Ch	DMX
DMX Address	001
MODE	Yes
Settings	
System Info	

DMX 23Ch	DMX
DMX Signal Select	
DMX Mode	
Slave	Yes
Auto	
Static	
Color Macro	

SETTING THE AUTOMATIC CONTROL MODE(Auto)

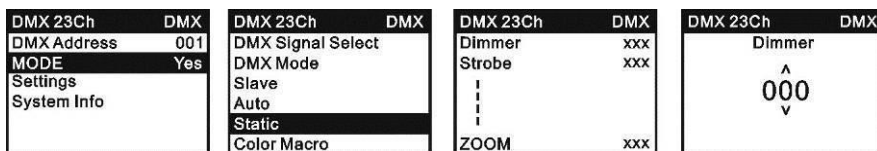
Pressing MODE will take you to the selection menu for system settings. Using UP and DOWN, select the menu item “MODE” (colored background) and confirm with ENTER. Now use the UP and DOWN buttons once more to select the “Auto” sub-menu item and confirm button pressing ENTER, Using UP and DOWN

, you can now select between Auto additional sub-menu items “Auto Fading” and “Auto Jumping” .Select “Auto Fading” , Press ENTER again to select the auto fading speed(000-255) as desired button using the UP and DOWM button. If set the “Auto Jumping” , Press ENTER again to select the auto jumping speed (000-255) as desired button using the UP and DOWM buttons.



STATIC MODE(Static)

In the same way as with a DMX control unit, the static mode allows you adjust an functions such as Dimmer, Red, Green, Blue, White and Strobe directly on the device with values from 000 to 255. Thus, an individual scene can be created without an additional DMX controller, pressing MODE will take you to the selection menu for system settings. Using UP and Down, select the menu item “Static” (colored background) and confirm with ENTER, Use the UP and DOWN buttons to select the function of the LED Wash that you wish to edit and confirm button pressing ENTER. The value (dimmer, Red, Green, Blue, White, etc., see list) of the corresponding function can now be set from 000-255 and press ENTER to confirm the input. Once all of the parameters have been set as desired, press MODE three to the main display. The main display is automatically activated if no input made within 30 seconds.



STATIC				
Dimmer	000	-	255	0% to 100%
Strobe	000	-	005	Strobe open

	006		010	Strobe closed
	011	-	033	Plus Random, slow->fast
	034	-	056	Ramp up Random, slow -> fast
	057-	-	0796	Ramp down Random, slow -> fast
	080	-	102	Random Strobe Effect, slow -> fast
	103	-	127	Strobe Break Effect, 5s.....1s (Short burst with break)
	128	-	250	Strobe slow -> fast <1Hz - 20Hz
	251	-	255	Strobe open
Red	000	-	255	0% to 100%
Green	000	-	255	0% to 100%
Blue	000	-	255	0% to 100%
White	000	-	255	0% to 100%
Zoom	000	-	255	7-58° Zoom

SETTING THE COLOR MACRO MODE (Color Macro)

Pressing MODE will take you to the selection menu for system settings. Using UP and DOWN, select the menu item “MODE” (colored background) and confirm with ENTER. Now use the UP and DOWN buttons once more to select the “Color Macro” sub-menu item and confirm button pressing ENTER, Using UP and DOWN, you can now select 15 different color macros are available as presets: “Red”, “Amber”, “Yellow Warm”, “Yellow”, “Green”, “Turquoise”, “Cyan”, “Blue”, “Lavender”, “Mauve”, “Magenta”, “Pink”, “Warm White”, “White” and “Cold White”, Press ENTER and exit. press

MODE three to the main display. The main display is automatically activated if no input made within 30 seconds.

DMX 23Ch	DMX
DMX Address	001
MODE	Yes
Settings	
System Info	

DMX 23Ch	DMX
DMX Signal Select	
DMX Mode	
Slave	
Auto	
Static	
Color Macro	

DMX 23Ch	DMX
Red	Yes
Amber	
:	
:	
:	
Cold White	

DEVICE SETTINGS(Setting)

Pressing MODE will take you to the selection menu for system settings. Using UP and DOWN, select the menu item “Setting” (colored background) and confirm with ENTER. You will then be taken to the submenu to set the sub-menu items (set list).The main display is automatically activated if no input is made within about 30 seconds.

DMX 23Ch	DMX
DMX Address	001
MODE	Yes
Settings	
System Info	

DMX 23Ch	DMX
Display Rev	xxx
Display	xxx
:	
:	
:	
Keylock	xxx

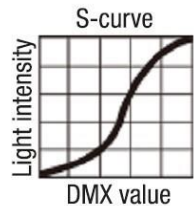
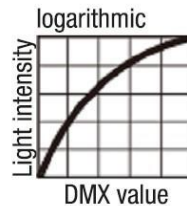
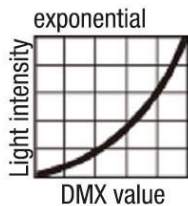
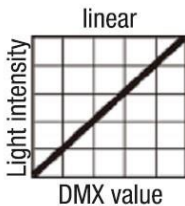
DMX 23Ch	DMX
ON	Yes
OFF	

setting				
Display Rev	=	Flip Display	ON	=Rotation of the display by 180° (e.g.over head installation)
			OFF	=no rotation of the display
Display	=	Display lighting	ON	=permanently on
			OFF	=deactivation after approx.1 minutes of inactivity
DMX Fail	=	Operation status with DMX signal interruption	Hold	=last command is held
			Blackout	=activates Blackout
Dimmer Curve	=	Dimmer Curve	Linear	=The light intensity increases linearly with the DMX value

			Exp	=Adjustment of the light intensity is finer in the lower DMX value range and coarser in the upper DMX value range
			Log	=Adjustment of the light intensity is coarser in the lower DMX value range and finer in the upper DMX value range
			S Curve	=Adjustment of the light intensity is finer in the lower and upper DMX value ranges and coarser in the middle DMX value range
Dimmer Response	=	Dimmer response	LED	=The spotlight responds abruptly to changes in the DMX value
			Halogen	=The spot behaves in a manner similar to that of a halogen lamp with gentle changes in brightness
White Balance	=	White balance	Red,Green, Blue,White	=Individual white balance. Cross-operating mode setting of the 4 RGBW LED groups
Calibrate	=	Correction of the original position of the lens	Zoom	=0-127 correct the minimum angle, 128-255 correct the max angle
Fan Set	=	Fan speed	Auto	=According to the LED temperature to control the fan speed
			High	=The fan at high speed

Test	=	Function test	ALL	=Test all functions
			Zoom	=Test Zoom motro
			BEAM LED	=Test Beam LEDs
Factory Reset	=	Reset to factory set	OFF	=do not perform reset
			ON	= Reset to factory setting
Key lock	=	The key lock switch	OFF	=Key lock closure
			ON	= Key lock closure, As the key lock opens, display screen backlight 30 seconds out, button is locked, need operation buttons, first to ENTER a password to unlock, ENTER the password to operation display panel buttons UP, DOWN, UP, DOWN, press ENTER to unlock,

DIMMER CURVES



DEVICE INFORMATION(System Info)

Pressing MODE will take you to the selection menu for system settings. Using UP and DOWN, select the menu item "System Info" (colored background) and confirm with ENTER. You will then be taken to the

sub-mune to display the device information. Use the UP and DOWN panels again to select the desired submenu item and then press ENTER to retrieve the information.

DMX 23Ch	DMX
DMX Address	001
MODE	Yes
Settings	
System Info	

DMX 23Ch	DMX
Firmware	xxx
Temperature	
Time Info	

DMX 23Ch	DMX
Software Version	
	XXX

DMX 23Ch	DMX
Firmware	xxx
Temperature	
Time Info	

DMX 23Ch	DMX
LED Temp	
Temp Unit	

DMX 23Ch	DMX
LED Temp	
	xxx°C

DMX 23Ch	DMX
LED Temp	
Temp Unit	

DMX 23Ch	DMX
Fahrenheit	Yes
Celsius	

DMX 23Ch	DMX
Firmware	xxx
Temperature	
Time Info	

DMX 23Ch	DMX
Power on	
Last Run Hrs	

DMX 23Ch	DMX
Power on	
	xxx(Hours)

DMX 23Ch	DMX
Power on	
Last Run Hrs	

DMX 23Ch	DMX
Last Run Hrs	
	xxx(Hours)

System Info				
Software Ver	=	Display the device software version		Vxxx
Temp info	=	Temperature display of the LED unit	LED Temp	XxC/xxF
			Temp Unit	Celsius (=display in degrees Celsius)
				Fahrenheit (=display in degrees Fahrenheit)
Time info	=	Operating time display	Power on	Displays the total operating time in hours

			Last run hrs	Displays the operating time since the last operation
--	--	--	--------------	--

Press the MODE button repeatedly to return to the main display. The main display is automatically activated if no input within about 30 seconds.