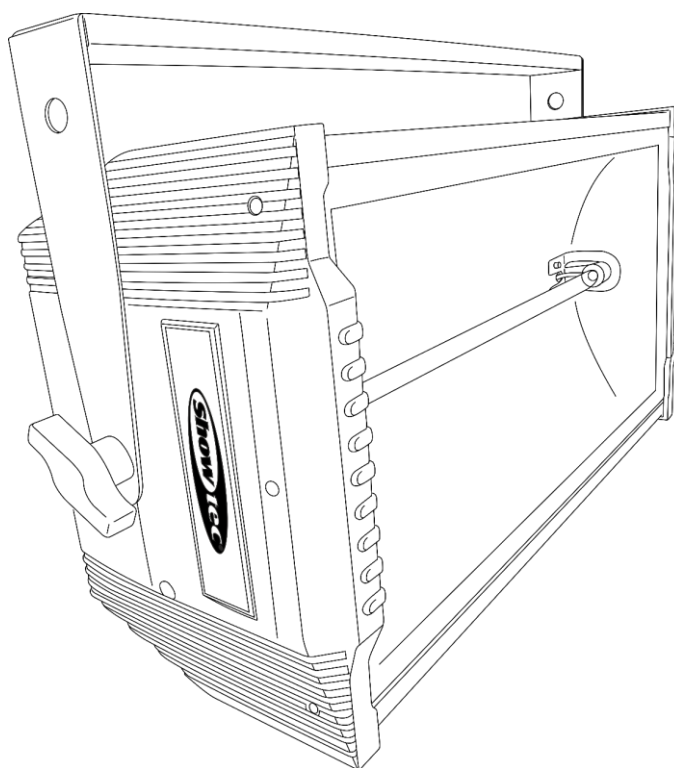




MANUAL



ENGLISH

Titan Strobe

V2

Ordercode: 40222

Table of contents

Warning	2
Unpacking Instructions.....	2
Safety Instructions	2
Operating Determinations	4
Rigging	4
Connection with the mains.....	5
Return Procedure.....	6
Claims.....	6
Description of the device	7
Overview	7
Backside	8
Installation	8
Set Up and Operation	10
Control Modes.....	10
One Titan Strobe (Auto test)	10
One Titan Strobe (Manual mode)	10
Multiple Titan Strobes (DMX Control)	11
DIP Switch Setting for DMX Mode.....	12
Fixture Linking.....	14
Data Cabling.....	14
DMX Channels	15
2 channels	15
Maintenance	15
Changing the Lamp.....	15
Procedure :	9
Replacing the Fuse	15
Troubleshooting	16
No Light	16
Product Specifications	17
Dimensions	18

Warning



**For your own safety, please read this user manual carefully
before your initial start-up!**

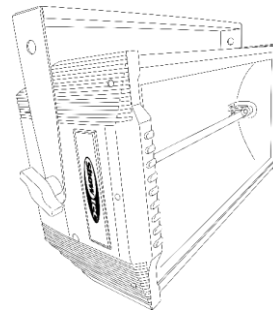


Unpacking Instructions

Immediately upon receiving this product, carefully unpack the carton and check the contents to ensure that all parts are present, and have been received in good condition. Notify the dealer immediately and retain packing material for inspection if any parts appear damaged from shipping or the carton itself shows signs of mishandling. Save the carton and all packing materials. In the event that a fixture must be returned to the factory, it is important that the fixture be returned in the original factory box and packing.

Your shipment includes:

- Showtec Titan Strobe with 1,1 m power cable
- User manual



CAUTION!
Keep this device away from rain and moisture!
Unplug mains lead before opening the housing!



Safety Instructions

Every person involved with the installation, operation and maintenance of this device has to:

- be qualified
- follow the instructions of this manual



CAUTION! Be careful with your operations.
**With a dangerous voltage you can suffer
a dangerous electric shock when touching the wires!**



Before the initial start-up, please make sure that there is no damage caused by transportation. Should there be any, consult your dealer and do not use the device.

To maintain perfect condition and to ensure a safe operation, it is absolutely necessary for the user to follow the safety instructions and warning notes contained in this manual.

Please consider that damages caused by manual modifications to the device are not subject to warranty.

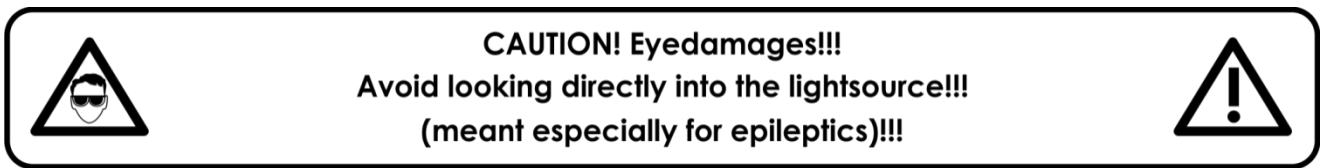
This device contains no user-serviceable parts. Refer to qualified technicians only.

IMPORTANT:

The manufacturer will not accept liability for any resulting damages caused by the non-observance of this manual or any unauthorized modification to the device.

- Never let the power cord come into contact with other cables! Handle the power cord and all connections with the mains with particular caution!
- Never modify, bend, mechanically strain, put pressure on, pull or heat up the power cord.
- Never strain the cable insert or the female part in the device. There must always be sufficient cable going to the device. Otherwise, the cable will be damaged, which can cause serious damage.
- Never remove warning or informative labels from the unit.
- Never use anything to cover the ground contact.
- Never lift the device holding it by the projector-head, as the mechanics may be damaged. Always hold the device by the transport handles.
- Never place any material over the lens.
- Never look directly into the light source.
- Never use the device without the lamp.
- Never ignite the lamp if the objective lens or any housing cover is open, as discharge lamps may expose and emit a high ultraviolet radiation, which may cause burns.
- In case of strobe fixtures: Never operate the stroboscope without protective shield! When the shield is cracked, replace it before using the device again.
- Never leave any cables lying around.
- Never use the device during thunderstorms, unplug the device immediately.
- Never leave various parts of the packaging (plastic bags, polystyrene foam, nails, etc.) within children's reach, as they are potential sources of danger.
- Do not insert objects into air vents.
- Do not open the device and do not modify the device.
- Do not switch the device on and off in short intervals, as this will reduce the device's life.
- Do not touch the device's housing bare-handed during its operation (housing becomes very hot). Allow the device to cool for at least 5 minutes before handling.
- Do not shake the device. Avoid brute force when installing or operating the device.
- Do not install lamps of higher wattage.
- Only use the appropriate lamp for your unit. Note that product versions, that use other lamps, may be offered in the future. Check your product specification label for information.
- Only use the device indoors, avoid contact with water or other liquids (only applies to devices with IP<=65).
- Only operate the device after having checked if the housing is firmly closed and all screws are tightly fastened.
- Only operate the device after having familiarized with its functions.
- Avoid flames and do not put close to flammable liquids or gases.
- Always replace the lamp, when it is damaged or deformed due to the heat.
- Always keep the case closed while operating.
- Always allow a free air space of at least 50 cm around the unit for ventilation.
- Always disconnect power from the mains, when device is not used, before cleaning or when replacing lamp! Only handle the power cord holding it by the plug. Never pull out the plug by tugging the power cord.
- Make sure that the device is not exposed to extreme heat, moisture or dust.
- Make sure that the available voltage is not higher than stated on the rear panel.
- Make sure that the power cord is never crimped or damaged. Check the device and the power cord from time to time.
- Make sure that the core diameter of extension cords and power cords is sufficient for the required power consumption of the device.
- If the lens is obviously damaged, it has to be replaced to prevent its functions from being impaired, due to cracks or deep scratches.
- If the external cable is damaged, it has to be replaced by a qualified technician.
- If device was dropped or struck, disconnect mains power supply immediately. Have a qualified engineer inspect for safety before operating.
- If the device has been exposed to drastic temperature fluctuation (e.g. after transportation), do not switch it on immediately. The arising condensation water might damage your device. Leave the device switched off until it has reached room temperature.

- If your Showtec device fails to work properly, discontinue the use immediately. Pack the unit securely (preferably in the original packing material), and return it to your Showtec dealer for service.
- For adult use only. The device must be installed beyond the reach of children. Never leave the unit running unattended.
- Never attempt to bypass the thermostatic switch or fuses.
- For replacement use fuses of same type and rating only.
- The user is responsible for correct positioning and operating of the device. The manufacturer will not accept liability for damages caused by the misuse or incorrect installation of this device.
- This device falls under protection class I. Therefore it is essential to connect the yellow/green conductor to earth.
- During the initial start-up, some smoke or smell may arise. This is a normal process and does not necessarily mean that the device is defective.
- Allow time to cool down, before replacing lamp.
- For replacement use lamps of same type and rating only.
- Repairs, servicing and electric connection must be carried out by a qualified technician.
- WARRANTY: Till one year after date of purchase.



Operating Determinations

- This device is not designed for permanent operation. Consistent operation breaks will ensure that the device will serve you for a long time without defects.
- The minimum distance between light output and the illuminated surface must be bigger than 1 meter. (This distance may differ depending on the model. The exact minimum distance will be mentioned in the corresponding manual.)
- To eliminate wear and improve lifespan, during periods of non-use, completely disconnect from power via breaker or by unplugging.
- The maximum ambient temperature $t_a = 40^\circ\text{C}$ must never be exceeded.
- The relative humidity must not exceed 50 % with an ambient temperature of 40°C .
- If this device is operated in any other way than the one described in this manual, the product may suffer damages and the warranty becomes void.
- Any other operation may lead to dangers like short-circuit, burns, electric shock, crash, etc.

You endanger your own safety and the safety of others!

Rigging

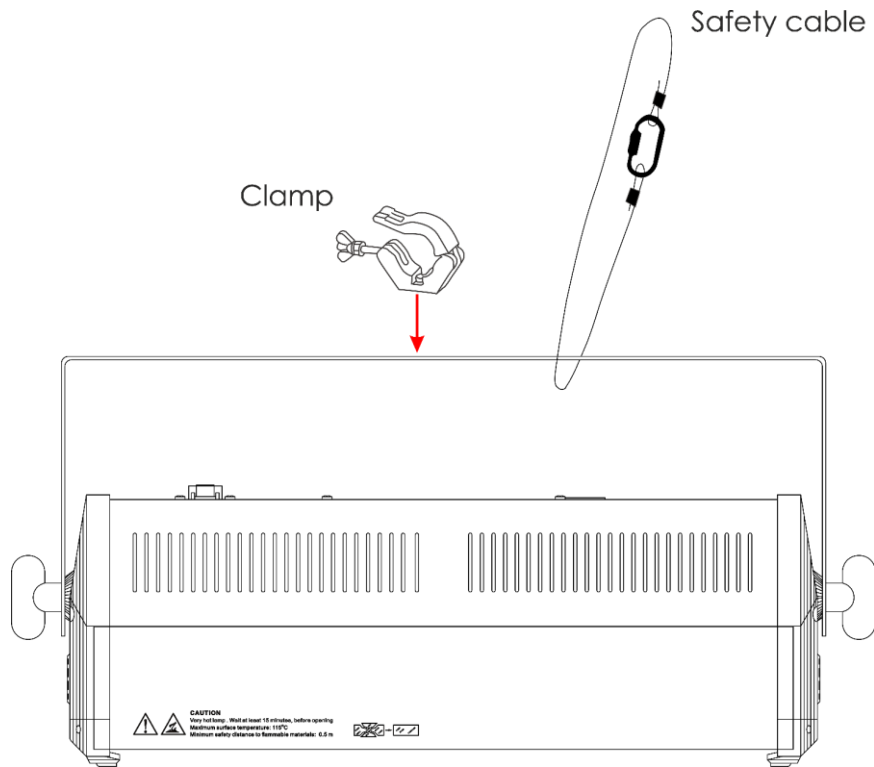
Please follow the European and national guidelines concerning rigging, trussing and all other safety issues.

Do not attempt the installation yourself !

Always let the installation be carried out by an authorized dealer!

Procedure:

- If the device is lowered from the ceiling or high joists, professional trussing systems have to be used.
- Use a clamp to mount the device, with the mounting bracket, to the trussing system.
- The device must never be fixed swinging freely in the room.
- The installation must always be secured with a safety attachment, e.g. an appropriate safety net or safety cable.
- When rigging, de-rigging or servicing the device, always make sure, that the area below the installation site is secured and that there are not any unauthorized people around.



The Titan Strobe can be placed on a flat stage floor or mounted to any kind of truss with a clamp.

Improper installation can cause serious injuries to people and/or damage of property !

Connection with the mains

Connect the device to the mains with the power plug.

Always check if the right color cable is connected to the right place.

International	EU Cable	UK Cable	US Cable	Pin
L	BROWN	RED	YELLOW/COPPER	PHASE
N	BLUE	BLACK	SILVER	NEUTRAL
	YELLOW/GREEN	GREEN	GREEN	PROTECTIVE GROUND

Make sure that the device is always properly connected to the earth!

Improper installation can cause serious injuries to people and/or damage of property!





Return Procedure



Returned merchandise must be sent prepaid and in the original packing, call tags will not be issued. Package must be clearly labeled with a Return Authorization Number (RMA number). Products returned without an RMA number will be refused. Highlite will not accept the returned goods or any responsibility. Call Highlite 0031-455667723 or mail offersales@highlite.nl and request an RMA prior to shipping the fixture. Be prepared to provide the model number, serial number and a brief description of the cause of the return. Be sure to properly pack fixture as any shipping damage resulting from inadequate packaging is the customer's responsibility. Highlite reserves the right to use its own discretion to repair or replace product(s). As a suggestion, proper UPS packing or double-boxing is always a safe method to use.

Note: If you are given an RMA number, please include the following information on a piece of paper inside the box:

- 01) Your name.
- 02) Your address.
- 03) Your phone number.
- 04) A brief description of the symptoms.

Claims

The client has the obligation to check the delivered goods immediately upon delivery for any shortcomings and/or visible defects, or perform this check after our announcement that the goods are at their disposal. Damage incurred in shipping is the responsibility of the shipper; therefore the damage must be reported to the carrier upon receipt of merchandise.

It is the customer's responsibility to notify and submit claims with the shipper in the event that the fixture is damaged due to shipping. Transportation damage has to be reported to us within one day after receipt of the delivery.

Any return shipment has to be made post-paid at all times. Return shipments must be accompanied with a letter defining the reason for return shipment. Non-prepaid return shipments will be refused, unless agreed otherwise in writing.

Complaints against us must be made known in writing or by fax within 10 working days after receipt of the invoice. After this period, complaints will not be handled anymore.

Complaints will only be considered if the client has so far complied with all parts of the agreement, regardless of the agreement of which the obligation is resulting.

Description of the device

Features

The Showtec Titan Strobe is a strobe with high output and great effects.

- 1500W Strobe
- Input voltage: 230V AC, 50Hz
- Flash rate: 1-15 Flashes/sec
- DMX channels: 2
- Lamp included: PX-1500 (**Ordercode:** [82690](#))
- Housing: Blue and black aluminum
- Fuse: 16A/250V
- Dimensions: 440 mm x 160 mm x 225 mm (LxWxH) (excl. bracket)
- Weight: 3,7 kg

Overview

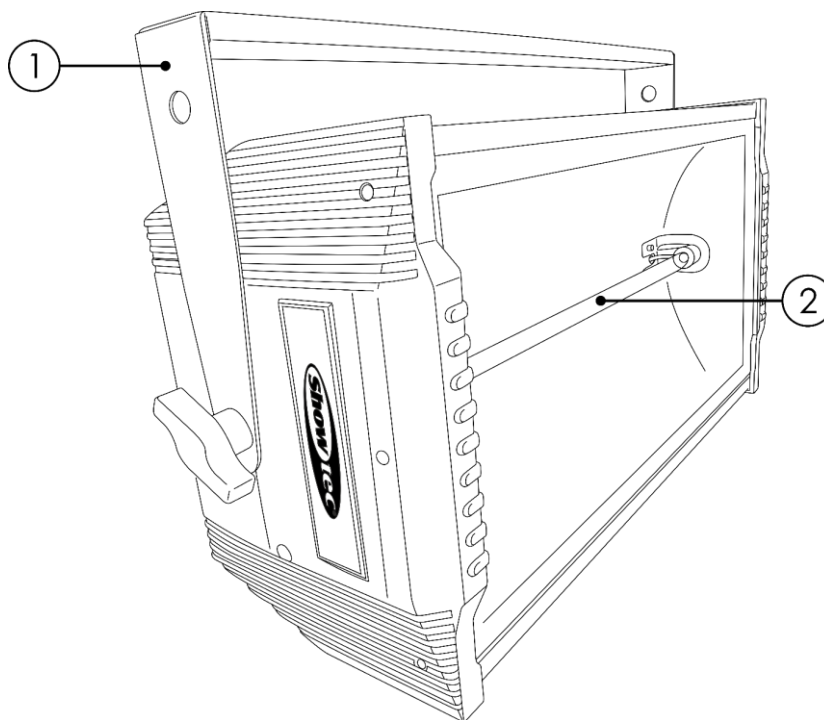


Fig. 01

- 01) Mounting bracket with inclination screws
02) Strobe light PX-1500 (**Ordercode:** [82690](#))

Backside

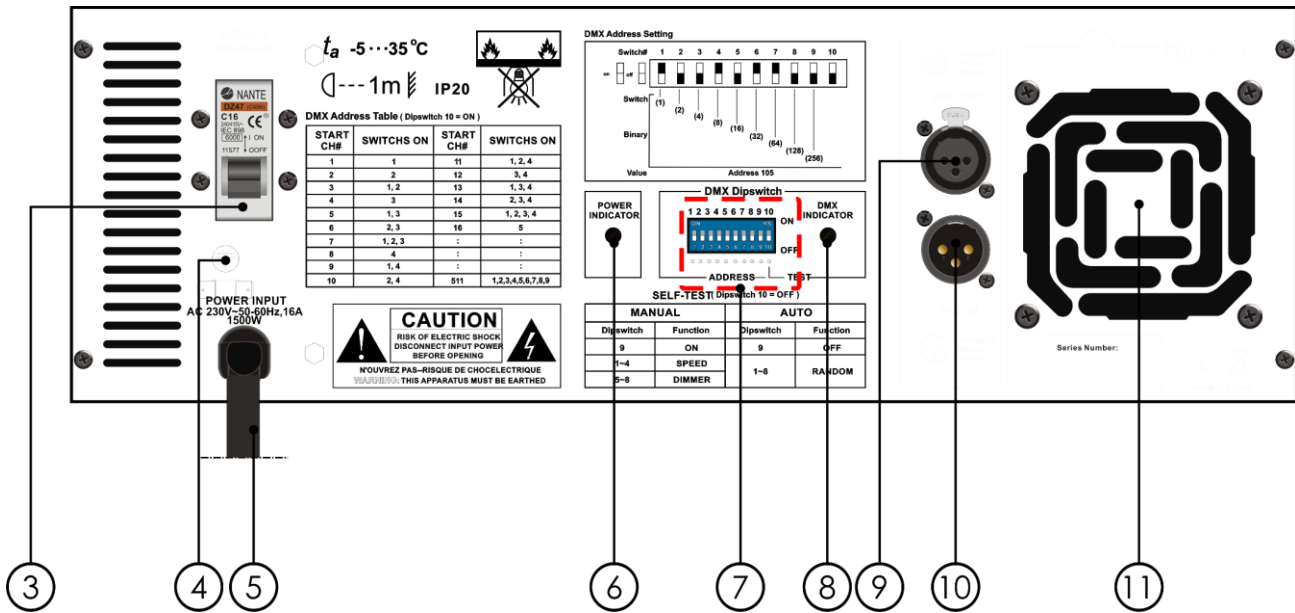


Fig. 02

- 03) Circuit breaker: This circuit breaker will cut off the power supply if the current load exceeds 16A
- 04) Ground/Earth connection
- 05) Power cable
- 06) Power LED indicator
- 07) DMX DIP switches
- 08) DMX LED indicator
- 09) 3-pin DMX signal connector (OUT)
- 10) 3-pin DMX signal connector (IN)
- 11) Cooling Fan

Installation

Remove all packing materials from the Titan Strobe. Check if all foam and plastic padding is removed. Connect all cables.

Do not supply power before the whole system is set up and connected properly.

Always disconnect from electric mains power supply before cleaning or servicing.

Damages caused by non-observance are not subject to warranty.

Installing the lamp

The Showtec Titan Strobe uses the Showtec PX-1500 Xenon flashtube lamp, 1500W (**ordercode 82690**). Use only the appropriate lamp for your unit. Note that product versions, that use other lamps, may be offered in the future. Check your product specification label for information.

Always disconnect from electric mains power supply before changing lamps.

The lamp has to be replaced when it is damaged or deformed due to the heat.

Do not install lamps of higher wattage! Lamps of higher wattage generate temperatures which the device was not designed for.

Damages caused by non-observance are not subject to warranty.



DANGEROUS: Leave the device disconnected for 15 minutes, before opening. Otherwise, you risk electrocution.



Procedure:

- 01) Disconnect the Strobe from the main power supply and let the device cool down for 15 minutes.
- 02) Remove the bracket (Fig.03).
- 03) Unscrew the 3 screws at the top on both sides (Fig.04).
- 04) Remove the 2 panels at the top (Fig.04).
- 05) Remove the glass cover (Fig.04).
- 06) With the left hand gently pull the lamp out the spring, while pushing the spring back with the right hand.
- 07) Remove the lamp. Read lamp instructions. Do not touch the lamp bulb glass. Oil on hands shortens the lamp life. (If you touch the bulb glass, wipe off the glass with a clean, lint-free towel and rubbing alcohol.) Hold the lamp with one hand and Insert the lamp into the spring.
- 08) Put the glass cover back.
- 09) Replace the side panels and tighten the screws.
- 10) The Titan Strobe is ready for use.

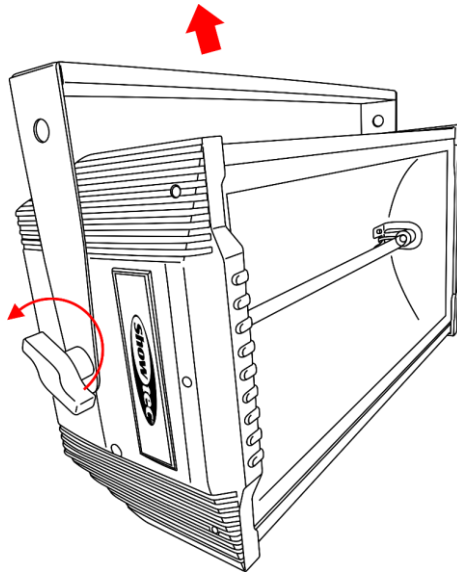


Fig. 03

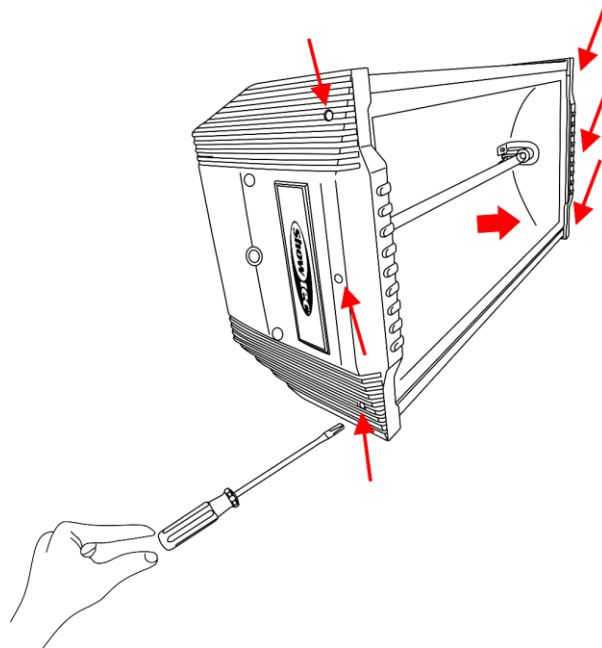


Fig. 04

Set Up and Operation

Follow the directions below, as they pertain to your preferred operation mode.
 Before plugging the unit in, always make sure that the power supply matches the product specification voltage. Do not attempt to operate a 120V specification product on 230V power, or vice versa.

Control Modes

- There are 3 modes:
- Auto test
 - Manual mode
 - DMX-512 (2CH)

One Titan Strobe (Auto test)

- 01) Fasten the effect light to a firm trussing. Leave at least 0,5 meter on all sides for air circulation.
- 02) Always use a safety cable (ordercode 70140 / 70141).
- 03) Plug the end of the electric mains power cord into a proper electric power supply socket.
- 04) When the Titan strobe is not connected with a DMX cable, it functions as a stand-alone device. Dipswitch #9 must be set to **OFF** to activate the Auto test program. Dipswitches #1 to #8 must be set to **ON** to activate several random programs.

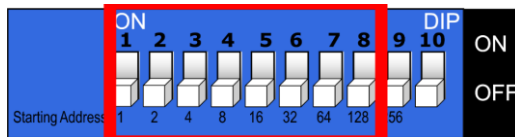


Fig. 05

One Titan Strobe (Manual mode)

- 05) Fasten the effect light to a firm trussing. Leave at least 0,5 meter on all sides for air circulation.
- 06) Always use a safety cable (ordercode 70140 / 70141).
- 07) Plug the end of the electric mains power cord into a proper electric power supply socket.
- 08) When the Titan strobe is not connected with a DMX cable, it functions as a stand-alone device. Dipswitch #9 must be set to **ON** to activate the Manual mode. Dipswitches #1 to #4 must be set to **ON** to control the speed. Dipswitches #5 to #8 must be set to **ON** to control the dimmer.

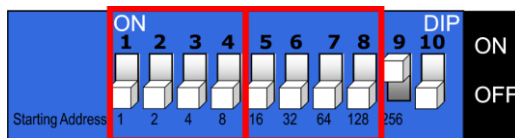


Fig. 06

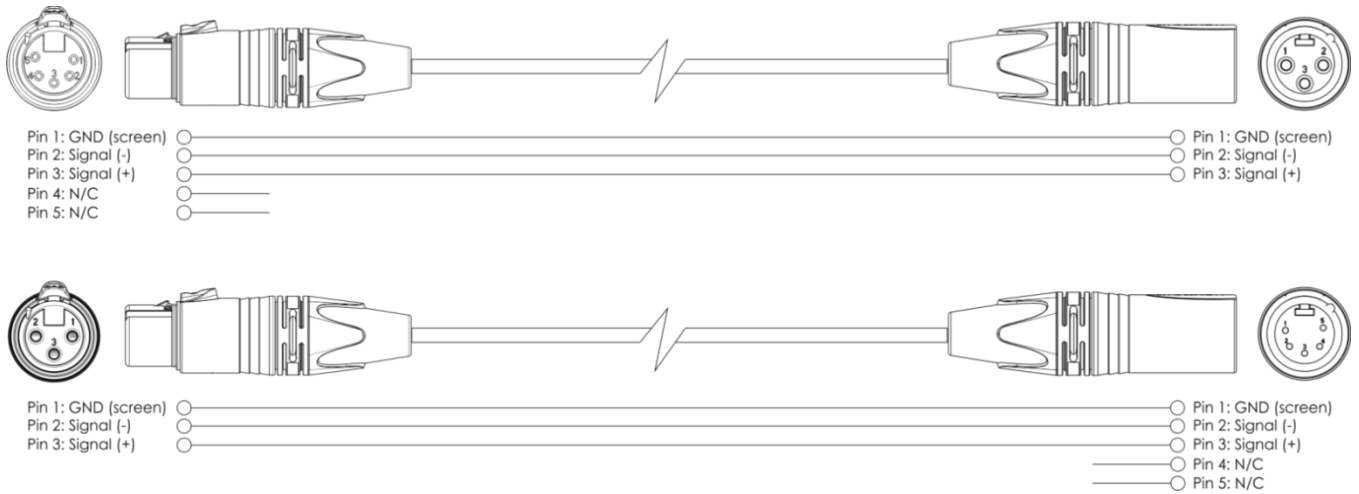
= ON = OFF

Level	Dip switch				Speed	Level	Dip switch				Dimmer
	1	2	3	4			5	6	7	8	
1					Slowest Fastest	1					Min. Max.
2						2					
3						3					
4						4					
5						5					
6						6					
7						7					
8						8					
9						9					
10						10					
11						11					
12						12					
13						13					
14						14					
15						15					
16						16					

Fig. 07

Multiple Titan Strobes (DMX Control)

- 01) Fasten the effect light to a firm trussing. Leave at least 0,5 meter on all sides for air circulation.
- 02) Always use a safety cable (ordercode 70140 / 70141).
- 03) Use a 3-pin XLR cable to connect the Titan Strobes and other devices.



- 04) Link the units as shown in Fig. 08. Connect the first unit's DMX "out" socket with the second unit's "in" socket, using a DMX-signal cable. Repeat this process to link the second and third unit.
- 05) Supply electric power: Plug the other end of the mains power cord into proper electric power supply sockets, starting with the first unit. Do not supply power before the whole system is set up and connected properly.

Multiple Titan Strobes DMX Set Up

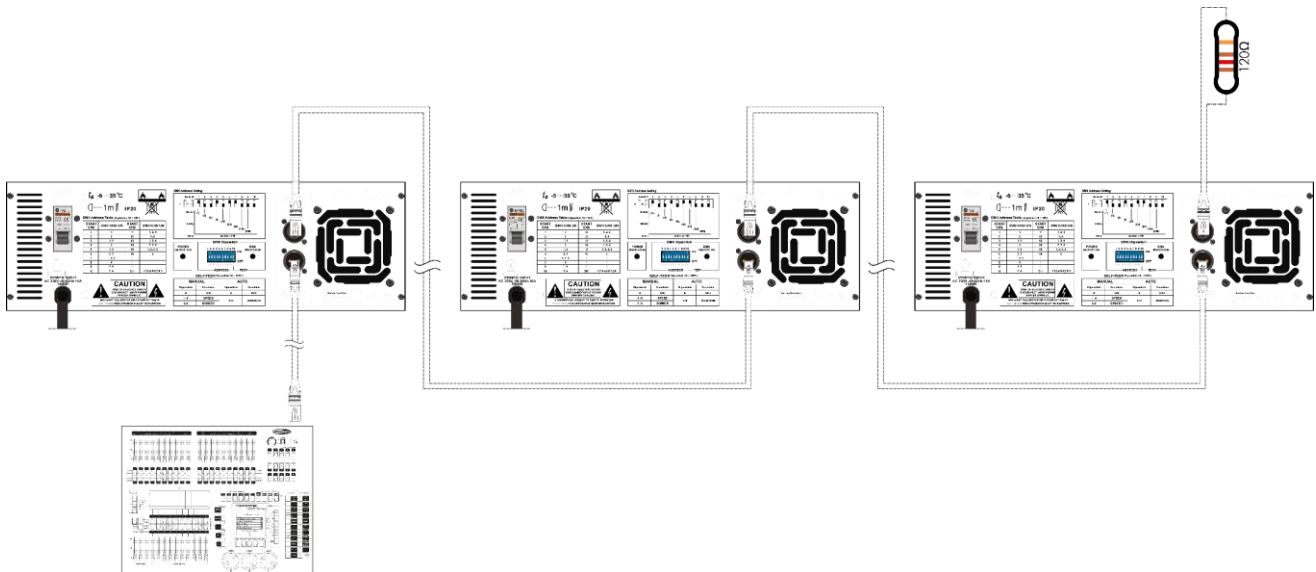


Fig. 08

Note: Link all cables before connecting electric power

Controlling:

After having addressed all Titan Strobe fixtures, you may now start operating these via your lighting controller.

Note: After switching on, the Titan Strobe will automatically detect whether DMX 512 data is received or not. If there is no data received at the DMX-input, the problem may be:

- The XLR cable from the controller is not connected with the input of the Titan Strobe.
- The controller is switched off or defective, the cable or connector is defective, or the signal wires are swapped in the input connector.

Note: It is necessary to insert an XLR termination plug (with 120 Ohm) in the last fixture in order to ensure proper transmission on the DMX data link.

DIP Switch Setting for DMX Mode

DMX products must have their own "address" to receive DMX signals. Addresses on the controller are set by flipping the appropriate DMX DIP switches #1 - #9. In DMX mode, the DIP switch #10 must be set to **ON**.

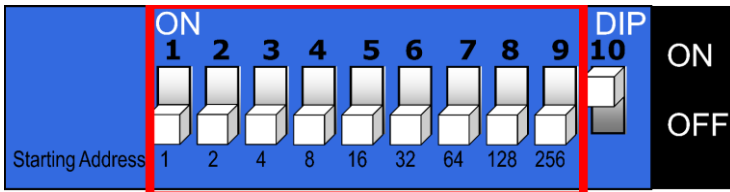
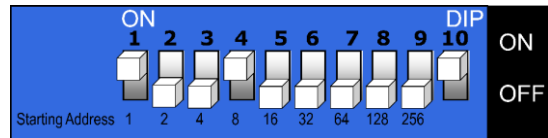


Fig. 09

Set various DMX addresses by summing the DIP switch values. A standard DMX address for a 2-channel Titan Strobe is as follows:

Example

Titan strobe	Address Value	DMX DIP Switches ON
Unit 5	9	#1, #4
Switch	Value	
#1	1	
#4	8	
Total sum:	9	



Explanation: Since each unit has 2 channels, each address advances by 2 values (See Address Value above).

Once the address values have been determined, add DIP switch values to obtain the appropriate address (DMX DIP Switches ON) for each unit. Flip the appropriate DIP switches on each unit.

Example:

- 01) If you want to give the Titan Strobe a DMX address of 133, you first have to find the number 133 in the DMX Chart.
- 02) Then look at the left side (DIP Switches #1-5) horizontally from 133. In the table you will see #1=ON, #2=OFF, #3=ON, #4=OFF, #5=OFF.
- 03) Finally, look at the upper side of the table (DIP Switches #6-9) vertically from 133. In the table you will see #6=OFF, #7=OFF, #8=ON, #9=OFF.

DMX Address Quick Reference Chart

DMX DIP SWITCH SET					
0=OFF					
1=ON					
#1	#2	#3	#4	#5	
0	0	0	0	0	#8 0 0 0 0 1 1
1	0	0	0	0	#7 0 0 1 1 0 0
0	1	0	0	0	#6 0 1 0 1 0 1
1	1	0	0	0	
0	0	1	0	0	
1	0	1	0	0	
0	1	1	0	0	

	32	64	96	128	160
1	33	65	97	129	161
2	34	66	98	130	162
3	35	67	99	131	163
4	36	68	100	132	164
5	37	69	101	133	165
6	38	70	102	134	166

DMX Address Quick Reference Chart

Dip Switch Position

DMX DIP SWITCH SET 0=OFF 1=ON																				
#9	0	0	0	0	0	0	0	0	0	1	1	1	1	1	1	1	1			
#8	0	0	0	0	1	1	1	1	0	0	0	0	1	1	1	1				
#7	0	0	1	1	0	0	1	1	0	0	1	1	0	0	1	1				
#6	0	1	0	1	0	1	0	1	0	1	0	1	0	1	0	1				
#1	#2	#3	#4	#5																
0	0	0	0	0	32	64	96	128	160	192	224	256	288	320	352	384	416	448	480	
1	0	0	0	0	1	33	65	97	129	161	193	225	257	289	321	353	385	417	449	481
0	1	0	0	0	2	34	66	98	130	162	194	226	258	290	322	354	386	418	450	482
1	1	0	0	0	3	35	67	99	131	163	195	227	259	291	323	355	387	419	451	483
0	0	1	0	0	4	36	68	100	132	164	196	228	260	292	324	356	388	420	452	484
1	0	1	0	0	5	37	69	101	133	165	197	229	261	293	325	357	389	421	453	485
0	1	1	0	0	6	38	70	102	134	166	198	230	262	294	326	358	390	422	454	486
1	1	1	0	0	7	39	71	103	135	167	199	231	263	295	327	359	391	423	455	487
0	0	0	1	0	8	40	72	104	136	168	200	232	264	296	328	360	392	424	456	488
1	0	0	1	0	9	41	73	105	137	169	201	233	265	297	329	361	393	425	457	489
0	1	0	1	0	10	42	74	106	138	170	202	234	266	298	330	362	394	426	458	490
1	1	0	1	0	11	43	75	107	139	171	203	235	267	299	331	363	395	427	459	491
0	0	1	1	0	12	44	76	108	140	172	204	236	268	300	332	364	396	428	460	492
1	0	1	1	0	13	45	77	109	141	173	205	237	269	301	333	365	397	429	461	493
0	1	1	1	0	14	46	78	110	142	174	206	238	270	302	334	366	398	430	462	494
1	1	1	1	0	15	47	79	111	143	175	207	239	271	303	335	367	399	431	463	495
0	0	0	0	1	16	48	80	112	144	176	208	240	272	304	336	368	400	432	464	496
1	0	0	0	1	17	49	81	113	145	177	209	241	273	305	337	369	401	433	465	497
0	1	0	0	1	18	50	82	114	146	178	210	242	274	306	338	370	402	434	466	498
1	1	0	0	1	19	51	83	115	147	179	211	243	275	307	339	371	403	435	467	499
0	0	1	0	1	20	52	84	116	148	180	212	244	276	308	340	372	404	436	468	500
1	0	1	0	1	21	53	85	117	149	181	213	245	277	309	341	373	405	437	469	501
0	1	1	0	1	22	54	86	118	150	182	214	246	278	310	342	374	406	438	470	502
1	1	1	0	1	23	55	87	119	151	183	215	247	279	311	343	375	407	439	471	503
0	0	0	1	1	24	56	88	120	152	184	216	248	280	312	344	376	408	440	472	504
1	0	0	1	1	25	57	89	121	153	185	217	249	281	313	345	377	409	441	473	505
0	1	0	1	1	26	58	90	122	154	186	218	250	282	314	346	378	410	442	474	506
1	1	0	1	1	27	59	91	123	155	187	219	251	283	315	347	379	411	443	475	507
0	0	1	1	1	28	60	92	124	156	188	220	252	284	316	348	380	412	444	476	508
1	0	1	1	1	29	61	93	125	157	189	221	253	285	317	349	381	413	445	477	509
0	1	1	1	1	30	62	94	126	158	190	222	254	286	318	350	382	414	446	478	510
1	1	1	1	1	31	63	95	127	159	191	223	255	287	319	351	383	415	447	479	511

Dip Switch Position

DMX Address

Fixture Linking

You will need a serial data link to run light shows of one or more fixtures using a DMX-512 controller or to run synchronized shows of two or more fixtures set to a master/slave operating mode. The combined number of channels required by all the fixtures on a serial data link determines the number of fixtures the data link can support.

Important: Fixtures on a serial data link must be daisy-chained in a single line. To comply with the EIA-485 standard, no more than 30 devices should be connected on one data link. Connecting more than 30 fixtures on one serial data link without the use of a DMX optically isolated splitter may result in deterioration of the digital DMX signal.



Maximum recommended DMX data link distance: 100 meters
Maximum recommended number of fixtures on a DMX data link: 30 fixtures

Data Cabling

To link fixtures together, you must obtain data cables. You can purchase DAP Audio certified DMX cables directly from a dealer/distributor or construct your own cable. If you choose to create your own cable, please use data-grade cables that can carry a high quality signal and are less prone to electromagnetic interference.

DAP Audio DMX Data Cables

- DAP Audio Basic microphone cable for allround use. bal. XLR/M 3-pin > XLR/F 3-pin. **Ordercode** FL01150 (1,5 m), FL013 (3 m), FL016 (6 m), FL0110 (10 m), FL0115 (15 m), FL0120 (20 m).
- DAP Audio X-type data cable XLR/M 3-pin > XLR/F 3-pin. **Ordercode** FLX0175 (0,75 m), FLX01150 (1,5 m), FLX013 (3 m), FLX016 (6 m), FLX0110 (10 m).
- DAP Audio cable for the demanding user with exceptional audio-qualities and connector made by Neutrik®. **Ordercode** FL71150 (1,5 m), FL713 (3 m), FL716 (6 m), FL7110 (10 m).
- DAP Audio cable for the demanding user with exceptional audio-qualities and connector made by Neutrik®. **Ordercode** FL7275 (0,75 m), FL72150 (1,5 m), FL723 (3 m), FL726 (6 m), FL7210 (10 m).
- DAP Audio 110 Ohm cable with digital signal transmission. **Ordercode** FL0975 (0,75 m), FL09150 (1,5 m), FL093 (3 m), FL096 (6 m), FL0910 (10 m), FL0915 (15 m), FL0920 (20 m).
- DAP Audio data cable FL08 DMX/AES-EBU, XLR/M 5-pin > XLR/F 5-pin. **Ordercode** FL08150 (1,5 m), FL083 (3 m), FL086 (6 m), FL0810 (10 m), FL0820 (20 m).
- DAP Audio DMX adapter: 5-pin/3-pin. **Ordercode** FLA29.
- DAP Audio DMX adapter: 3-pin/5-pin. **Ordercode** FLA30.

The Titan Strobe can be operated with a controller in **control mode** or without the controller in **stand-alone mode**.

DMX Channels

2 channels

Channel 1 – Speed flash

0-255 Gradual speed adjustment, from slow to fast

Channel 2 – Dimmer intensity

0-255 Gradual adjustment, from dark to brightest 0-100%

Maintenance

The Showtec Titan Strobe requires almost no maintenance. However, you should keep the unit clean. Otherwise, the fixture's light-output will be significantly reduced.

Disconnect the mains power supply and then wipe the cover with a damp cloth. Wipe the front glass panel clean with glass cleaner and a soft cloth. Do not use alcohol or solvents. The front glass panel will require weekly cleaning, as smoke-fluid tends to build up residues, reducing the light-output very quickly. Do not immerse in liquid.

Keep connections clean. Disconnect electric power, and then wipe the DMX and audio connections with a damp cloth. Make sure connections are thoroughly dry before linking equipment or supplying electric power.

The operator has to make sure that safety-relating and machine-technical installations are to be inspected by an expert after every year in the course of an acceptance test.

The operator has to make sure that safety-relating and machine-technical installations are to be inspected by a skilled person once a year.

The following points have to be considered during the inspection:

- 01) All screws used for installing the device or parts of the device have to be tightly connected and must not be corroded.
- 02) There may not be any deformations on housings, fixations and installation spots.
- 03) Mechanically moving parts like axles, eyes and others may not show any traces of wearing.
- 04) The electric power supply cables must not show any damages or material fatigue.

Changing the Lamp

- 01) Disconnect mains power supply. Allow the fixture to cool for at least 15 minutes before handling and replacing lamp.
- 02) Read lamp instructions.
- 03) Follow directions for installing a new lamp pages 9-11.

Replacing the Fuse

You don't have to replace a fuse on this device. The fuse is an automatic fuse, which means in case of a power surge, short-circuit or inappropriate electrical power supply, you simply have to flip the switch on the back, and the strobe will function as before.

You may want to check why the problem occurred, so you can prevent this in the future.

Troubleshooting

This troubleshooting guide is meant to help solve simple problems.

If a problem occurs, carry out the steps below in sequence until a solution is found. Once the unit operates properly, do not carry out following steps.

No Light

If the light effect does not operate properly, refer servicing to a technician.

Suspect three potential problem areas as: the power supply, the lamp, the fuse.

- 01) Power supply. Check if the unit is plugged into an appropriate power supply.
- 02) The lamp. Return the Titan strobe to your Showtec dealer.
- 03) If all of the above appears to be O.K., plug the unit in again.
- 04) If you are unable to determine the cause of the problem, do not open the Titan Strobe, as this may damage the unit and the warranty will become void.
- 05) Return the device to your Showtec dealer.

Problem	Probable cause(s)	Solution
One or more fixtures do not function at all	No power to the fixture	<ul style="list-style-type: none"> • Check if power is switched on and cables are plugged in
No light or lamp cuts out intermittently	Fixture is too hot	<ul style="list-style-type: none"> • Allow the fixture to cool down • Clean the fan • Make sure air vents in control panel and the front lens are not blocked • Turn up the air conditioning
	Lamp damaged	<ul style="list-style-type: none"> • Disconnect the fixture and replace the lamp
	The power supply settings do not match local AC voltage and frequency	<ul style="list-style-type: none"> • Disconnect fixture. Check settings and correct if necessary

Product Specifications

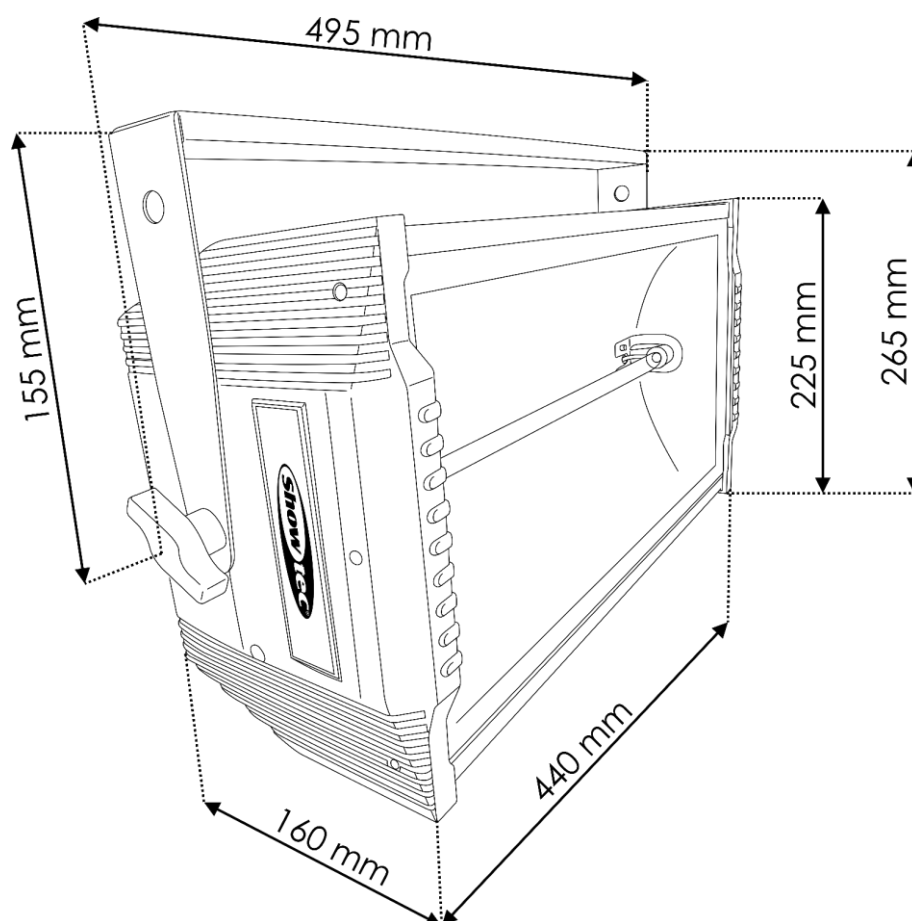
Model:	Showtec Titan strobe
Input Voltage:	230V AC, 50Hz
Fuse:	16A/250V
Dimensions:	440 mm x 160 mm x 225 mm (LxWxH) (excl. bracket)
Weight:	3,7 kg
Electro-mechanical effects:	
Housing:	Blue and black aluminum
Flash rate:	1-15 Flashes/sec (max)
Plug & Play	
Lamp	
82690 PX-1500 Xenon Flashtube (5600K; 1500W)*	
Max. ambient temperature t_a :	40°C
Max. housing temperature t_B :	80°C
Minimum distance:	
Minimum distance from flammable surfaces:	0,5 m
Minimum distance to lighted object:	1 m

Design and product specifications are subject to change without prior notice



Website: www.Showtec.info
 Email: service@highlite.nl

Dimensions





©2018 Showtec