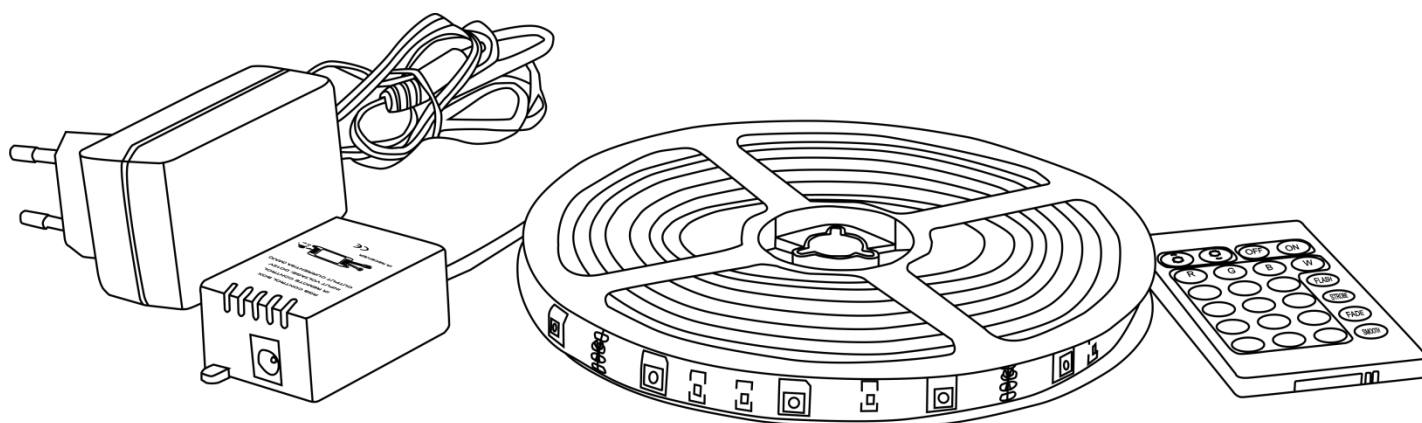




MANUAL



ENGLISH

Flexstrip Set RGB

V1

Ordercode: 42775

Table of contents

| | |
|--|----|
| Warning | 2 |
| Safety Instructions | 2 |
| Operating Determinations | 4 |
| Connection with the mains..... | 4 |
| Return Procedure..... | 5 |
| Claims..... | 5 |
| Description of the device | 6 |
| Overview | 6 |
| Installation | 7 |
| Connecting Flexstrip Set RGB | 7 |
| Set Up and Operation | 8 |
| Remote control | 8 |
| Maintenance | 10 |
| Troubleshooting | 10 |
| No Light | 10 |
| Product Specifications | 11 |
| Notes | 12 |

Warning



**For your own safety, please read this user manual carefully
before your initial start-up!**

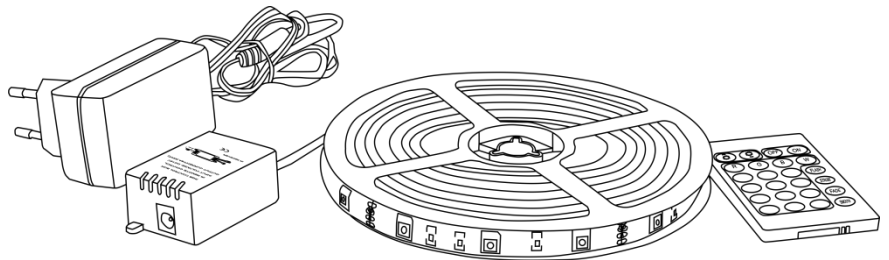


Unpacking Instructions

Immediately upon receiving this product, carefully unpack the carton and check the contents to ensure that all parts are present, and have been received in good condition. Notify the dealer immediately and retain packing material for inspection if any parts appear to be damaged from shipping or the carton itself shows signs of mishandling. Save the carton and all packing materials. In the event that the fixture must be returned to the factory, it is important that the fixture be returned in the original factory box and packing.

Your shipment includes:

- Showtec Flexstrip RGB 500cm
- Powersupply
- RGB controller
- Remote control
- User manual



LED Expected Lifespan

LEDs gradually decline in brightness over time. HEAT is the dominant factor that leads to the acceleration of this decline. Packaged in clusters, LEDs exhibit higher operating temperatures than in ideal or singular optimum conditions. For this reason when all color LEDs are used at their fullest intensity, life of the LEDs is significantly reduced. If improving the lifespan is of higher priority, place care in providing for lower operational temperatures. This may include climatic-environmental and the reduction of overall projection intensity



CAUTION!

**Keep this device away from rain and moisture!
Unplug mains lead before opening the housing!**



Safety Instructions

Every person involved with the installation, operation and maintenance of this device has to:

- be qualified
- follow the instructions of this manual



**CAUTION! Be careful with your operations.
With a dangerous voltage you can suffer
a dangerous electric shock when touching the wires!**



Before your initial start-up, please make sure that there is no damage caused by transportation. Should there be any, consult your dealer and do not use the device.

To maintain perfect condition and to ensure a safe operation, it is absolutely necessary for the user to follow the safety instructions and warning notes written in this manual.

Please consider that damages caused by manual modifications to the device are not subject to warranty.

This device contains no user-serviceable parts. Refer servicing to qualified technicians only.

IMPORTANT:

The manufacturer will not accept liability for any resulting damages caused by the non-observance of this manual or any unauthorized modification to the device.

- Never let the power cord come into contact with other cables! Handle the power cord and all connections with the mains with particular caution!
- Never remove warning or informative labels from the unit.
- Never use anything to cover the ground contact.
- Never place any material over the LEDs.
- Never look directly into the light source.
- Never leave any cables lying around.
- Never use the Flexstrip in sealed or hot places.
- Do not connect this device to a dimmerpack.
- Do not switch the device on and off in short intervals, as this will reduce the device's life.
- Do not shake the device. Avoid brute force when installing or operating the device.
- Only use the device indoors, avoid contact with water or other liquids.
- Only operate the device after having familiarized with its functions.
- Avoid flames and do not put close to flammable liquids or gases.
- Always disconnect power from the mains, when device is not used or before cleaning! Only handle the power cord holding it by the plug. Never pull out the plug by tugging the power cord.
- Always mount the Flexstrip on aluminum or metal surface, for best heat dissipation.
- Make sure that the device is not exposed to extreme heat, moisture or dust.
- Make sure that the available voltage is not higher than stated on the rear panel.
- Make sure that the power cord is never crimped or damaged. Check the device and the power cord from time to time.
- If the LEDs are obviously damaged, it has to be replaced.
- If device was dropped or struck, disconnect mains power supply immediately. Have a qualified engineer inspect for safety before operating.
- If the device has been exposed to drastic temperature fluctuation (e.g. after transportation), do not switch it on immediately. The arising condensation water might damage your device. Leave the device switched off until it has reached room temperature.
- If your Showtec device fails to work properly, discontinue the use immediately. Pack the unit securely (preferably in the original packing material), and return it to your Showtec dealer for service.
- The user is responsible for correct positioning and operating of the Flexstrip. The manufacturer will not accept liability for damages caused by the misuse or incorrect installation of this device.
- This device falls under protection class I. Therefore it is essential to connect the yellow/green conductor to earth.
- Repairs, servicing and electric connection must be carried out by a qualified technician.
- **WARRANTY:** Till one year after date of purchase.



CAUTION! Eyedamages!!!
Avoid looking directly into the lightsource!!!
(meant especially for epileptics)!!!



Operating Determinations

- This device is not designed for permanent operation. Regular operation breaks will ensure that the device will serve you for a long time without defects.
- The minimum distance between light-output and the illuminated surface must be bigger than 0,5 meter.
- The maximum ambient temperature $t_a = 40^{\circ}\text{C}$ must never be exceeded.
- The relative humidity must not exceed 50 % with an ambient temperature of 40°C .
- If this device is operated in any other way than the one described in this manual, the product may suffer damages and the warranty becomes void.
- Any other operation may lead to dangers like short-circuit, burns, electric shock, crash etc.


You endanger your own safety and the safety of others!

Improper installation can cause serious injuries and/or damage of property!

Connection with the mains

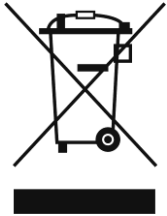
Connect the device to the mains with the power plug.

Always check if the right color cable is connected to the right place.

| International | EU Cable | UK Cable | US Cable | Pin |
|---|--------------|----------|---------------|-------------------|
| L | BROWN | RED | YELLOW/COPPER | PHASE |
| N | BLUE | BLACK | SILVER | NEUTRAL |
|  | YELLOW/GREEN | GREEN | GREEN | PROTECTIVE GROUND |

Make sure that the device is always connected properly to the earth!

Improper installation can cause serious damage to people and property!





Return Procedure



Returned merchandise must be sent prepaid and in the original packing, call tags will not be issued. Package must be clearly labeled with a Return Authorization Number (RMA number). Products returned without an RMA number will be refused. Highlite will not accept the returned goods or any responsibility. Call Highlite 0031-455667723 or mail offersales@highlite.nl and request an RMA prior to shipping the fixture. Be prepared to provide the model number, serial number and a brief description of the cause of the return. Be sure to properly pack fixture as any shipping damage resulting from inadequate packaging is the customer's responsibility. Highlite reserves the right to use its own discretion to repair or replace product(s). As a suggestion, proper UPS packing or double-boxing is always a safe method to use.

Note: If you are given an RMA number, please include the following information on a piece of paper inside the box:

- 01) Your name.
- 02) Your address.
- 03) Your phone number.
- 04) A brief description of the symptoms.

Claims

The client has the obligation to check the delivered goods immediately upon delivery for any shortcomings and/or visible defects, or perform this check after our announcement that the goods are at their disposal. Damage incurred in shipping is the responsibility of the shipper; therefore the damage must be reported to the carrier upon receipt of merchandise.

It is the customer's responsibility to notify and submit claims with the shipper in the event that the fixture is damaged due to shipping. Transportation damage has to be reported to us within one day after receipt of the delivery.

Any return shipment has to be made post-paid at all times. Return shipments must be accompanied with a letter defining the reason for return shipment. Non-prepaid return shipments will be refused, unless agreed otherwise in writing.

Complaints against us must be made known in writing or by fax within 10 working days after receipt of the invoice. After this period, complaints will not be handled anymore.

Complaints will only be considered if the client has so far complied with all parts of the agreement, regardless of the agreement of which the obligation is resulting.

Description of the device

Features

The Showtec Flexstrip Set RGB is a 5m RGB LED-strip which is easy to install. It can be controlled by the included IR remote control.

- Plug and Play
- Cost Effective
- Built-in Programs
- 3M Tape
- LED: 5050 RGB, 30 LEDs per meter.
- Power consumption: 12W
- Power supply: 12V, 1A
- PCB color: White, 10 mm wide
- Beam angle: 120 degrees
- IP rating: IP20
- Included: Controller, IR remote, Power supply
- Dimensions: 5000 x 12 mm (LxW)
- Weight: 0,36 kg (complete set)

Overview

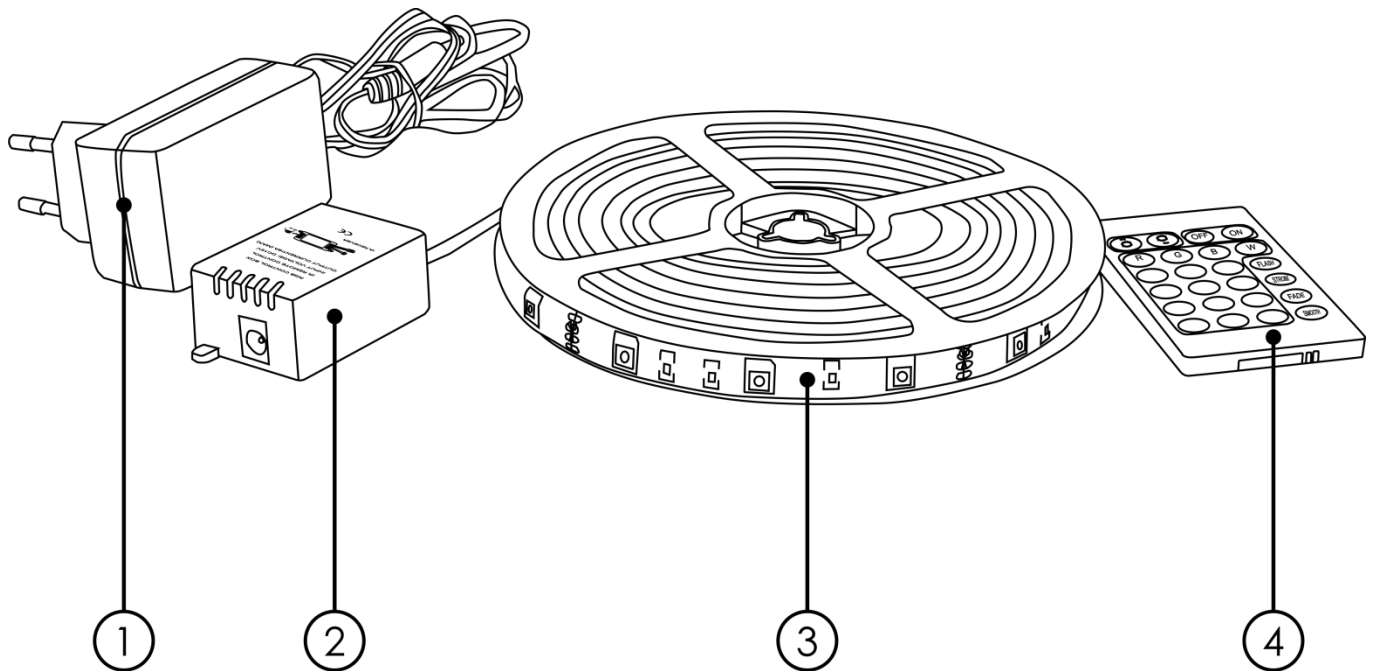


Fig. 01

- 01) DC 12V 1A power adapter
- 02) RGB Controller
- 03) Flexstrip 5050 RGB LEDs
- 04) IR remote control

Installation

Remove all packing materials from the Flexstrip Set RGB. Check that all foam and plastic padding is removed. Connect all cables.

Do not supply power before the whole system is set up and connected properly.

Always disconnect from electric mains power supply before cleaning or servicing.

Damages caused by non-observance are not subject to warranty.

Connecting Flexstrip Set RGB

First you have to mount the Flexstrip on an aluminium or metal surface for best heat dissipation. Use the 3M tape on the underside to attach the Flexstrip on the surface. After mounting the Flexstrip follow the next steps to connect the Flexstrip in order to operate the Flexstrip with the IR remote control.

01) Take the connector from the Flexstrip and connect it to the RGB controller, see figure 02 and 03.

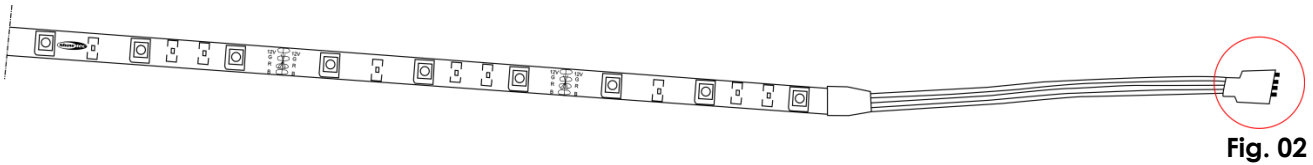


Fig. 02

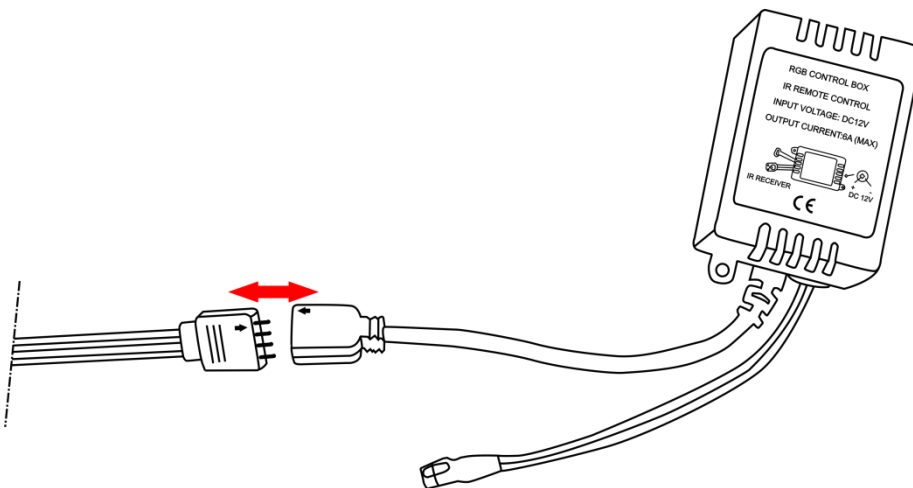


Fig. 03

02) Then connect the RGB controller with the power supply, see figure 04.

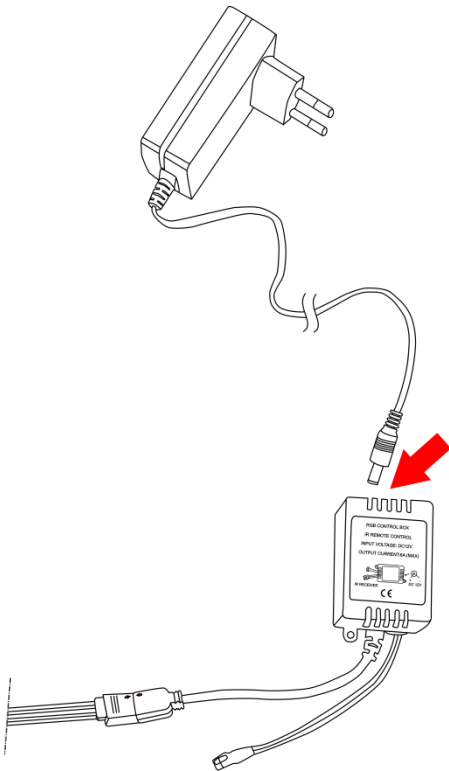


Fig. 04

03) If all connections are made connect the powersupply into a proper electric power supply socket. Do not supply power before the whole system is set up and connected properly.

Set Up and Operation

Before plugging the unit in, always make sure that the power supply matches the product specification voltage. Do not attempt to operate a 120V specification product on 230V power, or vice versa.

Remote control

The remote control will sent a signal to the IR-sensor cable from the RGB controller, see figure 05.

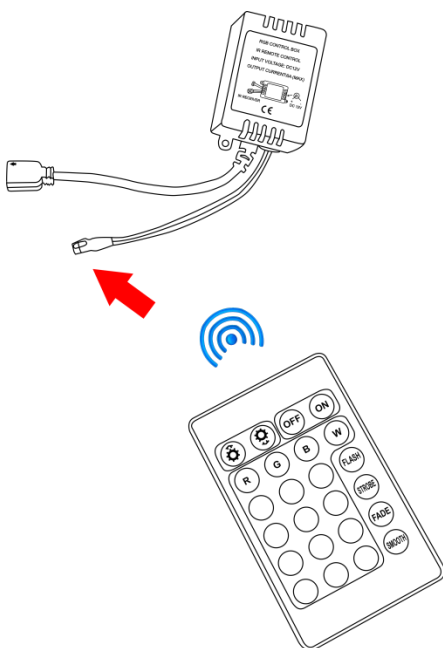
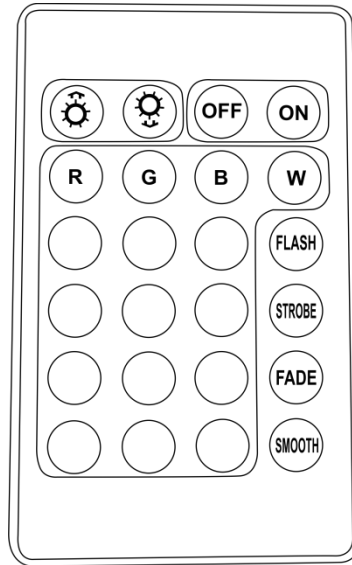


Fig. 05



| Button | Function | Description |
|---------------|----------|--|
| | Increase | Increase the intensity of the LEDs |
| | Decrease | Decrease the intensity of the LEDs |
| OFF | Off | Switch the Flexstrip off |
| ON | On | Switch the Flexstrip on |
| R | Red | Activate the Red color |
| G | Green | Activate the Green color |
| B | Blue | Activate the Blue color |
| W | White | Activate the White color |
| FLASH | Flash | Activate the flash mode |
| STROBE | Strobe | Activate the strobe mode |
| FADE | Fade | Activate the fade mode |
| SMOOTH | Smooth | Activate the smooth mode |
| | Colors | Activate one of the 12 pre-programmed colors |

Maintenance

The operator has to make sure that safety-related and machine-technical installations are to be inspected by an expert after every year in the course of an acceptance test.

The operator has to make sure that safety-related and machine-technical installations are to be inspected by a skilled person once a year.

The following points have to be considered during the inspection:

- 01) All screws used for installing the device or parts of the device have to be tightly connected and must not be corroded.
- 02) There may not be any deformations on housings, fixations and installation spots.
- 03) Mechanically moving parts like axles, eyes and others may not show any traces of wearing.
- 04) The electric power supply cables must not show any damages or material fatigue.

The Flexstrip Set RGB requires almost no maintenance. However, you should keep the unit clean. Otherwise, the fixture's light-output will be significantly reduced. Keep connections clean. Disconnect electric power, and then wipe the Flexstrip with a cloth. Do not use alcohol or solvents.

Troubleshooting

No Light

This troubleshooting guide is meant to help solve simple problems.

If a problem occurs, follow the steps below in sequence until a solution is found. Once the unit operates properly, do not carry out the following steps.

If the light effect does not operate properly, refer servicing to a technician.

Response: Suspect two potential problem areas: power supply and the LEDs.

- 01) Power supply. Check that the unit is plugged into an appropriate power supply.
- 02) The LEDs. Return the Flexstrip Set RGB to your Showtec dealer.
- 03) If all of the above appears to be in order, switch the unit on again.
- 04) If you are unable to determine the cause of the problem, do not open the Flexstrip Set RGB, as this may damage the unit and the warranty will become void.
- 05) Return the device to your Showtec dealer.

| Problem | Probable cause(s) | Solution |
|---|---|---|
| The device does not function at all | No power to the device | <ul style="list-style-type: none"> • Check if power is switched on and cables are plugged in |
| | LEDs damaged | <ul style="list-style-type: none"> • Disconnect the device and return it to your dealer |
| | The power supply settings do not match local AC voltage and frequency | <ul style="list-style-type: none"> • Disconnect the device. Check settings and correct if necessary |
| The device works correctly but responds erratically or not at all to the remote control | The remote control battery is flat | <ul style="list-style-type: none"> • Replace the battery of the remote control |
| No light or lamp cuts out intermittently | Device is too hot | <ul style="list-style-type: none"> • Allow the device to cool down • Turn up the air conditioning |
| | LEDs damaged | <ul style="list-style-type: none"> • Disconnect the device and return it to your dealer |

Product Specifications

| | |
|---|---------------------------|
| Model: | Showtec Flexstrip Set RGB |
| Power supply: | 12V, 1A |
| Power consumption: | 12W |
| Protection rate: | IP20 |
| Dimensions: | 5000 x 12 mm (LxW) |
| Weight: | 0,36 kg (complete set) |
| Operating and Programming: | |
| Control Protocol: | IR |
| Electro-mechanical effects: | |
| LED Quantity: | 30 LEDs per meter |
| LED Type: | 5050 RGB |
| PCB color: | White, 10mm wide |
| Beam angle: | 120 degrees |
| Plug and Play | |
| Cost Effective | |
| 3M Tape | |
| Max. ambient temperature t_a : | 40°C |
| Minimum distance: | |
| Minimum distance from flammable surfaces: | 0,5 m |
| Minimum distance to lighted object: | 1 m |

Design and product specifications are subject to change without prior notice.



Website: www.Showtec.info

Email: service@highlite.nl



©2016 Showtec