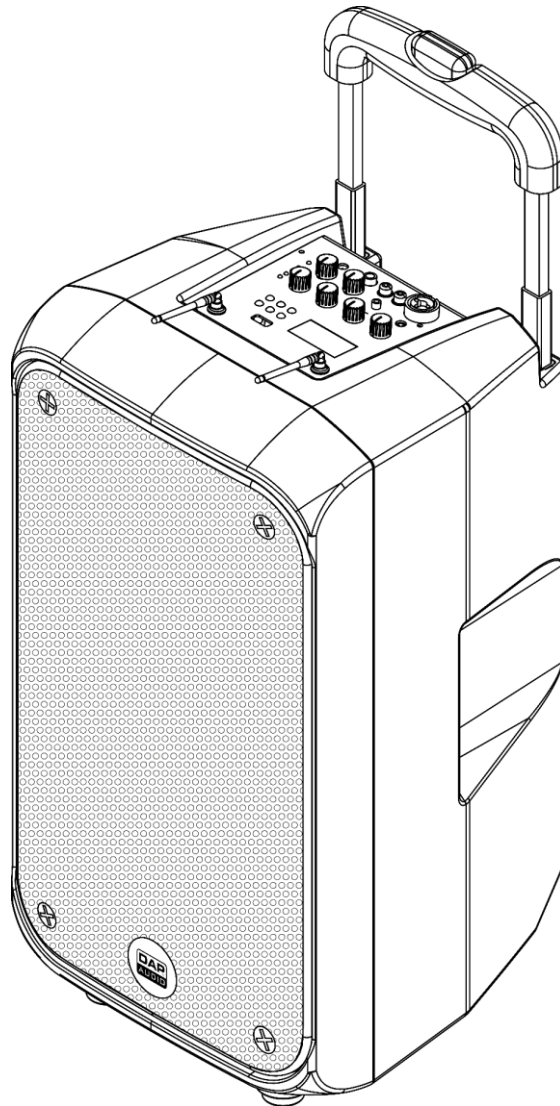




# MANUAL



ENGLISH

## PSS-110 MKIII

## V2

Ordercode: D2611

## Table of contents

---

<b>Warning</b> .....	2
Safety Instructions .....	2
Operating Determinations .....	4
Connection with the mains .....	4
Return Procedure .....	5
Claims .....	5
<b>Description of the device</b> .....	6
Overview .....	7
Backside .....	8
Top .....	9
Microphone .....	11
<b>Installation</b> .....	11
Inserting/Replacing the Microphone Batteries .....	12
Charging the Microphone Batteries .....	12
Adjusting Input Gain .....	13
<b>Setup and Operation</b> .....	13
Connection .....	13
Battery Operation .....	13
Microphone Operation .....	14
Frequency Range .....	16
Tips for Achieving Maximum Performance .....	16
USB Player Operation .....	17
Selecting Tracks .....	17
Starting/Stopping Playback .....	17
Adjusting Volume .....	17
Playback Modes .....	17
Recording .....	17
<b>Connection Example</b> .....	18
<b>Connection Cables</b> .....	19
<b>Maintenance</b> .....	20
Replacing the Fuse .....	20
<b>Troubleshooting</b> .....	20
No Sound .....	20
<b>Product Specifications</b> .....	21

## Warning



**For your own safety, please read this user manual carefully  
before your initial start-up!**

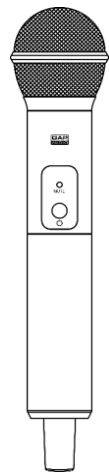
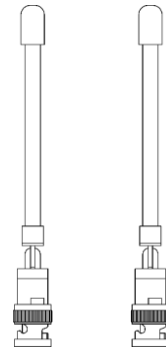
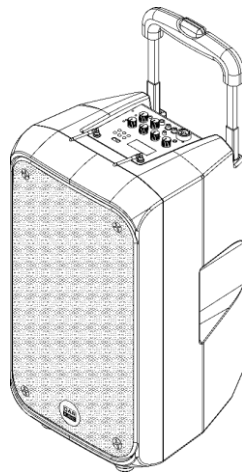


### Unpacking Instructions

Immediately upon receiving this product, carefully unpack the carton and check the contents to ensure that all parts are present, and have been received in good condition. Notify the dealer immediately and retain packing material for inspection if any parts appear damaged from shipping or the carton itself shows signs of mishandling. Save the carton and all packing materials. In the event that a fixture must be returned to the factory, it is important that the fixture be returned in the original factory box and packing.

### Your shipment includes:

- DAP Audio PSS-110 MKIII
- 2 x antenna
- 1 x microphone
- IEC power cable (1,5 m)
- User manual



### CAUTION!

**Keep this device away from rain and moisture!  
Unplug mains lead before opening the housing!**



### Safety Instructions

Every person involved with the installation, operation and maintenance of this system has to:

- be qualified
- follow the instructions of this manual



**CAUTION! Be careful with your operations.  
With a dangerous voltage you can suffer  
a dangerous electric shock when touching the wires!**



Before your initial start-up, please make sure that there is no damage caused by transportation. Should there be any, consult your dealer and do not use the system.

To maintain perfect condition and to ensure a safe operation, it is absolutely necessary for the user to follow the safety instructions and warning notes written in this manual.

Please consider that damages caused by manual modifications to the system are not subject to warranty.

This system contains no user-serviceable parts. Refer servicing to qualified technicians only.

**IMPORTANT:**

The manufacturer will not accept liability for any resulting damages caused by the non-observance of this manual or any unauthorized modification to the system.

- Never let the power cord come into contact with other cables! Handle the power cord and all connections with the mains with particular caution!
- Never remove warning or informative labels from the unit.
- Never use anything to cover the ground contact.
- Never leave any cables lying around.
- Do not connect this system to a dimmer pack.
- Do not open the device and do not modify the device.
- Only use device indoors, avoid contact with water or other liquids.
- Always disconnect power from the mains, when system is not used. Only handle the power cord by the plug. Never pull out the plug by tugging the power cord.
- Always operate the unit with the AC ground wire connected to the electrical system ground.
- Avoid flames and do not put close to flammable liquids or gases.
- Avoid ground loops! Always be sure to connect the power amps and the mixing console to the same electrical circuit to ensure the same phase!
- The best way (even if not always feasible) to avoid ground loops is to connect the electric ground of all the equipment to a single central point ("star" system). In this case, the central point can be the mixer.
- Avoid installing your equipment very near radio or TV sets, mobile phones, etc., as these can cause RF (radio frequency) interference.
- Before changing your grounds around, always turn your amplifiers down.
- Before connecting or disconnecting the power cord, make sure that the power switch is in the OFF position.
- Before switching on or off make sure the sound system's amplifiers are off or turned down: this will avoid signal peaks, which are annoying and sometimes dangerous (particularly for speaker enclosures).
- Do not connect (parallel or series) an amplifier output with any other amplifier output.
- Do not drive the inputs with a signal level higher than required to drive the equipment to full output.
- Do not run the output of any amplifier channel, back into another channel's input.
- Do not switch the system on and off in short intervals, as this would reduce the system's life.
- Extreme frequency boosts in connection with a high input signal level may lead to overdriving your equipment. Should this occur, it is necessary to reduce the input signal level by using the INPUT control.
- If device is dropped or struck, disconnect mains power supply immediately. Have a qualified engineer inspect for safety before operating.
- If the system has been exposed to drastic temperature fluctuation (e.g. after transportation), do not switch it on immediately. The arising condensation water might damage your system. Leave the system switched off until it has reached room temperature.
- If your DAP Audio device fails to work properly, discontinue use immediately. Pack the unit securely (preferably in the original packing material), and return it to your DAP Audio dealer for service.
- In system setup, the amplifier's output power must be set 50%-100% higher than the loaded loudspeakers' rated power.
- Make sure that the available voltage is not higher than stated on the rear panel.
- Make sure that the power cord is never crimped or damaged. Check the device and the power cord from time to time.
- Make sure that the signals into the mixer are balanced, otherwise hum could be created.
- Make sure that there is sufficient room on all sides of the system for air circulation.
- Make sure you do not use the wrong kind of cables or defective cables.
- Make sure you use DI boxes to balance unbalanced signals; All incoming signals should be clear
- Please turn off the power switch, when changing the power cord or signal cable, or select the input mode switch.
- Prevent distortion! Make sure that all components connected to the PSS have sufficient power rating. Otherwise distortion will be generated because the components are operated at their limits.
- Repairs, servicing and electric connection must be carried out by a qualified technician.
- Sometimes, when you want to send one signal to more than one amplifier, you should use a signal distributor.

- To avoid or solve hum and buzzing troubles, try different combinations of lifting grounds on units that are supplied with ground lift switches or make sure all chassis are connected to earth ground, either through the AC power cord ground or by the front panel rack mount screws.
- To emphasize a frequency range, you do not necessarily need to move its respective sliding control upwards; try lowering surrounding frequency ranges instead. This way, you avoid causing the next piece of equipment in your sound path to overdrive. You also preserve valuable dynamic reserve ("headroom").
- For replacement use fuses of same type and rating only.
- **WARRANTY:** Till one year after date of purchase.

**Operating Determinations**

This system is not designed for permanent operation. Consistent operation breaks will ensure that the system will serve you for a long time without defects.

If this system is operated in any other way, than the one described in this manual, the product may suffer damages and the warranty becomes void.

Any other operation may lead to dangers like short-circuit, burns, electric shock, etc.


*You endanger your own safety and the safety of others !*

*Improper installation can cause serious injuries to people and/or damage of property !*

**Connection with the mains**

Connect the device to the mains with the power-plug.

Always pay attention, that the right color cable is connected to the right place.

<b>International</b>	<b>EU Cable</b>	<b>UK Cable</b>	<b>US Cable</b>	<b>Pin</b>
L	BROWN	RED	YELLOW/COPPER	FASE
N	BLUE	BLACK	SILVER	NULL
	YELLOW/GREEN	GREEN	GREEN	EARTH

*Make sure that the device is always connected properly to the earth!*

*Improper installation can cause serious injuries to people and/or damage of property !*

## **Return Procedure**

Returned merchandise must be sent prepaid and in the original packing, call tags will not be issued. Package must be clearly labeled with a Return Authorization Number (RMA number). Products returned without an RMA number will be refused. Highlite will not accept the returned goods or any responsibility. Call Highlite 0031-455667723 or mail [aftersales@highlite.com](mailto:aftersales@highlite.com) and request an RMA prior to shipping the fixture. Be prepared to provide the model number, serial number and a brief description of the cause for the return. Be sure to properly pack fixture, any shipping damage resulting from inadequate packaging is the customer's responsibility. Highlite reserves the right to use its own discretion to repair or replace product(s). As a suggestion, proper UPS packing or double-boxing is always a safe method to use.

**Note: If you are given an RMA number, please include the following information on a piece of paper inside the box:**

- 01) Your name
- 02) Your address
- 03) Your phone number
- 04) A brief description of the symptoms

## **Claims**

The client has the obligation to check the delivered goods immediately upon delivery for any shortcomings and/or visible defects, or perform this check after our announcement that the goods are at their disposal. Damage incurred in shipping is the responsibility of the shipper; therefore the damage must be reported to the carrier upon receipt of merchandise.

It is the customer's responsibility to notify and submit claims with the shipper in the event that a fixture is damaged due to shipping. Transportation damage has to be reported to us within one day after receipt of the delivery.

Any return shipment has to be made post-paid at all times. Return shipments must be accompanied with a letter defining the reason for return shipment. Non-prepaid return shipments will be refused, unless otherwise agreed in writing.

Complaints against us must be made known in writing or by fax within 10 working days after receipt of the invoice. After this period complaints will not be handled anymore.

Complaints will only then be considered if the client has so far complied with all parts of the agreement, regardless of the agreement of which the obligation is resulting.

## Description of the device

### Features

The DAP Audio PSS-110 MKIII is the successor of the PSS series with a completely new design in a lightweight ABS housing. It is a portable PA system powered by an internal battery. When used on mains power, the battery will be charged automatically. The built-in charger has an overload protection, a circuit and a battery level indicator. The device is equipped with a USB player, a wireless microphone, a 4-channel audio mixer for the microphone and line signals. On the mixer, you can set master volume, bass and treble as well as a talkover function. Use the dedicated line output to connect the PSS-110 MKIII with a second PA system. It is a very easy all-in-one concept, suitable for venues where you do not have access to a mains power supply: fair events, theme parks, sport events, outdoor church services, street musicians, product presentations.

- Power supply: 220-240V AC, 50/60Hz
- Battery: 22,2V (Lithium battery)
- System type: 2-Way Active Vented Speaker
- Transducer Low: 10" Woofer, 1,5" Voice coil
- Transducer driver: 1" Ferrite Driver, 1" Voice coil
- Horn coverage: 90°H x 45°V
- Frequency response(-6dB): 65Hz-20kHz
- Crossover frequency: 5kHz
- Max SPL: 117dB Max
- AMP power output: RMS: 200W(AC)(LF-Class D 135W&HF-Class D 65W)
- Equalizer controls: Bass: ±10dB (@100Hz); Treble: ±10dB (@10kHz)
- External controls: Master volume controls: Mic & Line
- AUX volume controls: Wireless volume control, Voice priority switch
- Power indicators: Recharge indicator, Battery level indicators
- RF signal indicators
- Voice priority: MIC1 and wireless
- Signal to noise ratio: Mic: >70dB
- Line: >75dB
- Battery charging time: <5 hours
- Battery life: >3 hours (regular play)
- Microphone batteries: 2 x AA (LR 6) **not included**
- Wireless frequency band: 615-638MHz
- Built-in player: MP3/USB player
- Housing: Plastic cabinet, trapezoidal, metal grille, rubber feet, handle
- Color: Black
- Mounting: 35-mm standard pole-mount
- Fuse: T1AL/250V
- Dimensions: 300 x 290 x 910 mm (LxWxH)
- Weight: 13 kg

Overview

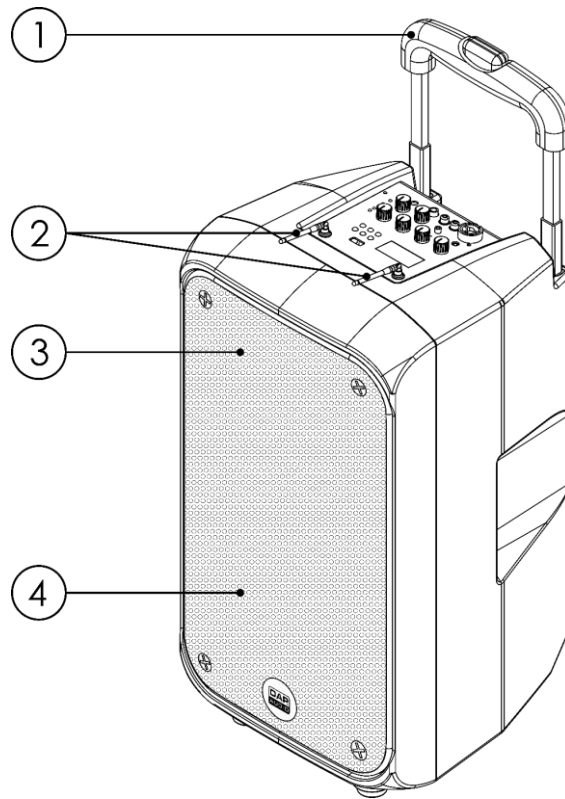


Fig. 01

- 01) **Handle**
- 02) **Antenna**
- 03) **Tweeter**
- 04) **Woofer**



Backside

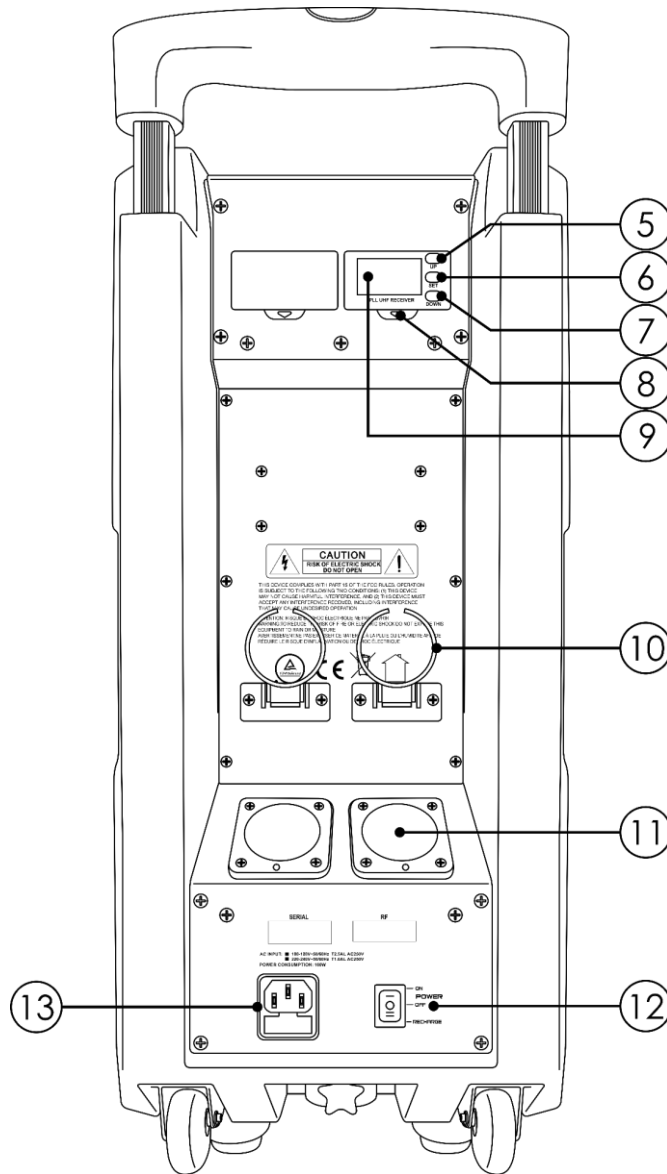


Fig. 02

- 05) **UP button**
- 06) **SET button**
- 07) **DOWN button**
- 08) **Module eject button**
- 09) **LCD receiver display**
- 10) **Microphone clamp**
- 11) **Microphone holder + LED microphone battery status indicator**
- 12) **Power switch ON/OFF**
  - ON: Power on
  - OFF: Power off
  - RECHARGE: Use this option in order to recharge the internal battery or the microphone batteries.
- 13) **220–240V IEC power connector IN + Fuse T1AL/250V**

Top

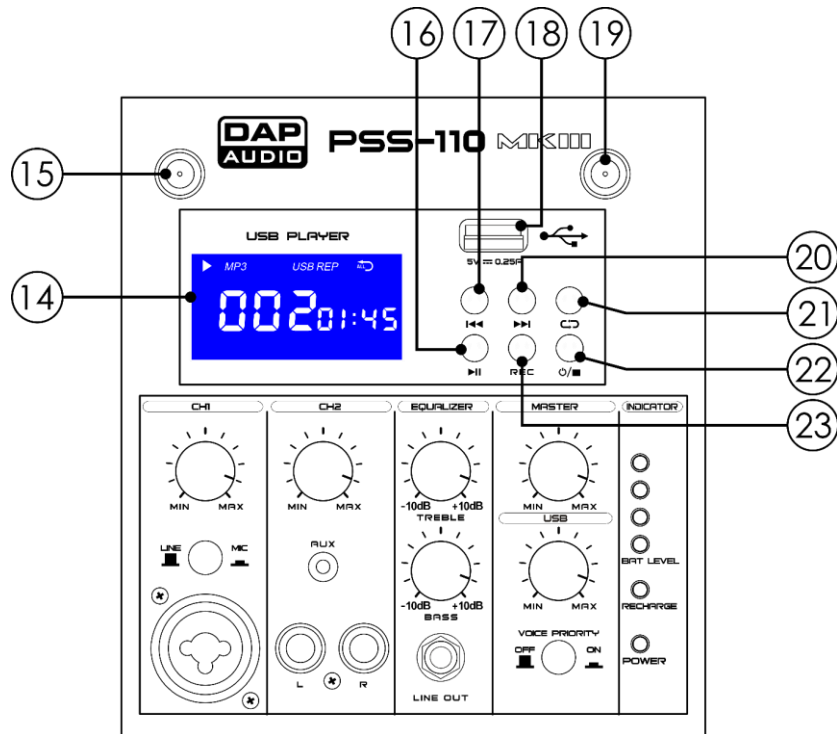


Fig. 03

- 14) **LCD display**
- 15) **Antenna connector**
- 16) **Play/Pause button**
- 17) **Previous track button**  
Press the button to skip to a previous track.  
Press and hold down the button to decrease the volume.
- 18) **USB A connector IN**  
Connect a USB flash drive containing music files (mp3).
- 19) **Antenna connector**
- 20) **Next track button**  
Press the button to skip to a next track.  
Press and hold down the button to increase the volume.
- 21) **Repeat button**
- 22) **Power/Stop button**  
Press the button once in order to stop playback.  
Press and hold down the button for 2 seconds in order to switch the USB player ON/OFF.
- 23) **Record button**

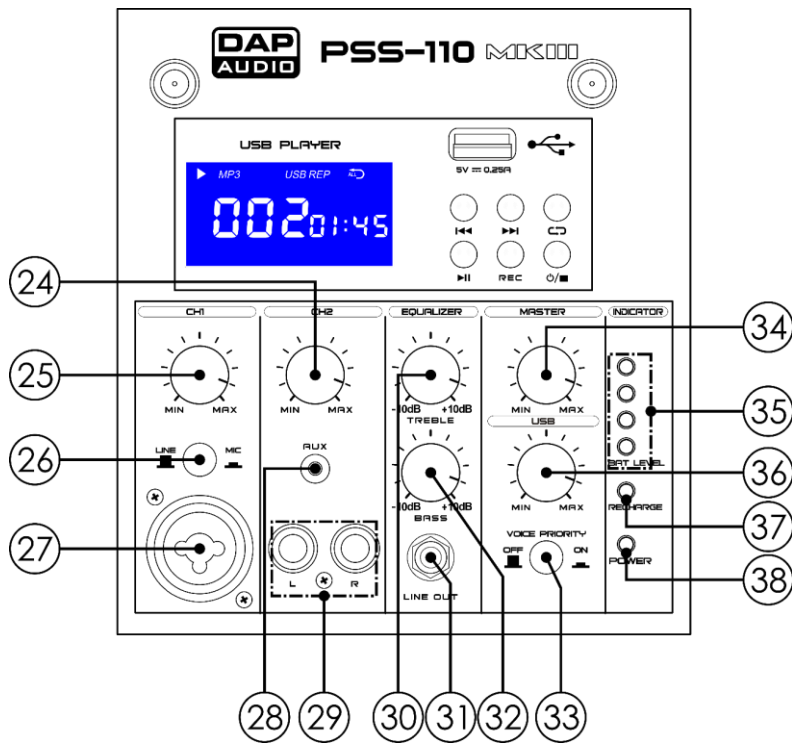


Fig. 04

- 24) **CH2 volume control**  
Turn the control to set the volume of CH2.
- 25) **CH1 volume control**  
Turn the control to set the volume of CH1.
- 26) **CH1 Line/Mic button**  
Select the input source for channel 1 (Line/Mic).
- 27) **Microphone XLR/jack combo IN**  
This combined jack can be used for connecting a mono signal source, for example an XLR microphone. You can also use the 1/4" jack connector to connect line-level signal sources.
- 28) **3,5 mm jack connector – AUX IN**  
Connect an auxiliary device, for example a smartphone.
- 29) **CH2 RCA unbalanced – AUX IN**  
Connect line signal.
- 30) **Treble control**
- 31) **6,3 mm jack connector – Line OUT**  
Connect to the line input of a mixer. If you use the PSS together with DAP Splash active speakers, use a mono-to-mono jack cable.
- 32) **Bass control**
- 33) **Voice priority button**
- When the button is in ON position: the microphone signal will have the highest priority. Upon receiving a microphone signal, AUX and MP3 signals will be muted (ducking).
  - When the button is in OFF position: the microphone signal will have the same output level as AUX and MP3. All those signals will be output simultaneously.
- 34) **Master volume control**  
Turn the control to set the master volume.
- 35) **LED battery level indicator**
- 36) **USB volume control**  
Turn the control to set the USB player volume.
- 37) **LED recharge indicator**  
While recharging, the indicator will light up red. When the battery is fully charged, it will light up green.
- 38) **LED power indicator**

## Microphone

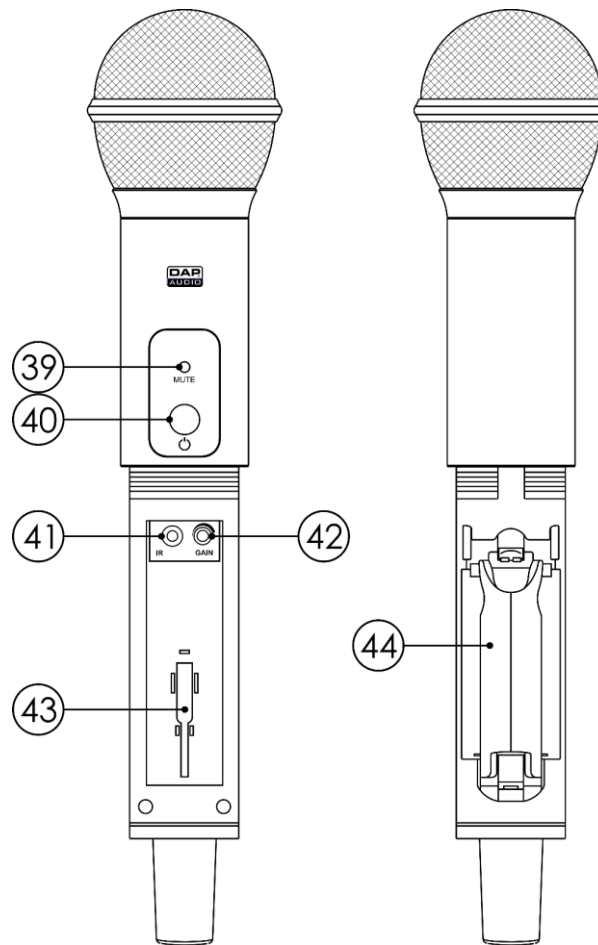


Fig. 05

39) **LED status indicator**

- Green: Normal operation
- Red: Mute
- Red (flashing): Low battery

40) **Power/Mute switch**

Press and hold down the button for 3 seconds to turn the microphone on/off.  
Press the button to mute/unmute the microphone.

41) **IR sensor**

42) **Input gain control**

43) **Plastic screwdriver**

44) **AA battery housing**

## Installation

Remove all packing materials from the PSS-110 MKIII. Check that all foam and plastic padding is removed. Connect all cables.

**Always disconnect from electric mains power supply before cleaning or servicing.  
Damages caused by non-observance are not subject to warranty.**

## Inserting/Replacing the Microphone Batteries

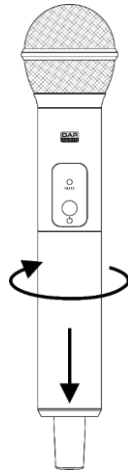


Fig. 06

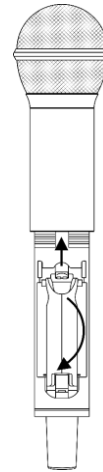


Fig. 07

- 01) Turn the battery cover clockwise, in order to loosen it. Remove the battery cover (Fig. 06).
- 02) Pull upwards on the holding pin and, at the same time, pull the battery holder down, in order to gain access to the battery housing (Fig. 07).
- 03) Insert 2 **AA (LR 6)** batteries into the battery housing, paying attention to the polarity markings (+/-).
- 04) Close the battery housing and replace the battery cover. Tighten the battery cover by turning it counterclockwise.

## Charging the Microphone Batteries

Charge only **RECHARGEABLE AA** batteries!



Recharging non-rechargeable batteries may cause fire, damage to the device and/or injuries.



**NEVER** place the microphone(s) in the microphone holder if you use non-rechargeable batteries.

- 01) Make sure that the **power switch (12)** is in OFF position and plug one end of the included IEC to Schuko power cable into the **IEC input connector (13)**. Plug the other end into an appropriate power supply.
- 02) Place the wireless microphone in the **microphone holder (11)**.
- 03) Set the **power switch (12)** to RECHARGE position.
- 04) Observe the LED microphone battery status indicator located on the **microphone holder (11)**. While recharging, the indicator will light red. When the batteries are fully charged, it will light green.
- 05) Set the **power switch (12)** to OFF position and unplug the IEC to Schuko power cable.

## Adjusting Input Gain

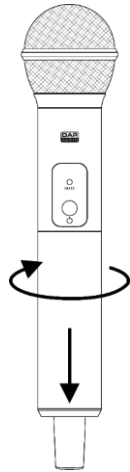


Fig. 08

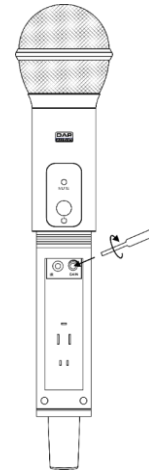


Fig. 09

- 01) Turn the battery cover clockwise, in order to loosen it. Remove the battery cover (Fig. 08).
- 02) Use the included **plastic screwdriver (43)** to set the transmitter's input sensitivity (Fig. 09).
- 03) Close the battery housing and replace the battery cover. Tighten the battery cover by turning it counterclockwise.

## Setup and Operation

Before plugging the unit in, always make sure that the power supply matches the product specification voltage. The power supply is printed on the back of the device.

Do not attempt to operate an 115V specification product on 230V power, or vice versa.

### Connection

- 01) Set the **power switch (12)** to OFF position, in order to turn the PSS off.
- 02) Connect the PSS to the other devices which you plan to use.

CAUTION: Make sure that the power is off, when connecting the cables.

### Battery Operation

- 01) When the **battery level indicator (35)** lights up red, the battery is almost flat and needs to be recharged.
- 02) Make sure that the **power switch (12)** is in OFF position and plug one end of the included IEC to Schuko power cable into the **IEC input connector (13)**. Plug the other end into an appropriate power supply.
- 03) Set the **power switch (12)** to RECHARGE position.
- 04) Observe the **recharge indicator (37)**. While recharging, the indicator will light up red. When the battery is fully charged, it will light up green.
- 05) Unplug the IEC to Schuko power cable. If the battery is fully charged, the PSS can run on battery power for approximately 3 hours, depending on the volume level.

### Note:

The battery in the PSS should not be fully depleted. Charge it when it is low, but do not let it drain fully. On the other hand, constant top-off charging of a battery is never good. Any charging adds heat which degrades a battery. Storage in a cool place slows the aging process of lithium-ion. Manufacturers recommend storage temperatures of 15°C.

## Microphone Operation

- 01) Turn the PSS on by setting the **power switch (12)** to ON position.
- 02) Turn the microphone on by pressing and holding down the **power/mute switch (40)** for 3 seconds. The **LED status indicator (39)** will light up green.
- 03) Press the **UP/DOWN buttons (05/07)** in order to choose one of the 100 channels (see page 16 for the frequency range chart). Alternatively, press and hold down the **UP button (05)** for 6 seconds, for quick channel search. The **display (09)** will show:



- 04) Once you have chosen a channel, press and hold down the **UP button (05)** for 3 seconds. The currently chosen channel's number will start blinking.
- 05) Remove the battery cover (Fig. 10). **Otherwise it will not be possible to pair the devices.**
- 06) Place the microphone's **IR sensor (41)** close to the **display (09)**, in order to pair the speaker with the microphone (Fig. 11).

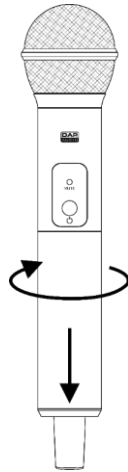


Fig. 10

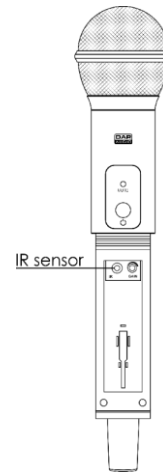


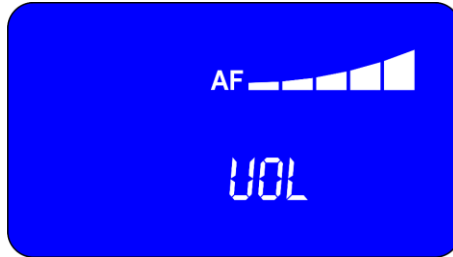
Fig. 11

07) Once the microphone has been paired, the **display (09)** will show:



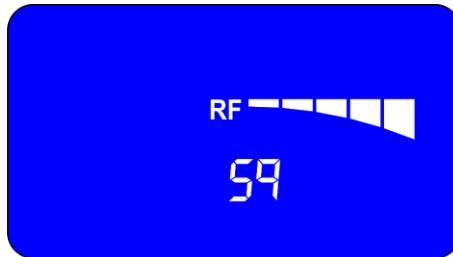
08) Replace the battery cover and turn it counterclockwise, in order to tighten it.

09) Press the **SET button (06)**. The display will show:



10) Press the **UP/DOWN buttons (05/07)** in order to set the volume. The adjustment range is from OFF to loud.

11) Press the **SET button (06)** again. The display will show:



12) In order to eliminate the risk of interference, press the **UP/DOWN buttons (05/07)** to set the squelch. The adjustment range is from low to high threshold. The higher the threshold, the more unwanted signals will be phased out. If it does not solve the problem, set the microphone and the PSS to a different channel.

**Note:**

If the squelch threshold is set too high, the transmission range will be reduced. Therefore, always set the squelch to the lowest possible setting.

13) Press the **SET button (06)** again.

14) You can now speak into the microphone.

15) In order to choose another channel, repeat steps 3-14.



## Frequency Range

00 – 615,125MHz	25 – 620,750MHz	50 – 626,375MHz	75 – 632,000MHz
01 – 615,350MHz	26 – 620,975MHz	51 – 626,600MHz	76 – 632,225MHz
02 – 615,575MHz	27 – 621,200MHz	52 – 626,825MHz	77 – 632,450MHz
03 – 615,800MHz	28 – 621,425MHz	53 – 627,050MHz	78 – 632,675MHz
04 – 616,025MHz	29 – 621,650MHz	54 – 627,275MHz	79 – 632,900MHz
05 – 616,250MHz	30 – 621,875MHz	55 – 627,000MHz	80 – 633,125MHz
06 – 616,475MHz	31 – 622,100MHz	56 – 627,725MHz	81 – 633,350MHz
07 – 616,700MHz	32 – 622,325MHz	57 – 627,950MHz	82 – 633,575MHz
08 – 616,925MHz	33 – 622,550MHz	58 – 628,175MHz	83 – 633,800MHz
09 – 617,150MHz	34 – 622,775MHz	59 – 628,400MHz	84 – 634,025MHz
10 – 617,375MHz	35 – 623,000MHz	60 – 628,625MHz	85 – 634,250MHz
11 – 617,600MHz	36 – 623,225MHz	61 – 628,850MHz	86 – 634,475MHz
12 – 617,825MHz	37 – 623,450MHz	62 – 629,075MHz	87 – 634,700MHz
13 – 618,050MHz	38 – 623,675MHz	63 – 629,300MHz	88 – 634,925MHz
14 – 618,275MHz	39 – 623,900MHz	64 – 629,525MHz	89 – 635,150MHz
15 – 618,500MHz	40 – 624,125MHz	65 – 629,750MHz	90 – 635,375MHz
16 – 618,725MHz	41 – 624,350MHz	66 – 629,975MHz	91 – 635,600MHz
17 – 618,950MHz	42 – 624,575MHz	67 – 630,200MHz	92 – 635,825MHz
18 – 619,175MHz	43 – 624,800MHz	68 – 630,425MHz	93 – 636,050MHz
19 – 619,400MHz	44 – 625,025MHz	69 – 630,650MHz	94 – 636,275MHz
20 – 619,625MHz	45 – 625,250MHz	70 – 630,875MHz	95 – 636,500MHz
21 – 619,850MHz	46 – 625,475MHz	71 – 631,100MHz	96 – 636,725MHz
22 – 620,075MHz	47 – 625,700MHz	72 – 631,325MHz	97 – 636,950MHz
23 – 620,300MHz	48 – 625,925MHz	73 – 631,550MHz	98 – 637,175MHz
24 – 620,525MHz	49 – 626,150MHz	74 – 631,775MHz	99 – 637,400MHz

**It is possible that the PSS-110 MKIII will not function properly within certain frequencies. It may be caused by the presence of other digital equipment producing interference.**



**Try testing all the available frequency presets until you find the one which functions properly.**



## Tips for Achieving Maximum Performance

- Make sure you can always see the receiver antenna from the transmitter position.
- Keep the distance between the PSS antennas and the microphone as short as possible.
- Point the PSS antennas away from each other, at a 45° angle from vertical position.
- Avoid placing the antennas in the vicinity of metal surfaces and obstructions.
- Recharge the battery as soon as you receive a low-battery alarm.
- Perform a walk-through before performance or presentation. If dead spots are found, adjust the location of the PSS. If dead spots remain, mark and avoid them.

## USB Player Operation

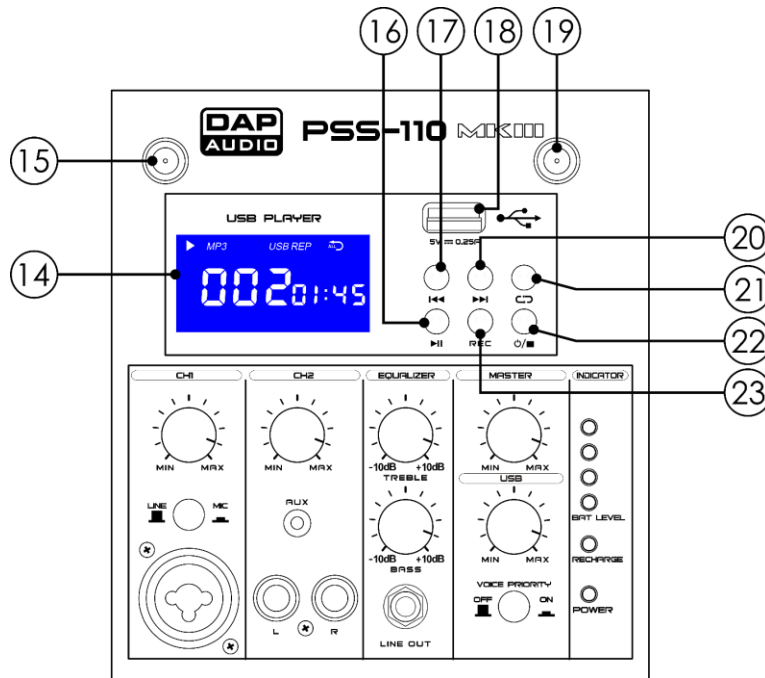


Fig. 12

- 01) Press and hold down the **power/stop button (22)** for 2 seconds in order to turn the USB player on.
- 02) Insert a USB flash drive into the **USB slot (18)**.
- 03) The device will now search for the supported music files (mp3).

### Selecting Tracks

- 01) Press the **⏮ (17) button** to skip to a previous track.
- 02) Press the **⏭ (20) button** to skip to a next track.
- 03) Playback will begin automatically, once a new track has been selected.

### Starting/Stopping Playback

- 01) Press the **▶|| (16) button** to start playback.
- 02) Press the **▶|| (16) button** again to pause playback.
- 03) Press the **▶|| (16) button** again to resume playback.
- 04) Press the **⏹ (22) button** to stop playback.

### Adjusting Volume

- 01) Press and hold down the **⏮ (17) button** to decrease the volume.
- 02) Press and hold down the **⏭ (20) button** to increase the volume.
- 03) The adjustment range is between 0-15, from OFF to loud.

### Playback Modes

- 01) Repeatedly press the **⏮ (23) button** to select the desired playback mode.
- 02) There are 4 playback modes:

- |            |  |  |
|------------|--|--|
| <i>REP</i> |  | Repeats a single track several times                       |
| <i>REP</i> |  | Repeats all tracks   |
| <b>A</b>   |  | Plays all tracks once, in random order (Shuffle)           |
| No symbol  |  | Plays all tracks once, in the order of appearance (Normal) |

### Recording

- 01) Press the **Record (23) button** to enter recording.
- 02) Press the **Record (23) button** again to start recording.
- 03) Speak into the microphone.
- 04) Press the **⏹ (22) button** to stop recording.
- 05) The recorded files will be saved on the inserted USB flash drive.

## Connection Example

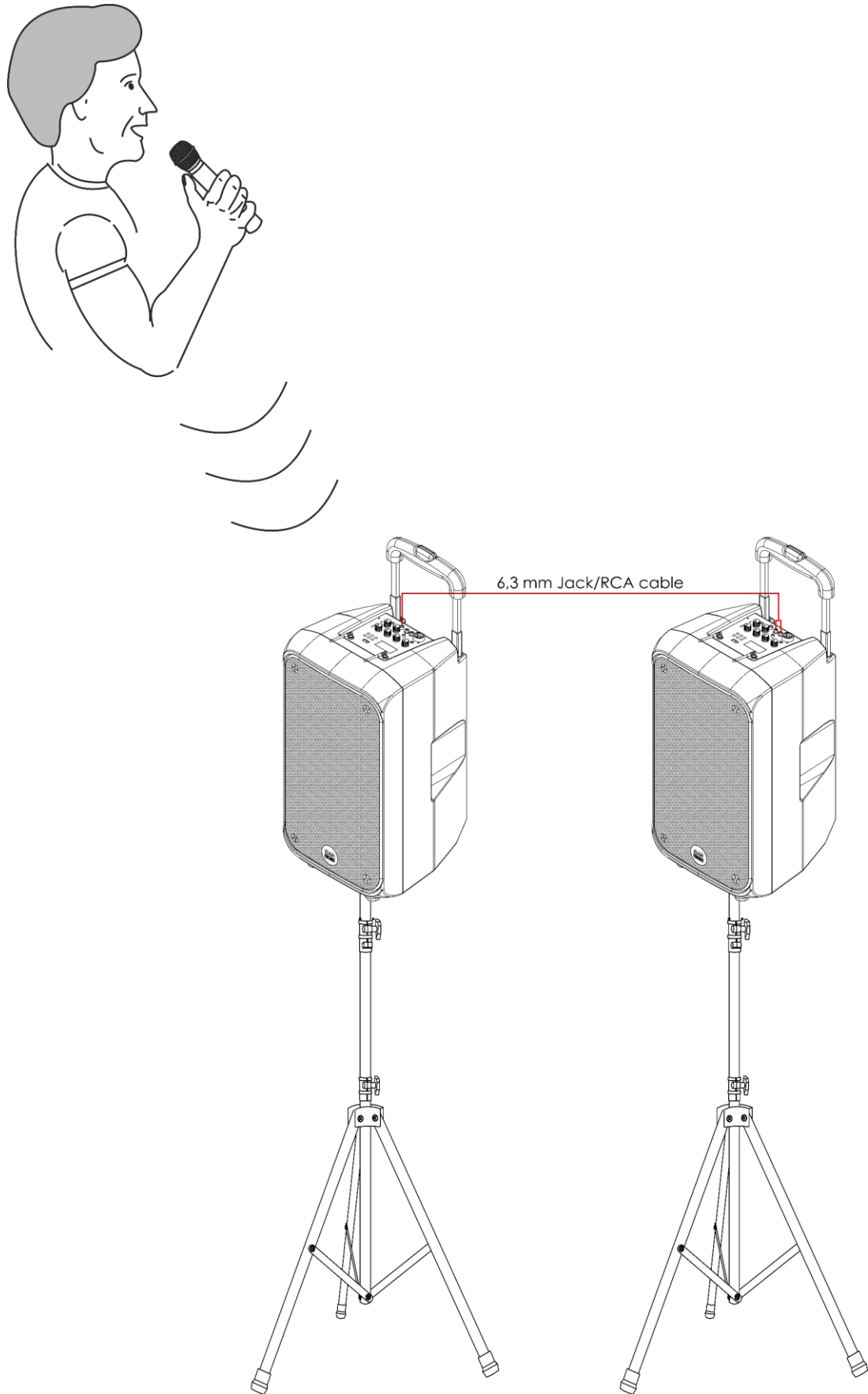
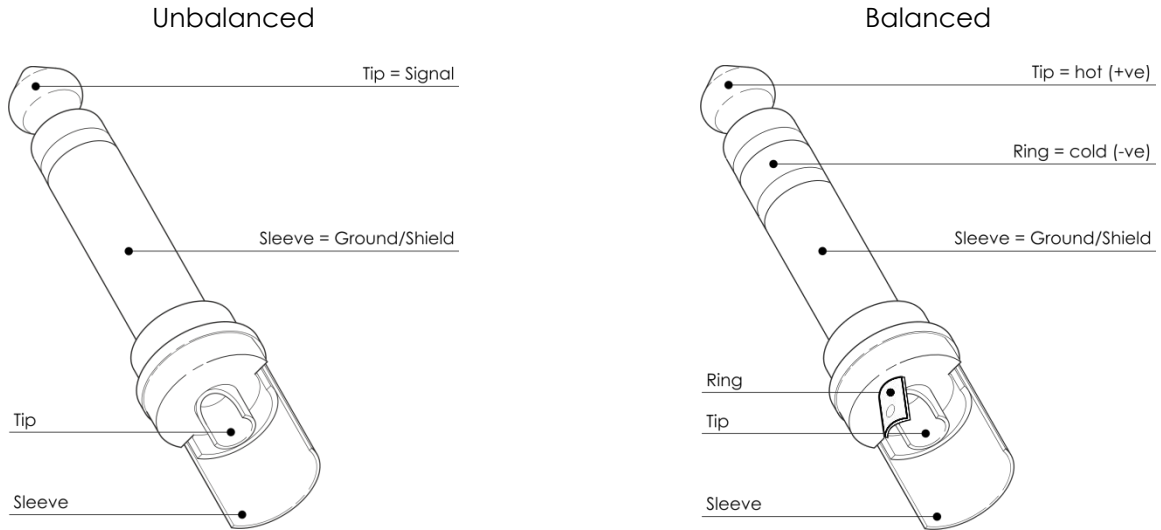


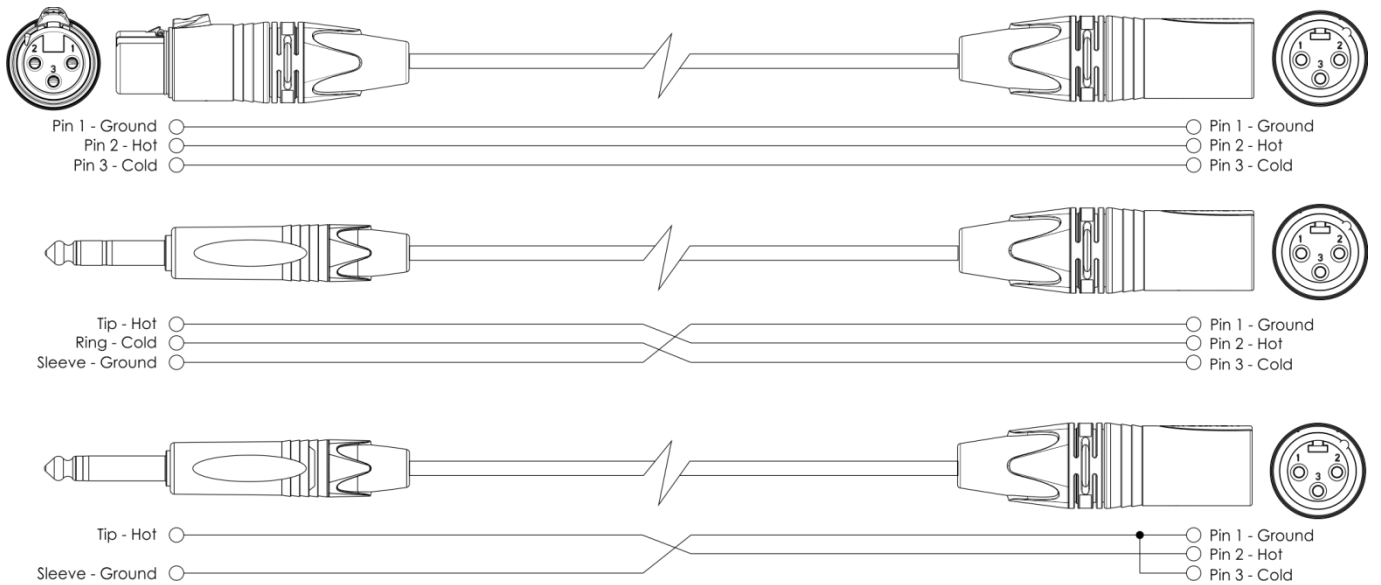
Fig. 13

## Connection Cables

Take care of your cables, always holding them by the connectors and avoiding knots and twists when coiling them: This gives the advantage of increasing their life and reliability. Periodically check your cables. A great number of problems (faulty contacts, ground hum, discharges, etc.) are caused entirely by using unsuitable or faulty cables.



For these applications the unit provides 1/4" TRS and XLR connectors to easily interface with most professional audio devices. Follow the configuration examples below for your particular connection.



## Maintenance

---

The DAP Audio PSS-110 MKIII requires almost no maintenance.

However, you should keep the unit clean.

Disconnect the mains power supply, and then wipe the cover with a damp cloth. Do not immerse in liquid. Do not use alcohol or solvents.

Keep connections clean. Disconnect electric power, and then wipe the audio connections with a damp cloth. Make sure connections are thoroughly dry before linking equipment or supplying electric power.

### Replacing the Fuse

Power surges, short-circuit or inappropriate electrical power supply may cause a fuse to burn out. If the fuse burns out, the product will not function whatsoever. If this happens, follow the directions below.

- 01)** Unplug the unit from electric power source.
- 02)** Insert a screwdriver into the slot in the fuse cover. Gently pry up the fuse cover. The fuse will come out.
- 03)** Remove the used fuse. If brown or unclear, it is burned out.
- 04)** Insert the replacement fuse into the holder where the old fuse was. Reinsert the fuse cover. Be sure to use a fuse of the same type and specification. See the product specification label for details.

## Troubleshooting

---

### No Sound

Always check if all the cables and cords are connected. Always turn off power to the area before checking the wires, to prevent electric shock.

If everything works properly and there is still no sound, revisit the manufacturer's instructions to make sure they were followed during installation. If everything was installed correctly and there is still no sound, you may want to consider bringing in a professional to take a look at your speaker.

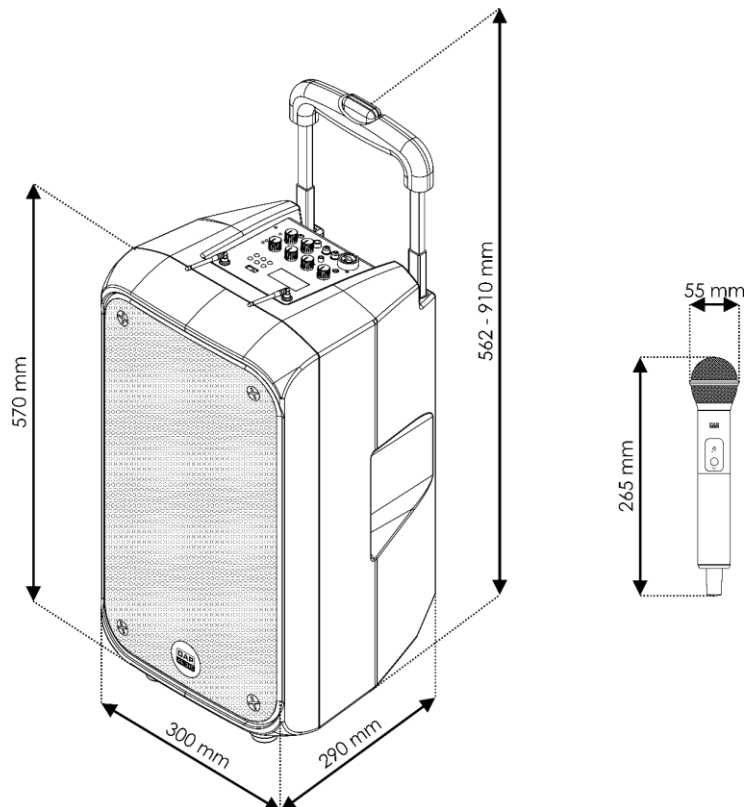
If the speaker does not operate properly, refer servicing to a technician.

Suspect three potential problem areas as: the battery, the speaker, the fuse.

- 01)** The battery. Check if the battery is fully charged. If it is not, it needs to be recharged. See page 13 for battery operation.
- 02)** The speaker. Return the PSS to your DAP Audio dealer.
- 03)** The fuse. Replace the fuse. See page 20 for replacing the fuse.
- 04)** If all appears to be O.K., turn the unit on again.
- 05)** If you are unable to determine the cause of the problem, do not open the PSS, as this may damage the unit and the warranty will become void.
- 06)** Return the device to your DAP Audio dealer.

## Product Specifications

Power supply:	220-240V AC, 50/60Hz
Battery:	22,2V (Lithium battery)
System type:	2-Way Active Vented Speaker
Transducer Low:	10" Woofer, 1,5" Voice coil
Transducer driver:	1" Ferrite Driver, 1" Voice coil
Horn coverage:	90°H x 45°V
Frequency response (-6dB):	65Hz-20kHz
Crossover frequency:	5kHz
Max SPL:	117dB Max
AMP power output:	RMS: 200W (AC) (LF-Class D 135W&HF-Class D 65W)
Equalizer controls:	Bass: ±10dB (@100Hz); Treble: ±10dB (@10kHz)
External controls:	Master volume controls: Mic & Line
AUX volume controls:	Wireless volume control, Voice priority switch
Power indicators:	Recharge indicator, Battery level indicators
Voice priority:	MIC1 and wireless
Signal to noise ratio:	Mic: >70dB
Line:	>75dB
Battery charging time:	<5 hours
Battery life:	>3 hours (regular play)
Microphone batteries:	2 x AA (LR 6) <b>not included</b>
Wireless frequency band:	615-638MHz
Built-in player:	MP3/USB player
Housing:	Plastic cabinet, trapezoidal, metal grille, rubber feet, handle
Color:	Black
Mounting:	35-mm standard pole-mount
Fuse:	T1AL/250V
Dimensions:	300 x 290 x 910 mm (LxWxH)
Weight:	13 kg



Design and product specifications are subject to change without prior notice.



Website: [www.Dap-audio.info](http://www.Dap-audio.info)  
 Email: [service@highlite.com](mailto:service@highlite.com)





©2020 DAP Audio