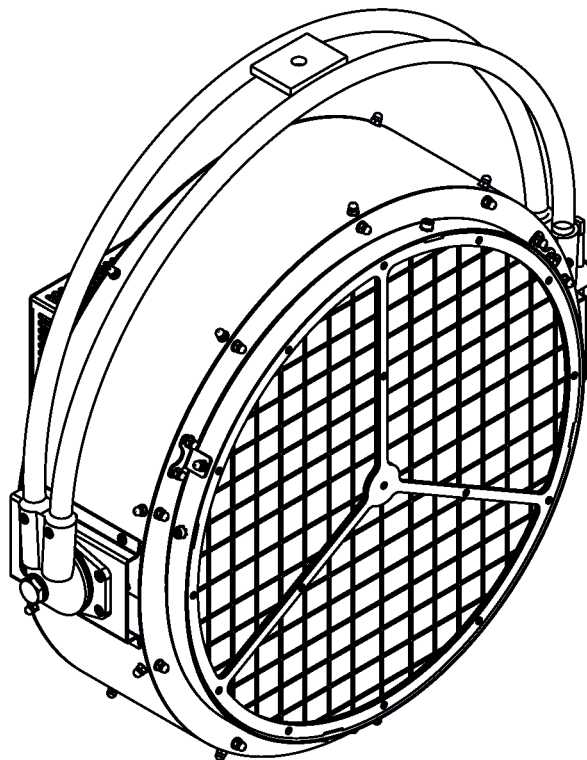

ROBE

PATT 2017



USER MANUAL

Version 1.5

ROBE® Lighting s.r.o. • Czech republic • www.robe.cz

Table of contents

1. Safety instructions	3
2. Description of the fixture	4
3. Installation	5
3.1 Mounting the PATT 2017	5
3.2 Connecting the PATT 2017 with the PATT Driver	5
4. Technical specifications	6

**FOR YOUR OWN SAFETY, PLEASE READ THIS USER MANUAL CAREFULLY
BEFORE INSTALLING THE PRODUCT .**

1. Safety instructions

CAUTION!
The PATT 2017 was designed for indoor use only.
The product is for professional use only, it is not for household use.

This product has left our premises in absolutely perfect condition. In order to maintain this condition and to ensure a safe operation, it is absolutely necessary for the user to follow the safety instructions and warning notes written in this manual.

The manufacturer will not accept liability for any resulting damages caused by the non-observance of this manual or any unauthorized modification to the product.

If the device has been exposed to drastic temperature fluctuation (e.g. after transportation), do not switch it on immediately. The arising condensation water might damage your device. Leave the device switched off until it has reached room temperature.

The pixel PATT should be operated with the PATT Driver only.

**The PATT 2017 becomes hot during its operation, allow it to cool prior
to manipulation.**
**The PATT 2017 unit never must be covered with cloth or other materials during
operation.**

Refer servicing to qualified service personnel.

Warning! Risk Group 2 LED product according to EN 62471
**LED light emission. Risk of eye injury. Do not look into the beam at short distance of
the of the product. Do not view the light output with optical instruments or any
device that may concentrate the beam.**
The light source contains blue LEDs.

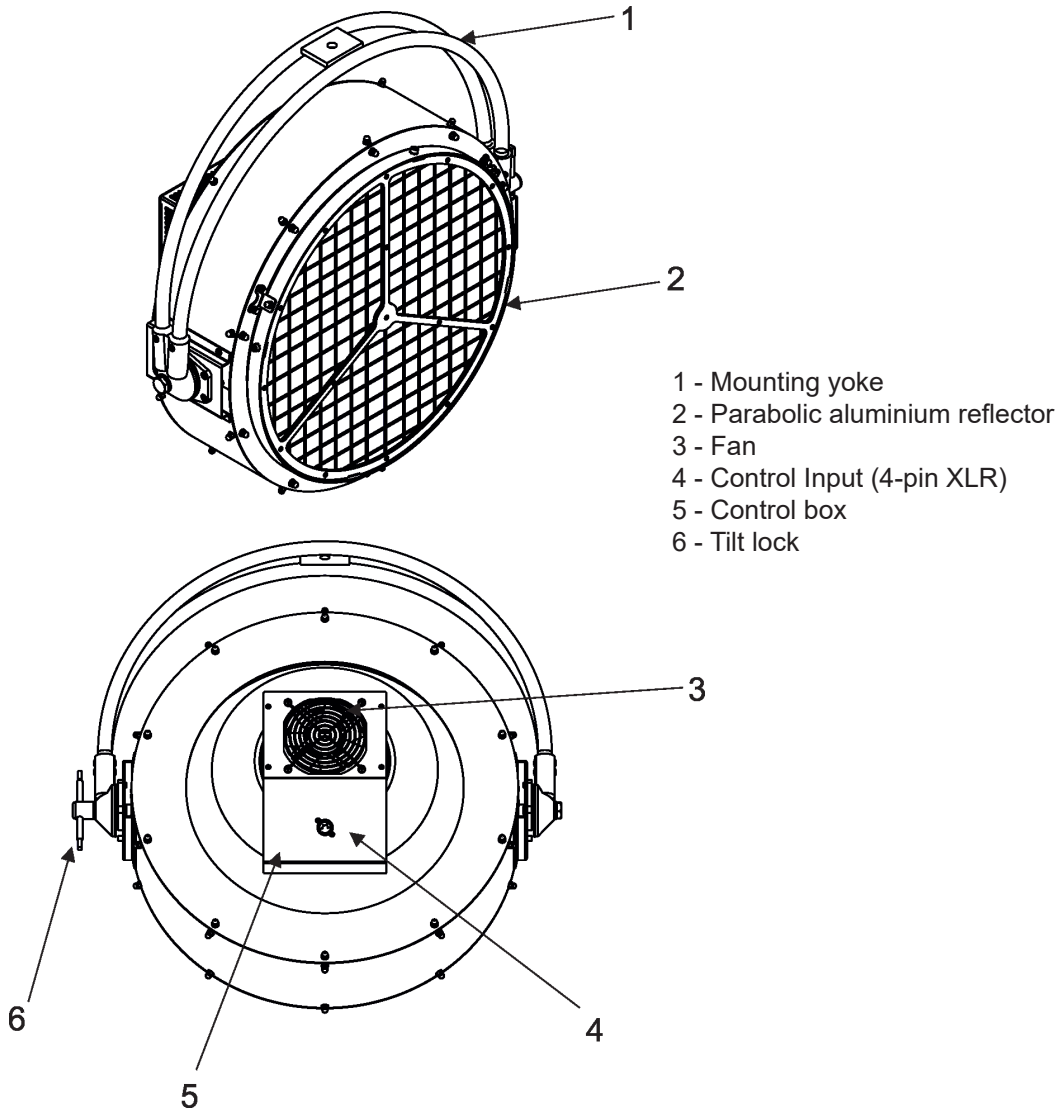
When choosing the installation spot, please make sure that the PATT 2017 are not exposed to extreme heat, moisture or dust.

Operate the PATT 2017 only after having familiarized with its functions. Do not permit operation by persons not qualified for operating the PATT 2017. Most damages are the result of unprofessional operation!

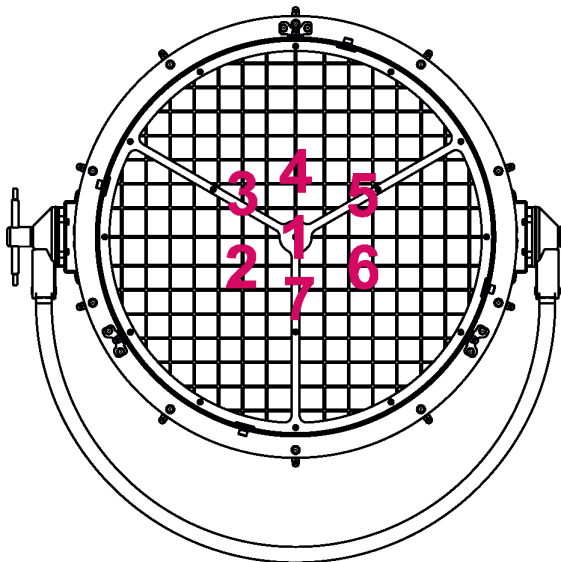
Please use the original packaging if the PATT 2017 is to be transported.

Please consider that unauthorized modifications on the fixture are forbidden due to safety reasons!

2. Description of the fixture



Pixel positions:



3. Installation

The PATT 2017 must be installed by a qualified electrician in accordance with all national and local electrical and construction codes and regulations.

3.1 Mounting the PATT 2017

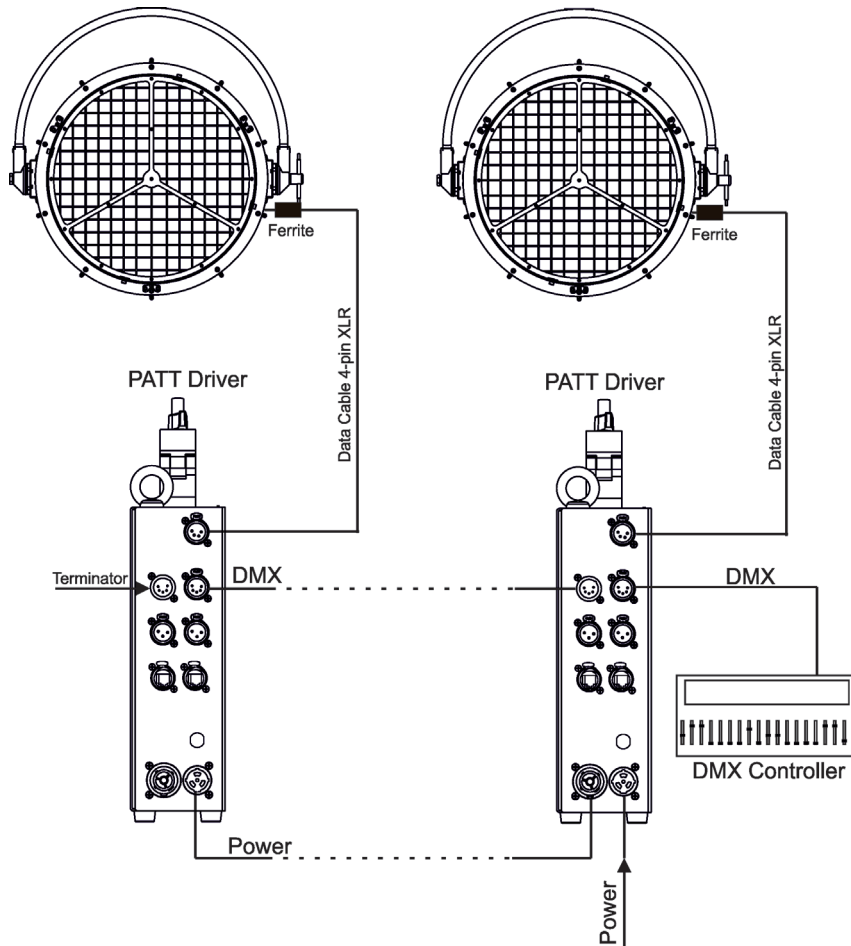
The fixture can be rigged to the truss or fastened to the floor stand via a mounting yoke. The hole of diameter of 13 mm in the yoke serves for fastening a clamp (or a spigot) to the yoke.

Note: the spigot has to be inserted into the floor stand and always secured.

For overhead installation the PATT 2017 has to be always secured to the truss by means of a safety wire (that can hold at least 10 times the weight of the fixture) which is fastened to the truss and around mounting yoke of the PATT 2017.

3.2 Connecting the PATT 2017 with the PATT Driver

1. Disconnect the PATT Driver from mains.
2. Connect the PATT 2017 to the PATT Driver by means of the 4-pin data cable.
3. Connect the PATT Driver to mains and make desired setting.



ALWAYS DISCONNECT THE PATT DRIVER FROM MAINS BEFORE CONNECTING/DISCONNECTING THE PATT 2017.

Please see the user manual of the PATT Driver for more detailed information about its operation

For CE only: If you do not use the original Robe Data Cable 4-pin XLR for connection between PATT 2017 and PATT Driver, the ferrite RRC 17-11-28-M-K5B (Robe P/N 13051799) should be installed on the 4-pin XLR cable closely to the PATT 2017 as shown on the picture below.

If you use the original Robe 4-pin XLR cable, this ferrite is part of the cable and you do not need to install another ferrite on the cable.

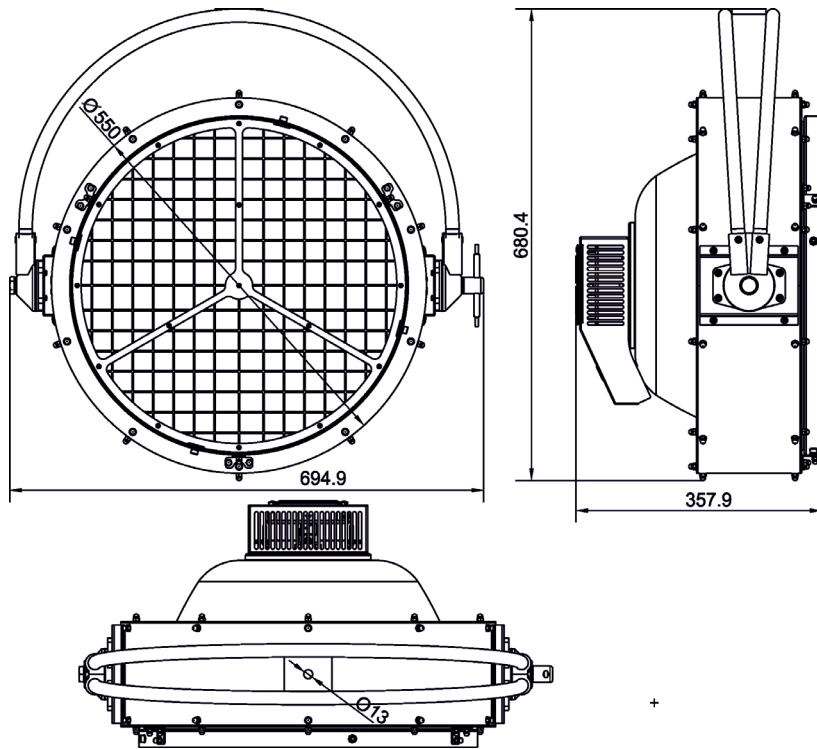
Ferrite RRC 17-11-28-M-K5B



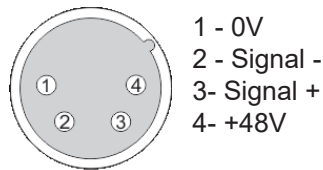
4. Technical specifications

Input voltage:	48V
Max. power consumption:	210W
Compatible control driver:	PATT Driver
Light source:	7x RGBW LED multichip
LED life expectancy:	min. 20 000 hours
Typical lumen maintenance:	70% @ 20 000 hours
Optical System:	parabolic aluminium reflector with high reflectivity coating
Control input:	Locking 4-pin XLR (male)
Max. length of cable between PATT Driver and PATT 2017:	10m
Mounting Points:	Mounting horizontally or vertically via mounting yoke (360° tilt range)
Rigging:	M12 mounting for clamp or spigot.
Operation position:	any
Ingress protection:	IP20 (for dry location only)
Weight:	10.3 kg
Max. surface temperature:	65°C (at 45°C ambient)
Maximum ambient temperature:	45 °C
Total heat dissipation (calculated):	716 BTU
Min. distance from flammable surfaces:	0.2 m
Min. distance of illuminated objects:	0.2 m

Dimensions (mm)



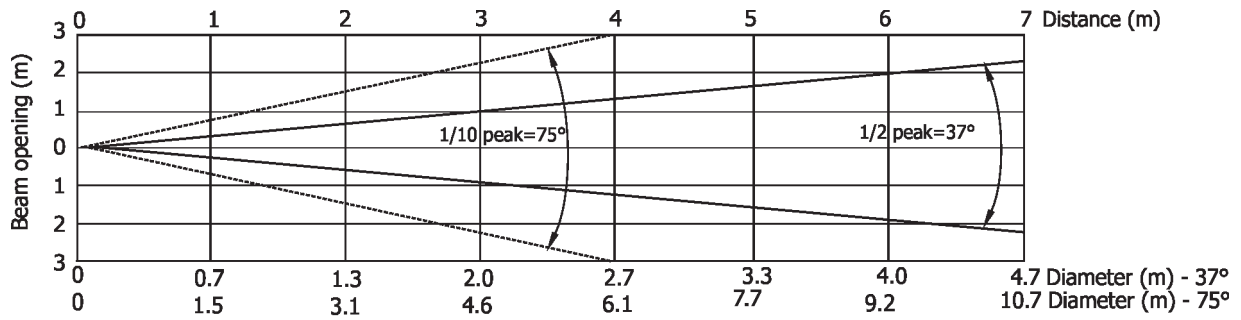
Wiring of control input:



Optional accessories

- (P/N 10980374) Tripod for PATT 2013/2017, pixelPATT
- (P/N 1098 0259) Floor Stand for PATT 2013, picklePATT
- (P/N 1098 0260) Spigot for PATT 2013/2017/picklePATT, pixelPATT
- (P/N 13052797) Data cable 4 pin XLR 10m, ferrite, EU
- (P/N 13052798) Data cable 4 pin XLR 5m, ferrite, EU
- (P/N 13052799) Data cable 4 pin XLR 10m, US
- (P/N13052800) Data cable 4 pin XLR 5m, US
- (P/N 17030386) Doughty Trigger Clamp
- (P/N 99011963) Safety wire 35 kg
- (P/N 13051799) Ferite RRC 17-11-28-M-K5B
- (P/N 10055002) PATT Driver

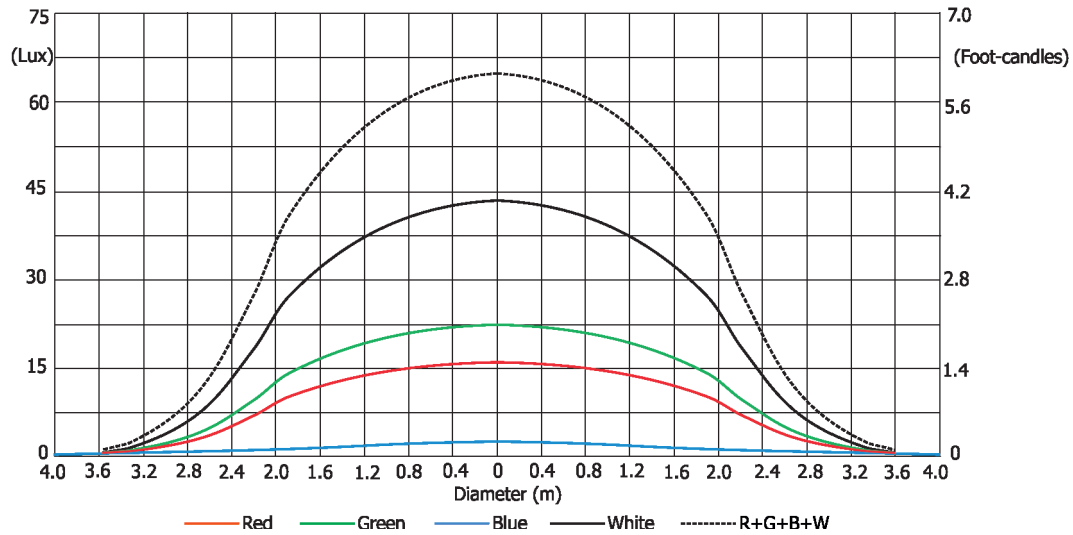
Beam distribution



Distance (m)	1	2	3	4	5	6	7	
Red	400/37	100/9	44/4	25/2.3	16/1.5	11/1	8/0.8	Intensity (center) Lux/Footcandles
Green	550/51	138/13	61/6	34/3.2	22/2	15/1.4	11.1	
Blue	65/6	16/1.5	7/0.7	4/0.4	2.6/0.2	1.8/0.2	1.3/0.1	
White	500/47	125/12	56/5	31/3	20/1.9	14/1.3	10/0.9	
R+G+B+W	1050/98	263/24	117/11	66/6	42/3.9	29/2.7	21/2	

Illuminance distribution

Distance=5m



Copyright © 2017-2018 Robe Lighting - All rights reserved

Specifications are subject to change without notice.

April 19, 2018

Made in ROBE Lighting s.r.o., Palackého 416, 757 01 Valašské Meziříčí, Czech Republic