

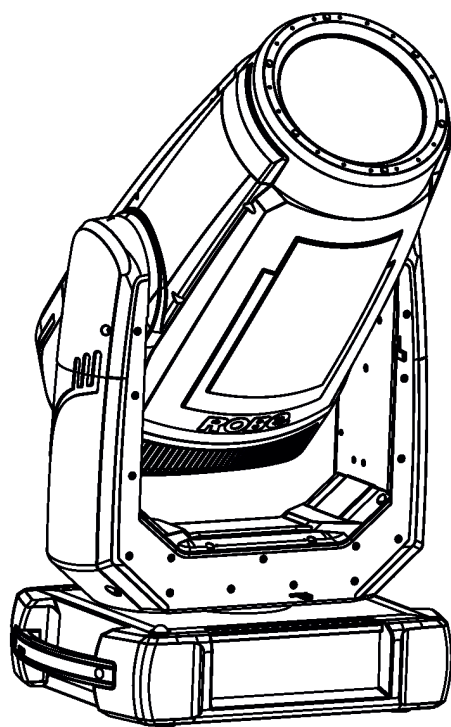
---

**ROBE**

---

**ROBIN<sup>®</sup> iForte**

**ROBIN<sup>®</sup> iForte POI**



 **ROBIN<sup>®</sup>**  
Innovative Technology

---

**USER MANUAL**

---

ROBE<sup>®</sup> lighting s.r.o. • Czech Republic • [www.robe.cz](http://www.robe.cz)

Preliminary Version

# Robin iForte

# Robin iForte POI

## Table of contents

<b>1. Safety instructions</b> .....	<b>3</b>
<b>2. Fixture exterior view</b> .....	<b>5</b>
<b>3. Installation</b> .....	<b>6</b>
3.1 Connection to the mains .....	6
3.2 Replacing the frosts .....	7
3.3 Replacing rotating gobos .....	8
3.4 Rigging the fixture .....	10
3.5 DMX-512 connection.....	13
3.6 Ethernet connection .....	14
3.7 Wireless DMX operation .....	16
<b>4. Remotely controllable functions</b> .....	<b>17</b>
<b>5. Control menu map</b> .....	<b>19</b>
<b>6. Control menu</b> .....	<b>23</b>
6.1 Tab "Address" .....	26
6.2 Tab "Information" .....	26
6.3 Tab "Personality" .....	29
6.4 Tab "Manual Control" .....	31
6.5 Tab "Stand-alone" .....	32
6.6 Tab "Service" .....	32
<b>7. RDM</b> .....	<b>38</b>
<b>8. Error and information messages</b> .....	<b>39</b>
<b>9. NFC</b> .....	<b>42</b>
<b>10. Technical Specifications</b> .....	<b>43</b>
<b>11. ChangeLog</b> .....	<b>47</b>
<b>12. Cleaning</b> .....	<b>48</b>
<b>13. Maintenance</b> .....	<b>48</b>
13.1 Fixture watertight covers and torques of covers crews .....	49
13.2 Disposing of the product .....	52

**FOR YOUR OWN SAFETY, PLEASE READ THIS USER MANUAL CAREFULLY  
BEFORE YOU INITIAL START - UP**

This device has left our premises in absolutely perfect condition. In order to maintain this condition and to ensure a safe operation, it is absolutely necessary for the user to follow the safety instructions and warnings in this manual.

The manufacturer will not accept liability for any resulting damages caused by the non-observance of this manual or any unauthorized modification to the device.

Please consider that damages caused by manual modifications to the device are not subject to warranty.

***The Robin iForte was designed for outdoor use and it is intended for professional application only. It is not for household use.***

## 1. Safety instructions

### **CAUTION!**

***Disconnect the fixture from mains before you remove any cover of the fixture. With a high voltage you can suffer a dangerous electric shock when touching alive wires and electrical parts under covers!***

Make sure that the available voltage is not higher than stated on the rear panel of the fixture. This fixture should be operated only from the type of power source indicated on the marking label. If you are not sure of the type of power supplied, consult your authorized distributor or local power company.

Always disconnect the fixture from AC power before cleaning, removing or servicing any part of the fixture.

The power plug has to be accessible after installing the fixture. Do not overload wall outlets and extension cords as this can result in fire or electric shock.

Do not allow anything to rest on the power cord. Do not locate this fixture where the cord may be damaged by persons walking on it.

Make sure that the power cord is never crimped or damaged by sharp edges. Check the fixture and the power cord from time to time.

Refer servicing to qualified service personnel.

***This fixture falls under protection class I. Therefore this fixture has to be connected to a mains socket outlet with a protective earthing connection.***

Do not connect this fixture to a dimmer pack.

During the initial start-up some smoke or smell may arise. This is a normal process and does not necessarily mean that the device is defective.

The housing of the fixture becomes hot during its operation.

For replacement use lamps and fuses of same type and rating only.

***LED light emission. Risk of eye injury.  
Do not look straight at the fixture's LED source during operation. The intense light beam may damage your eyes.***

**CAUTION! Risk group 2, RG-2**  
**Avoid looking directly into the light source.**



WARNING! This unit does not contain an ON/OFF switch. Always disconnect the power input cable from mains to completely remove power from unit when not in use or before cleaning or servicing the unit.

When choosing the installation spot, please make sure that the fixture is not exposed to extreme heat or dust.

Do not block the front objective lens with any object when the fixture is under operation.

The fixture becomes very hot during operation. Allow the fixture to cool approximately 20 minutes prior to manipulate with it.

Only operate the fixture after having checked that the housing is firmly closed and all screws are tightly fastened.

Always use a safety wire for overhead installation.

Make sure that the area below the installation place is blocked when rigging, derigging or servicing the fixture.

The maximum ambient temperature must never be exceeded.

**CAUTION!**  
***The front glass cover has to be replaced when it is obviously damaged, e. g. due to cracks or deep scratches!***

Operate the device only after having familiarized with its functions. Do not permit operation by persons not qualified for operating the device. Most damages are the result of unprofessional operation!

**CAUTION!**  
***To avoid damage of the internal parts of the fixture head, never let the sunlight (or other light source) lights directly to the front glass cover, even when the fixture is not in operation !***

***Please use only an original ROBE packaging (paper box, loader case or foam shell) for transporting the device, otherwise potential damage of the device during its transport will not subject to warranty.***

Do not touch the device's housing bare hands during its operation (housing becomes hot)!

For replacement use fuses of same type and rating only.

Immunity of the equipment is designed for electromagnetic environments E1, E2, E3 according to the standard EN55103-2 ed.2 Electromagnetic compatibility. Product family standard for audio, video, audiovisual and entertainment lighting control apparatus for professional use. Part 2: Immunity.

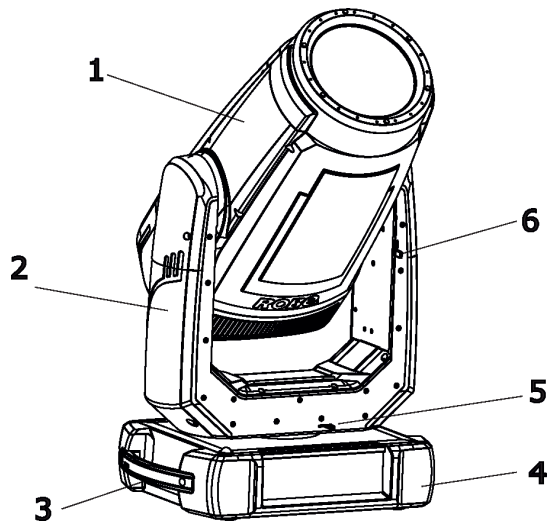
The product (covers and cables) must not be exposed to a high frequency electromagnetic field higher than 3V/m.

The installation company should check levels of possible interferences above the tested levels E1,E2,E3 given by this standard (e.g. transmitters in surrounding area) before installing the equipment.

Emission of the equipment complies with the standard EN55032 Electromagnetic compatibility of multimedia equipment – Emission Requirements according to class B.

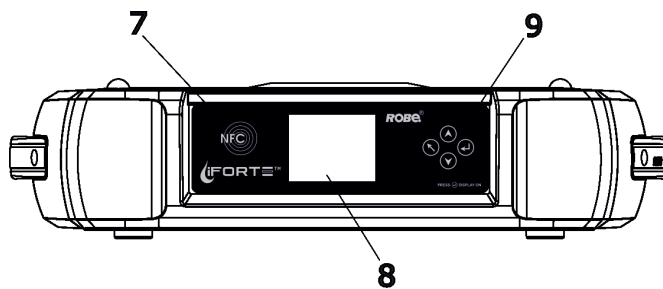


## 2. Fixture exterior view



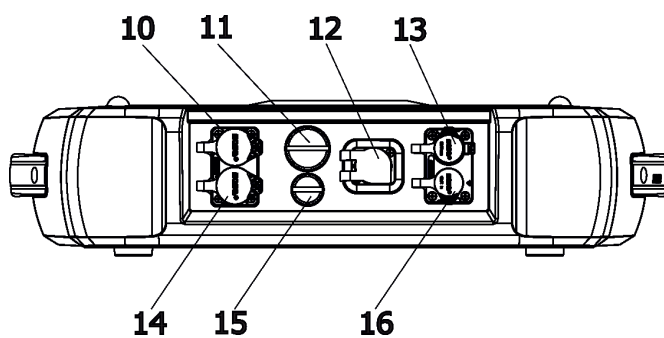
- 1 - Head
- 2 - Arm
- 3 - Handle
- 4 - Base
- 5 - Pan lock
- 6 - Tilt lock

The head has to be locked for transportation - the tilt lock latch (6) and the pan lock latch (5) have to be in the locked positions. To unlock the head, move these latches to unlock position before operating the fixture.



### Front panel of the base:

- 7 - NFC point
- 8 - Display
- 9 - Control buttons



### Rear panel of the base

- 10 - Ethernet out (RJ45)
- 11 - Battery holder
- 12 - Power (PowerCon True 1)
- 13 - DMX out (5-pin XLR)
- 14 - Ethernet In (RJ45)
- 15 - Fuse holder
- 16 - DMX in (5-pin XLR)

### 3. Installation



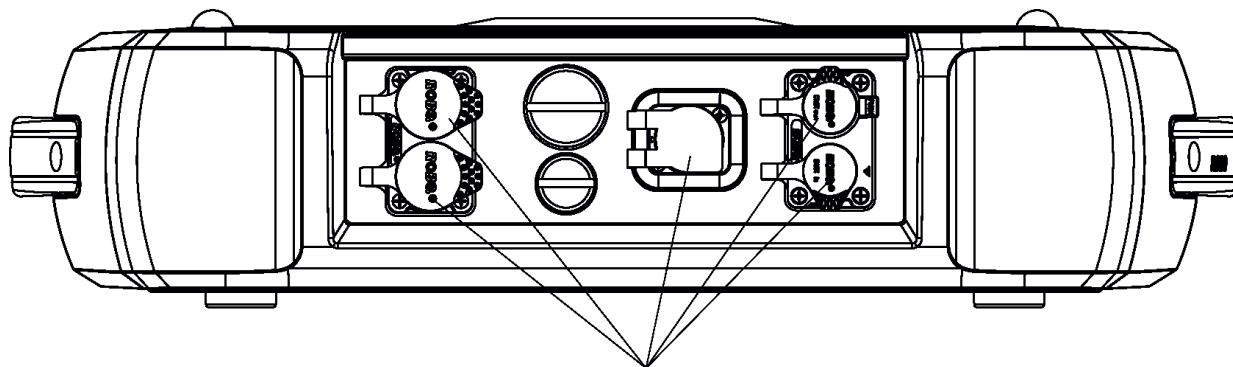
**Fixtures must be installed by a qualified electrician in accordance with all national and local electrical and construction codes and regulations.**

**The Robin iForte's panel connectors are dust and water protected according to IP 65 by mating with related cable connectors. They cannot stay disconnected outdoor.**

**All unused panel connectors have to be sealed by the rubber caps.**

**Visually check panel connectors on accidental water leaks before connecting related cable connectors.**

**If some water will appear in panel connectors, do not connect cable connectors, especially power!**



The rubber caps have to be placed on unused connectors.

#### 3.1 Connection to the mains

To apply power, first check that the head pan and tilt locks are released.

**For protection from electric shock, the fixture must be earthed!  
The fixture has to be connected to an electric outlet which is equipped with a residual-current device (residual-current circuit breaker)!**

Wiring and connection work must be carried out by a qualified electrician.

The Robin iForte is equipped with auto-switching power supply that automatically adjusts to any 50-60Hz AC power source from 100-240 Volts.

Power cable is enclosed to the fixture. If you need to install a power plug on the power cable to allow connection to power outlets, install a grounding-type (earthed) plug, following the plug manufacturer's instructions. If you have any doubts about proper installation, consult a qualified electrician.

Core (EU)	Core (US)	Connection	Plug Terminal Marking
Brown	Black	Live	L
Light blue	White	Neutral	N
Yellow/Green	Green	Earth	PE/GND

This device falls under class one and must be earthed (grounded).

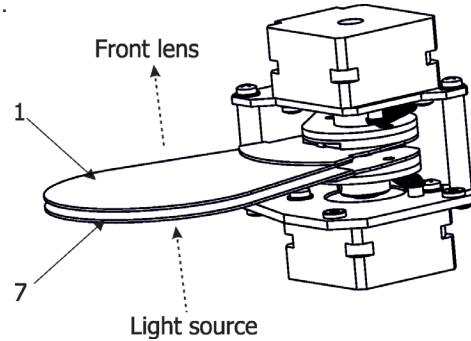
Ensure all connections and the power plug on the cable are properly sealed.

## 3.2 Replacing the frosts

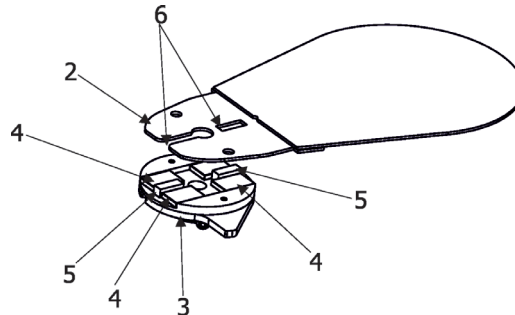
***Unplug the fixture from mains before replacing the frosts!***

To replace the frost.

1. Disconnect the fixture from mains and allow it to cool for 40 minutes.
2. Remove cover of the head by unscrewing 6 hex socket head screws M5x16 on the cover to get access to the 1° frost (1) and 5° frost (7).



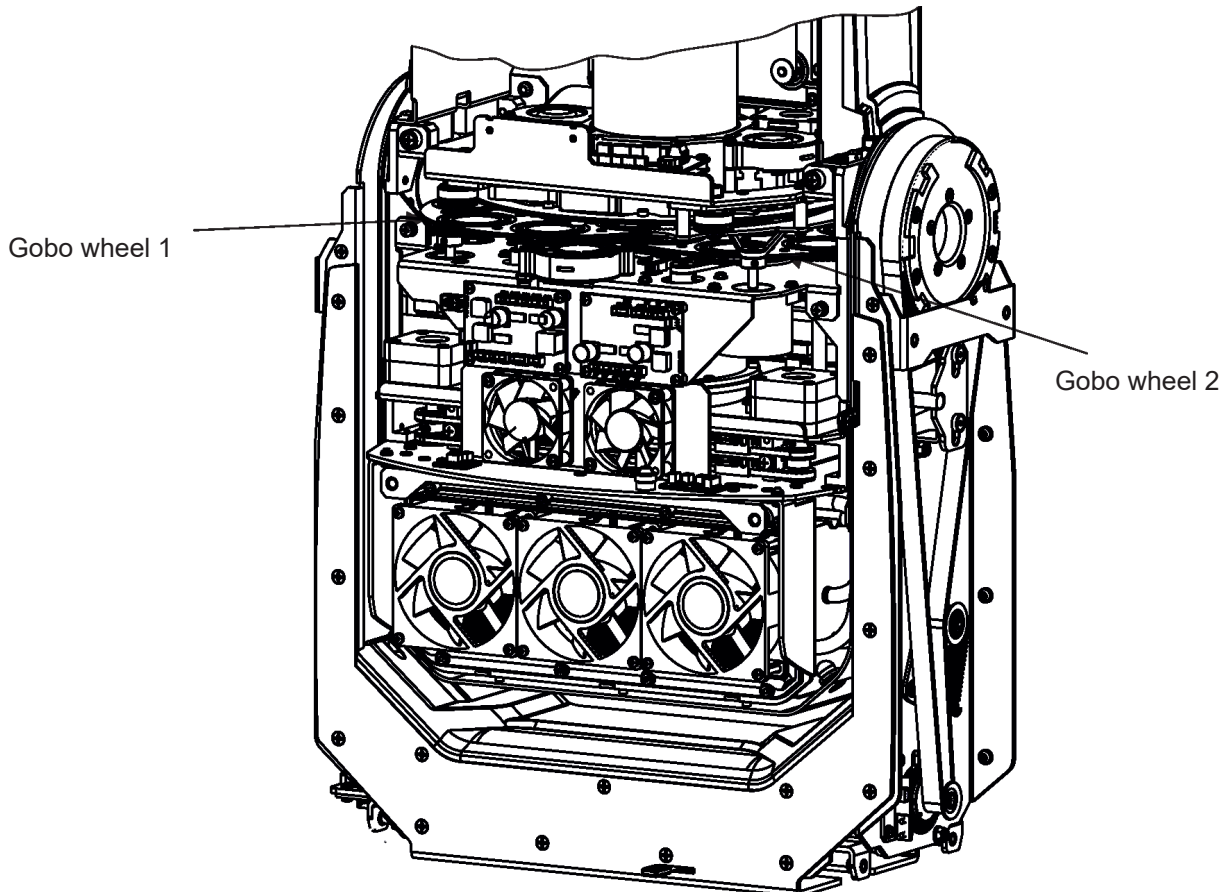
3. The holder (2) of the frost foil is fastened to the frost holder (3) by means of the four magnets (4). Grip the holder (2) and carefully tilt it out to break a force of magnets (4) on the frost holder (3).



4. Place a new frost module into the frost holder (3). Check, that both slots (6) snapped correctly into two protrusions (5) in the holder (3).
5. Place the head cover back on the fixture and screw it by means of the six hex socket head screws M5x16 before applying power.

### 3.3 Replacing rotating gobos

1. Close a light output of the fixture and allow the fixture to cool about 40 minutes.
2. Remove cover of the head by unscrewing 6 hex socket head screws M5x16 on the cover to get access to gobo wheels.
3. Connect the fixture to mains. Go to the tab "Service", select the menu "Adjust DMX values " and move the fixture head to the position which is suitable for changing rot. gobos as shown on the picture below.

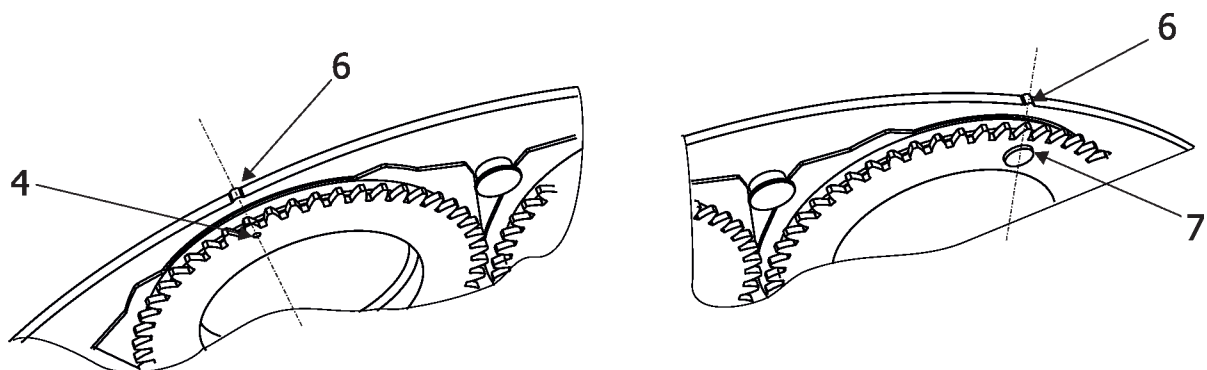


4. Escape from the menu "Adjust DMX values " and go to the menu " Rotating Gobos Change" in the same tab, select menu Gobo Carousel 1 (or Gobo Carousel 2) and enter the menu.
5. Select a gobo (G1-Mg, G2, G3, G4, G5, G6, G7) which you wish to replace. The selected gobo will move to the accessible position for its changing.

Note: "G1-Mg" means the gobo holder with a magnet.

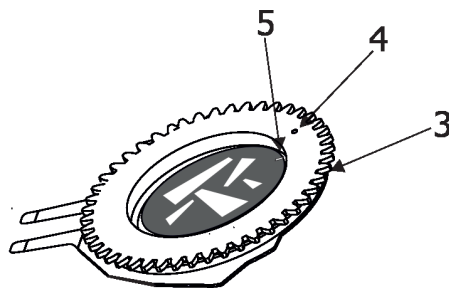
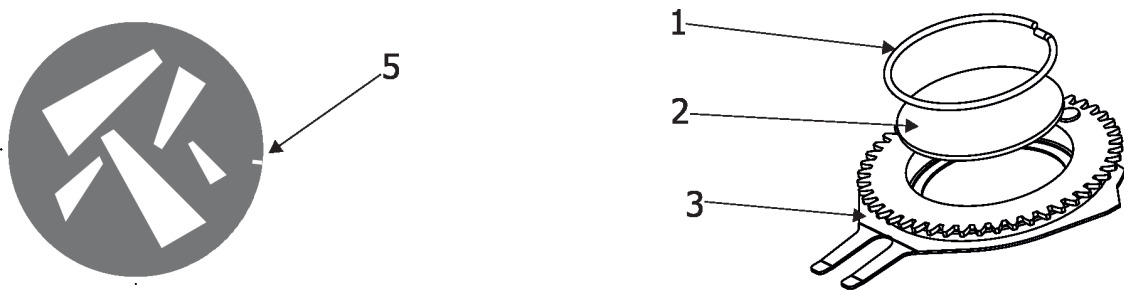
6. Check that the position point (4) on the gobo holder aims exactly to the toothlike projection (6) on the edge of the rotating gobo wheel. If not, go to the option "Gobo Offset" and adjust the position point (4) exactly opposite of the toothlike projection(6). Adjusted value in the "Gobo Offset" is valid for all gobos on the gobo carousel.

Note: The magnet (7) on the gobo holder substitutes the position point (4).

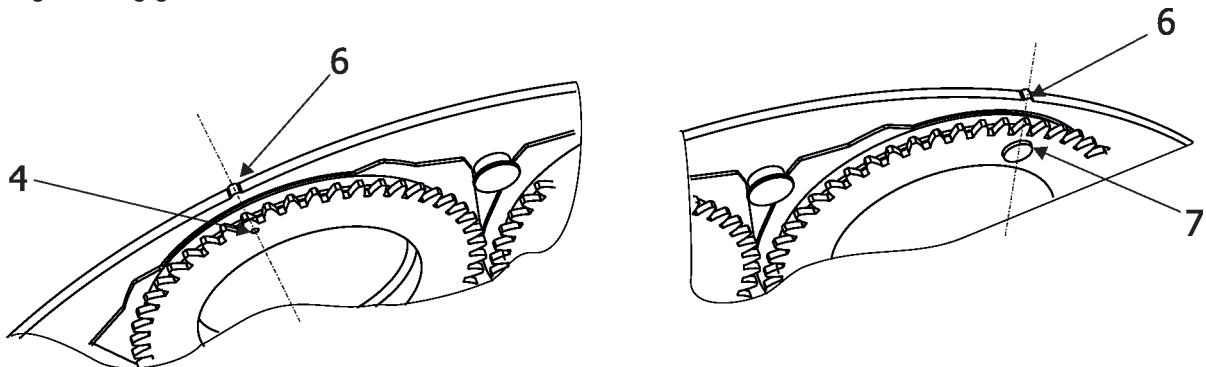


7. Gently pull up the gobo holder (3) from the rotation gobo carousel.

8. Remove the spring lock (1) with an appropriate tool (e.g. small-bladed screwdriver).  
Do not touch the surface of the pattern of the glass gobo with bare fingers.
9. Remove the original gobo (2) and insert the new one (grey side towards the light source, black side towards the front lens).  
The Robe gobo has a small position point (5) at its edge which has to aim at the position point (4) on the gobo holder (3). Insert the spring lock (1) to secure correct gobo position in the gobo holder (3).



10. Insert the gobo holder back into gobo carousel in this way, that its position point (4) (or magnet (7)) has to exactly aim at a small toothlike projection (6) on the edge of the rotating gobo wheel. Do not move with neighbouring gobo holders.



11. Escape the gobo item and enter another gobo item which you want to replace. You do not need to set the gobo offset again. Repeat steps 6, 8-12 for all gobos which you need to replace on the gobo carousel.

### 3.4 Rigging the fixture

A structure intended for installation of the fixture(s) must safely hold weight of the fixture(s) placed on it. The structure has to be certificated to the purpose.

The fixture (fixtures) must be installed in accordance with national and local electrical and construction codes and regulations.

***For overhead installation, the fixture must be always secured with a safety wire that can bear at least 10 times the weight of the fixture***

When rigging, derigging or servicing the fixture staying in the area below the installation place, on bridges, under high working places and other endangered areas is forbidden.

The operator has to make sure that safety relating and machine technical installations are approved by an expert before taking into operation for the first time and after changes before taking into operation another time.

The operator has to make sure that safety relating and machine technical installations are approved by a skilled person once a year.

Allow the fixture to cool for ten minutes before handling.

The projector should be installed outside areas where persons may walk by or be seated.

IMPORTANT! OVERHEAD RIGGING REQUIRES EXTENSIVE EXPERIENCE, including calculating working load limits, installation material being used, and periodic safety inspection of all installation material and the projector. If you lack these qualifications, do not attempt the installation yourself, but use a help of professional companies.

CAUTION: Fixtures may cause severe injuries when crashing down! If you have doubts concerning the safety of a possible installation, do not install the fixture!

The fixture has to be installed out of the reach of public.

The fixture must never be fixed swinging freely in the room.

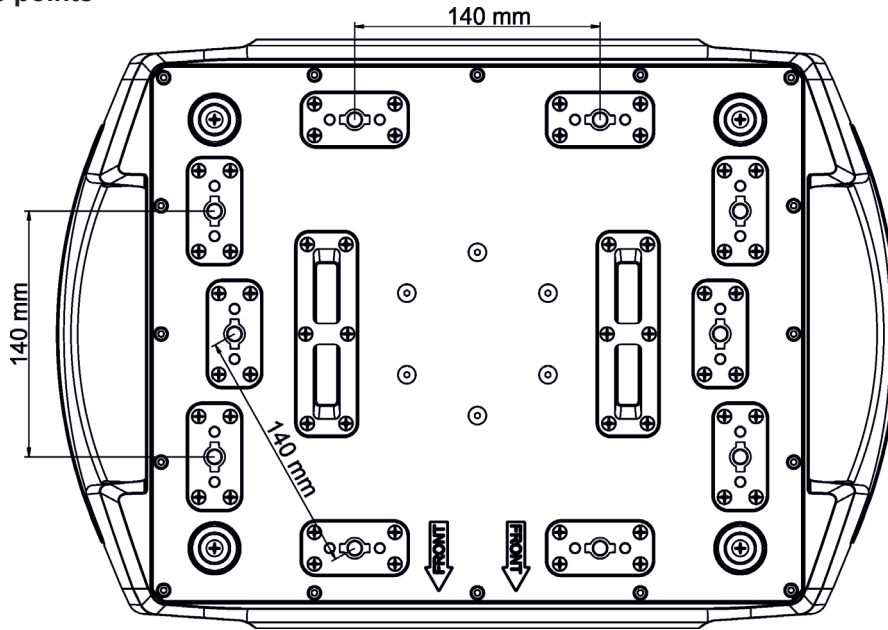
***Danger of fire !  
When installing the device, make sure there is no highly inflammable material (decoration articles, etc.) in a distance of min. 1 m.***

***CAUTION!  
Use 2 appropriate clamps to rig the fixture on the truss.  
Follow the instructions mentioned at the bottom of the base.  
Make sure that the device is fixed properly! Ensure that the structure (truss) to which you are attaching the fixtures is secure.***

The fixture can be placed directly on the stage floor or rigged in any orientation on a truss without altering its operation characteristics .

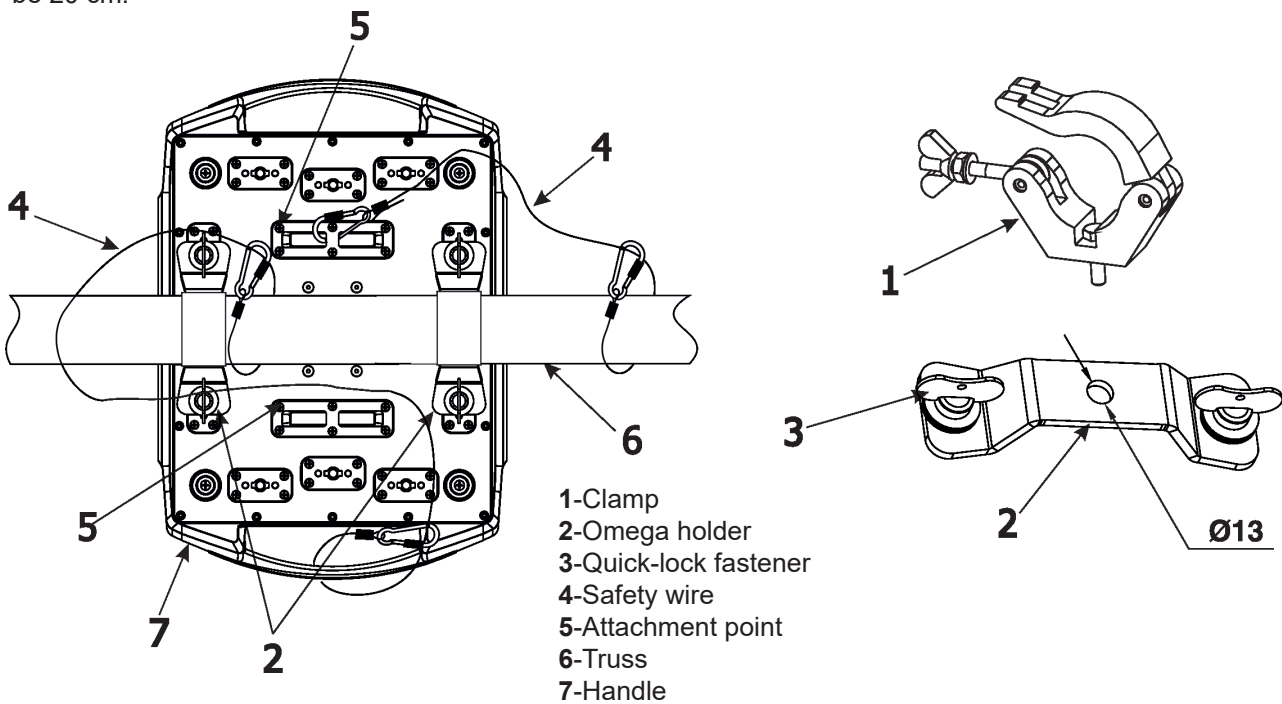
For securing the fixture to the truss, install a safety wire which can hold at least 10 times the weight of the fixture. Use only the safety wire with a snap hook with screw lock gate.

**Omega holders points**



**Truss installation**

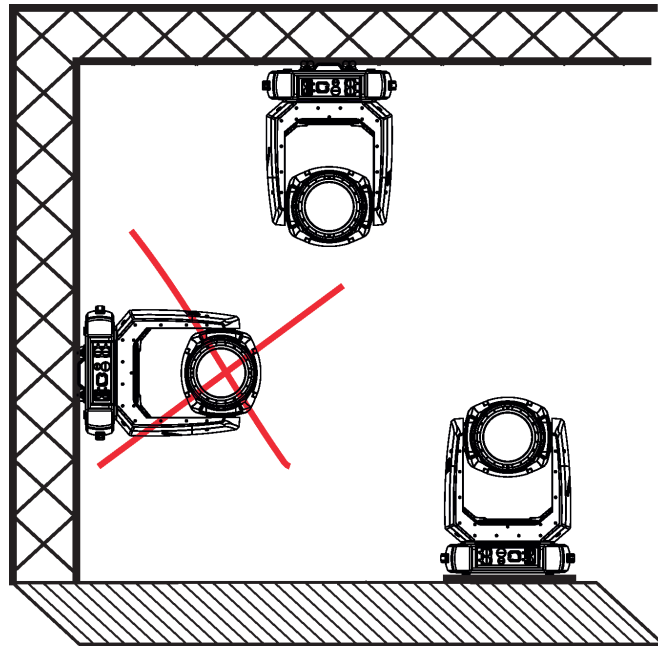
1. Bolt each clamp (1) to the omega holder (2) with M12 bolt and lock nut through the hole in the holder.
2. Fasten the omega holders to the bottom of the base by inserting both quick-lock fasteners (3) into the holes of the base and tighten fully clockwise.
3. Clamp the fixture on a truss (6) and tighten the rigging clamps (1).
4. Pull one safety wire (4) around the truss (6) and through the handle (7) and another safety wire (4) pull around the truss (6) and through the handle (7) and lock the snap hook of the safety wire in the attachment point (5) as shown on the picture below. Use the safety wires of a suitable length that maximum fall of the fixture will be 20 cm.



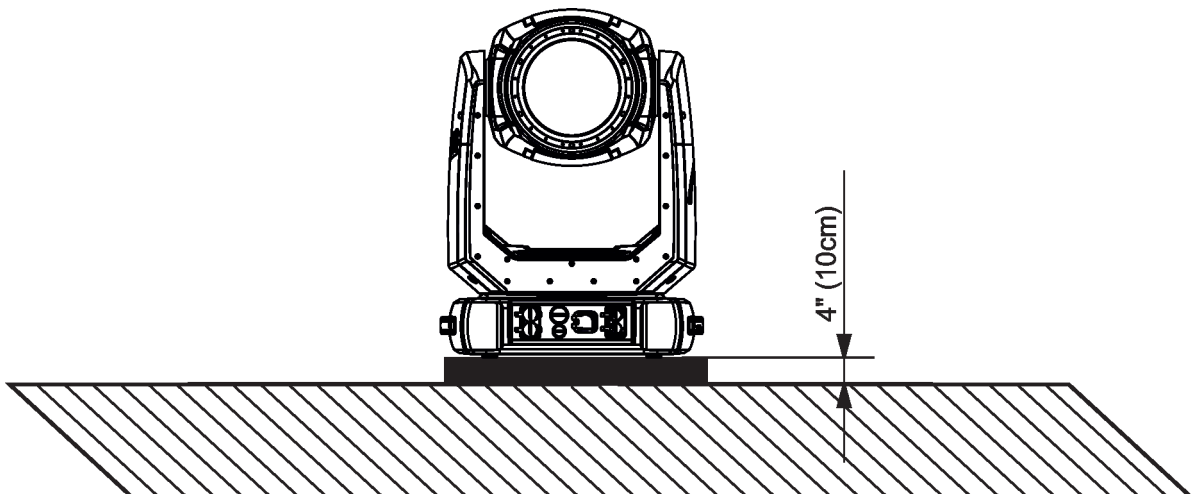
***When installing fixtures side-by-side,  
avoid illuminating one fixture with another!***

***DANGER TO LIFE!  
Before taking into operation for the first time, the installation has to be approved by  
an expert!***

**Allowed installation positions of the iForte:**



Note for open-air installation: if the fixture is standing on the ground, min. distance of 4" (10cm) between the fixture base and the ground has to be kept.



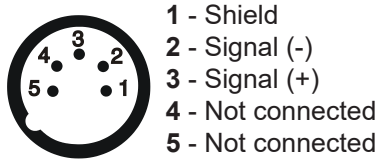


### 3.5 DMX-512 connection

The fixture is equipped with 5-pin XLR sockets for DMX input and output. Use a shielded twisted-pair cable designed for RS-485 and 5-pin XLR-plugs and connectors in order to connect the controller with the fixture or one fixture with another.

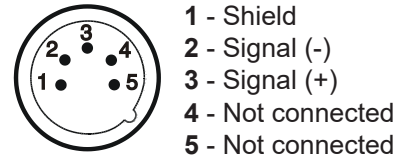
#### DMX output

XLR mounting sockets (rear view):



#### DMX input

XLR mounting plugs (rear view):

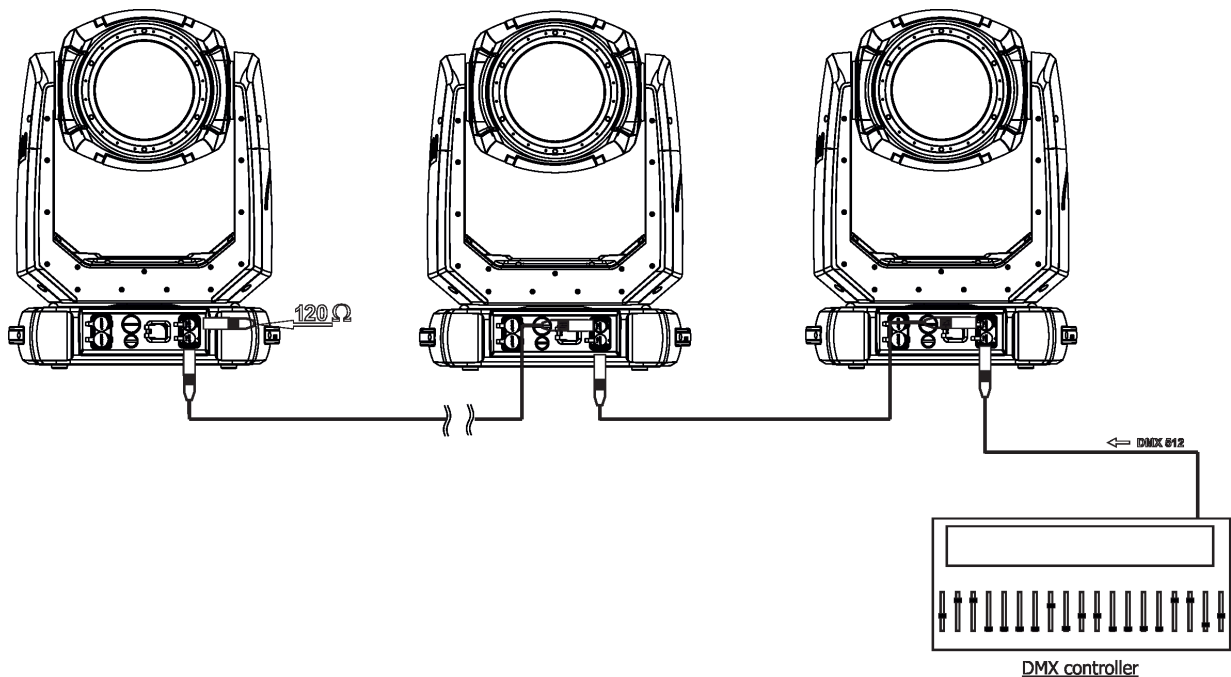


If you are using the standard DMX controllers, you can connect the DMX output of the controller directly with the DMX input of the first fixture in the DMX chain. If you wish to connect DMX controllers with other XLR outputs, you need to use adaptor cables.

#### Building a serial DMX chain:

Connect the DMX output of the first fixture in the DMX chain with the DMX input of the next fixture. Always connect one output with the input of the next fixture until all fixtures are connected. Up to 32 fixtures can be connected.

**Caution:** At the last fixture, the DMX cable has to be terminated with a terminator. Solder a 120 Ω resistor between Signal (-) and Signal (+) into a 5-pin XLR plug and plug it in the DMX output of the last fixture.



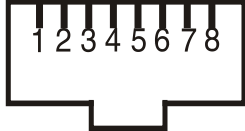
### 3.6 Ethernet connection

The fixtures on a data link are connected to the Ethernet with appropriate communication protocol (e.g. Art-Net). The control software running on your PC (or light console) has to support Art-Net protocol. Art-Net communication protocol is a 10 Base T Ethernet protocol based on the TCP/IP. Its purpose is to allow transfer of large amounts of DMX 512 data over a wide area using standard network technology.

**IP address** is the Internet protocol address. The IP uniquely identifies any node (fixture) on a network. **The Universe** is a single DMX 512 frame of 512 channels.

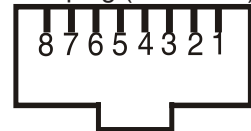
The Robin iForte is equipped with 8-pin RJ-45 sockets for Ethernet connection. Use a network cable category 5 (with four “twisted” wire pairs) and standard RJ-45 plugs in order to connect the fixture to the network.

RJ-45 socket (front view):



- 1- TD+
- 2- TD-
- 3- RX+
- 4- Not connected
- 5- Not connected
- 6- RX-
- 7- Not connected
- 8- Not connected

RJ-45 plug (front view):




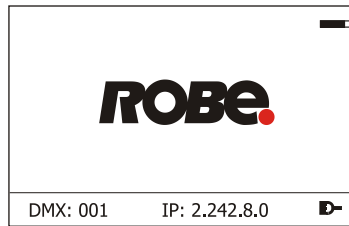
Patch cables that connect fixtures to the hubs or LAN sockets are wired 1:1, that is, pins with the same numbers are connected together:



If only the fixture and the computer are to be interconnected, no hubs or other active components are needed. A cross-cable has to be used:



If the fixture is connected with active Ethernet socket (e.g. switch) the network icon  will appear at the bottom right corner of the screen:



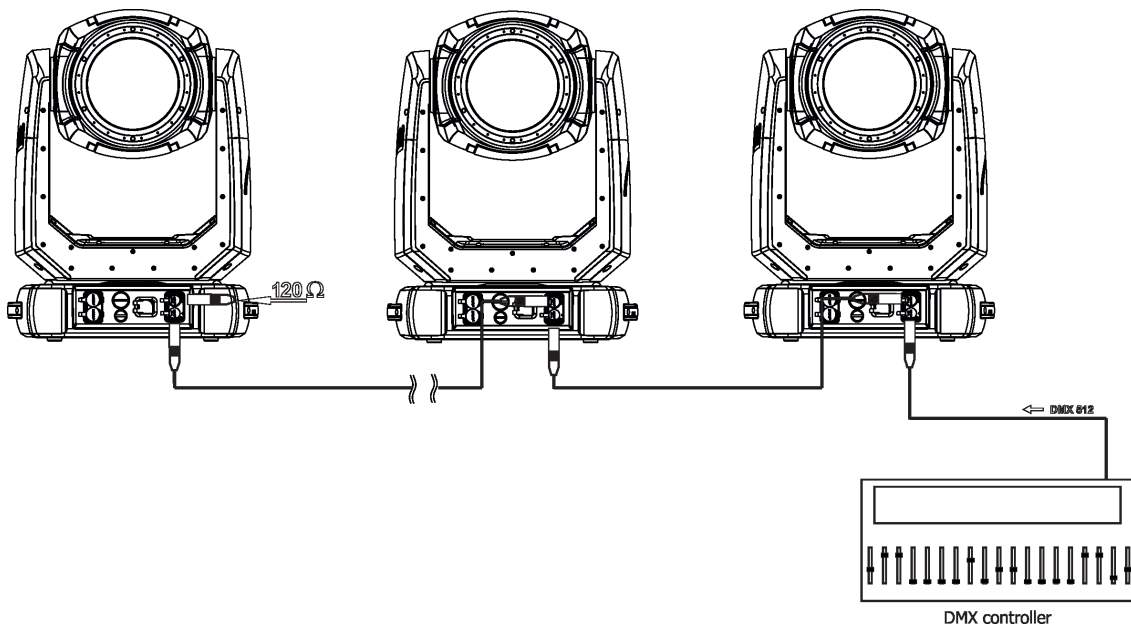
#### Ethernet operation

Connect the Ethernet inputs of all fixtures with the Ethernet network. Option “Artnet” (gMal or gMA2 or sACN) has to be selected from “Ethernet Mode” menu at each fixture. Set IP address (002.xxx.xxx.xxx / 010.xxx.xxx.xxx) and the Universe at each fixture.

(DMX address=163)  
IP address=002.168.002.004  
Universe=1

(DMX address=55)  
IP address=002.168.002.003  
Universe=1

(DMX address=1)  
IP address=002.168.002.002  
Universe=1



An advised PC setting: IP address: 002.xxx.xxx.xxx (Different from fixture IP addresses)  
NET mask: 255.0.0.0

The fixture is equipped with Ethernet Pass through switch which sustains Ethernet integrity, when the fixture has no power, it automatically maintains network connectivity.

If you use the Ethernet IN-OUT way for the Ethernet connection, max. 8 fixtures can be connected in the IN-OUT line.

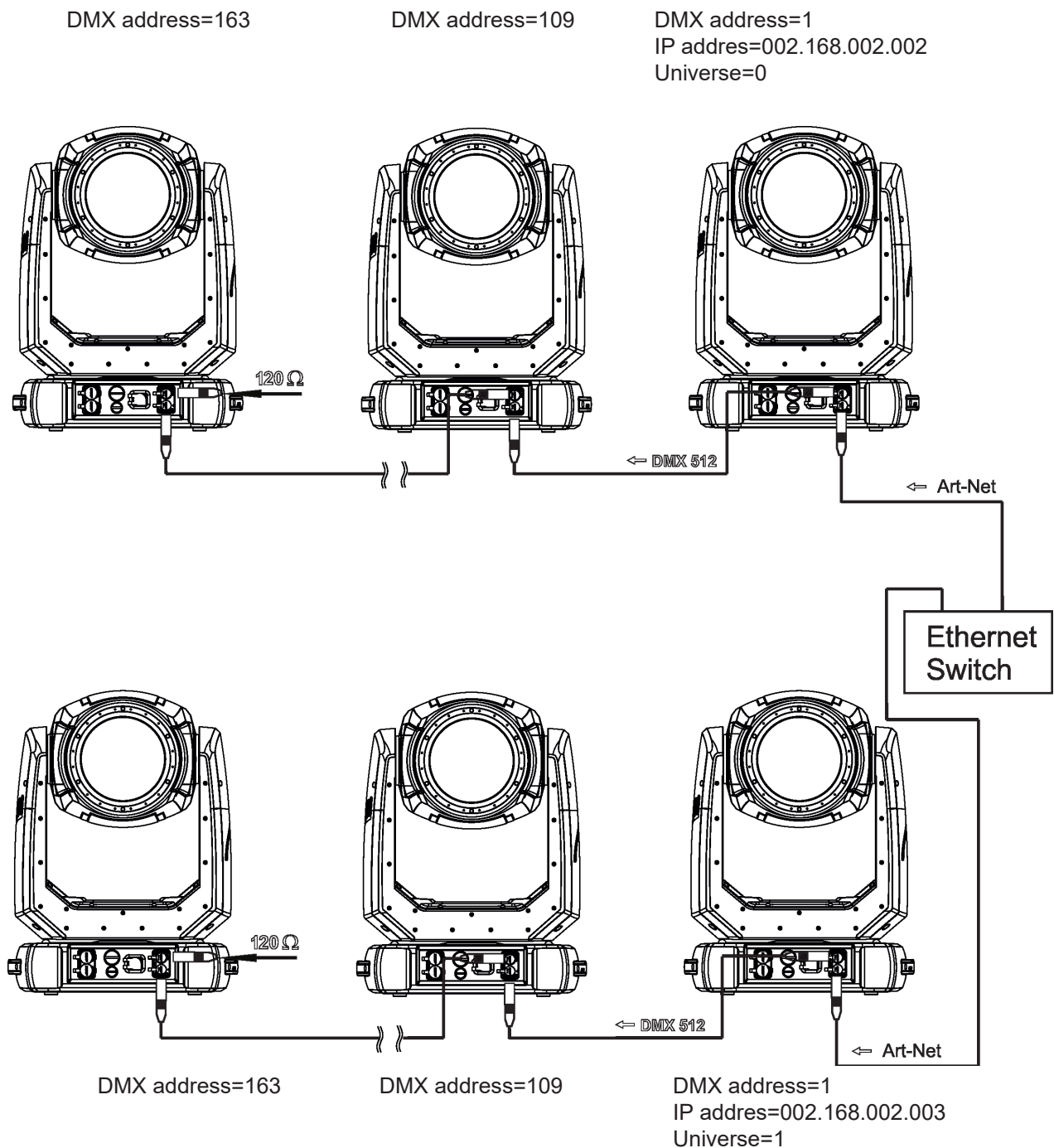
### Ethernet / DMX operation

Option "Artnet" (gMal or gMA2 or sACN) has to be selected from "Ethernet Mode" menu at first fixture. Option "Ethernet To DMX" has to be selected from the "Ethernet Mode" menu at the first fixture (connected to the Ethernet) in the fixture chain, next fixtures have standard DMX setting.

Connect the Ethernet input of the first fixture in the data chain with the network. Connect the DMX output of this fixture with the input of the next fixture until all fixtures are connected to the DMX chain.

**Caution:** At the last fixture, the DMX chain has to be terminated with a terminator. Solder a 120 Ω resistor between Signal (-) and Signal (+) into a XLR-plug and connect it in the DMX-output of the last fixture.

Example:



### 3.7 Wireless DMX operation

The wireless version of the Robin iForte is equipped with the Lumen Radio CRMX module and antenna for receiving DMX signal. CRMX module operates on the 2.4 GHz band.

The item " Wireless " from the menu "DMX Input" allows you to activate receiving of wireless DMX (Personality--> DMX Input -->Wireless.). First two options from the "DMX Input" menu are stated in DMX chart as well (channel Power/Special functions , range of 10-19 DMX). If DMX input option is changed by DMX command, the change is permanently written into fixture's memory.

**DMX range of 10-19 switching fixture to the wired/wireless operation is active only during first 10 seconds after switching the fixture on.**

After switching the fixture on, the fixture checks both modes of receiving DMX in the following order:

1. For the first five seconds, the fixture receives DMX signal from the wired input. If the Power/Special functions channel is set at some DMX input option, the fixture will receive DMX value according to this option. If DMX input option is set to the wired input , this option is saved and checking procedure is finished. If DMX input option is not set, the fixture continues next 5 seconds in scanning wireless DMX signal-see point 2.
2. For the next 5 seconds the fixture receives wireless DMX signal and again detects if the Power/Special functions channel is set at some DMX input option, if not, the fixture will take option which is set in the fixture menu "DMX Input".

To link the fixture with DMX transmitter.

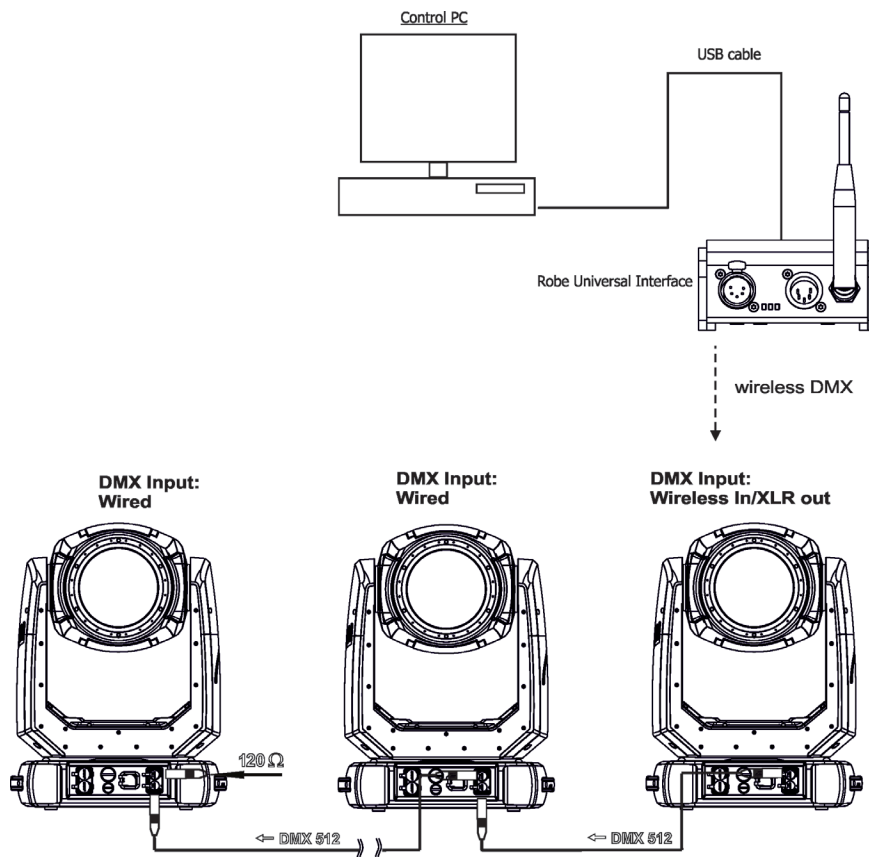
The fixture can be only linked with the transmitter by running the link procedure at DMX transmitter . After linking , the level of DMX signal ( 0-100 %) is displayed in the menu item "Wireless State" (Information -->Wireless State).

To unlink the fixture from DMX transmitter.

The fixture can be unlinked from transmitter via the menu item " Unlink Wireless Adapter" (Information--> Wireless State --> Unlink Wireless Adaptor).

**Note:** If the option "Wireless In/XLR Out" is selected (Personality--> DMX Input -->Wireless In/XLR Out), the fixture receives wireless DMX and sends the signal to its wired DMX output. The fixture behaves as " Wireless/ Wired" adaptor.

Example of connection:



## 4. Remotely controllable functions

### Effect wheel

The wheel rotates in both directions with variable speed which creates wide spectrum of graphic effects.

### Gobo wheels

The fixture includes two rotating gobo wheels with 6 glass gobos each, rotating in both directions, indexable, replaceable "SLOT&LOCK" system.

### Prisms

The fixture includes two rotating prisms: 6-facet linear prism and 6-facet circular prism. Each prism rotates in both directions at different speeds. The 6-facet linear prism is indexable.

### Frost

Two frost filters (light 1° and medium 5°) provide variable frost for fine frosting. Both frosts are replaceable.

### Iris

Motorized adjustable iris, wide range of variable pulse effects.

### Zoom

Motorized zoom unit enables zoom between 5° - 55°.

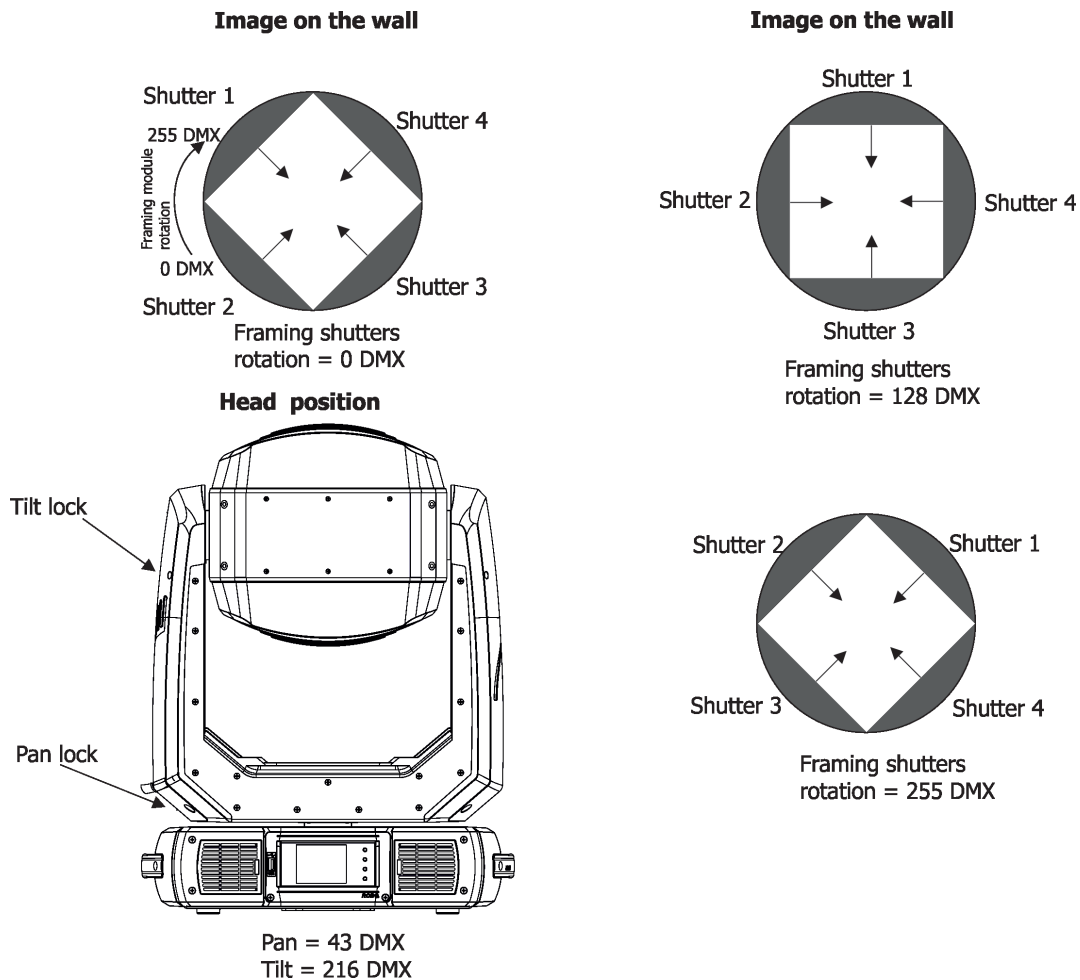
### Focus

Motorized focus allows to focus beam from approx. 2 meters to infinity.

### Framing system

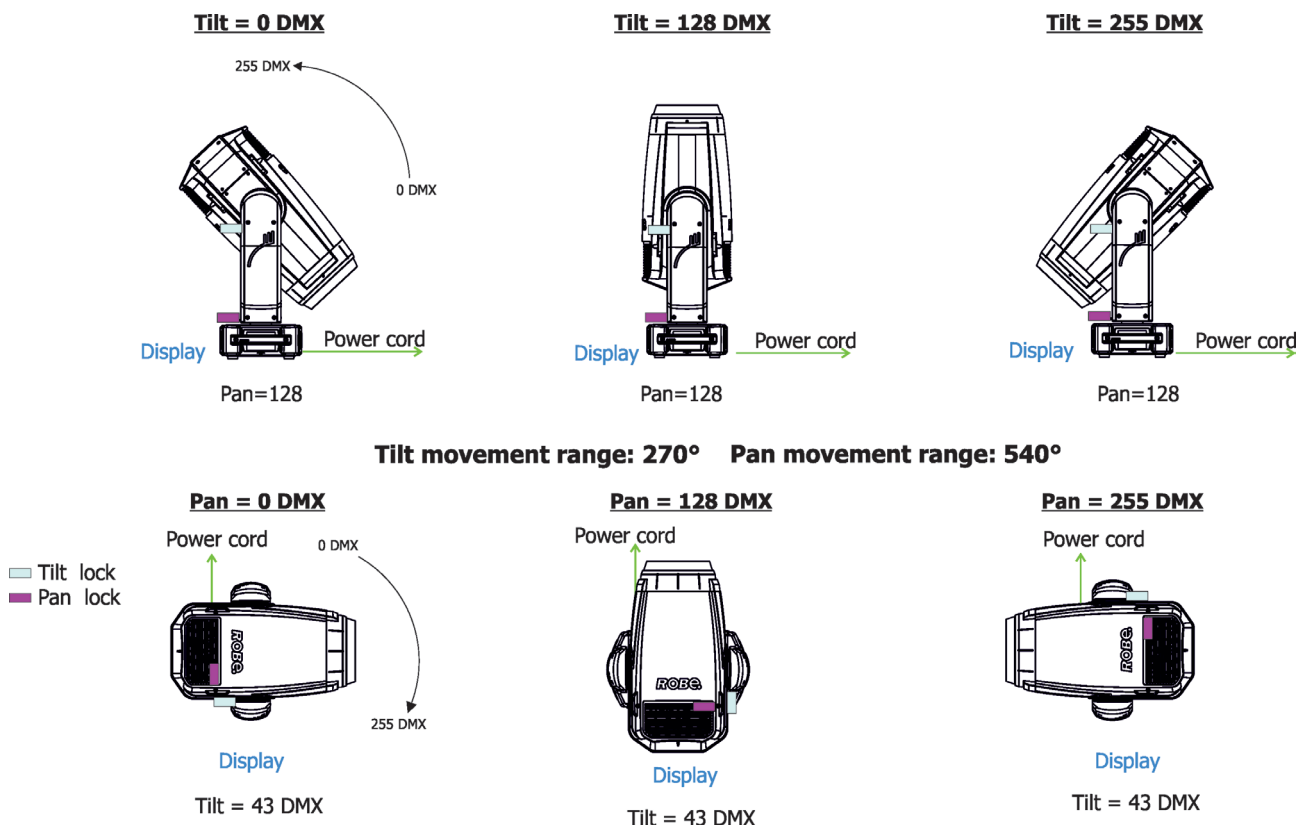
Framing system consists of four framing shutters. There is individual control of each shutter blade position and angle, together with rotation of the complete framing module. As well as providing a sharp precise or soft frame for the projected image.

Framing system orientation:



## Pan/Tilt

Fast pan/tilt movement due to built-in electronic motion stabilizer (EMS). The electronic motion stabilizer ensures precise position of the fixture's head during its movement and reduces its swinging when the truss shakes. Pan /Tilt movement range: 0-540°/0-270°.



## Colour wheel 1

This wheel contains five dichroic filters + open. The colour wheel can be positioned between two adjacent colours in any position. It is also possible to rotate the colour wheel continuously at different speeds ("Rainbow effect" in both directions).

## Colour wheel 2

This wheel contains one multicolour filter, two dichroic filters and two CRI filters (80, 90) + open. The colour wheel can be positioned between two adjacent colours in any position. It is also possible to rotate the colour wheel continuously at different speeds ("Rainbow effect" in both directions).


## CMY+CTO colour mixing system

The CMY color mixing system is based on graduated cyan, magenta, and yellow colour filters. A continuous range of colors may be achieved by varying the amount of each filter from 0 to 100%.

## 5. Control menu map

Default settings=**Bold print**

Tab	Level 1	Level 2	Level 3	Level 4	Level 5	Level 6
Addressing	Settings	DMX Address	001-512			
	DMX Preset channels	Mode 1				
		Dimmer Fine				
	Ethernet Settings	Ethernet Mode	Disable			
			ArtNet			
			gMA1			
			gMA2			
			sACN			
		Ethernet To DMX	<b>Off</b> , On			
		IP Address/Net Mask	Default IP Address			
			Custom IP Address			
			Net Mask			
		ArtNet Universe	0-255			
		MANet settings	MANet/II Universe	01-256		
			MANet Session ID	01-32		
		sACN Settings	sACN Universe	00001-32000		
Information	Fixture Times	Power On Time	Total Hours			
			Resetable Hours			
		LEDs On Time	Total Hours			
			Resetable Hours			
		Air Filters	Elapsed Time			
			Alert Period	10-300		
	Fixture Temperatures	LEDs Temperatures	Cur.rent			
			Maximum NonRes..			
			Maximum Res..			
		Driver Temperature	Cur.rent			
			Maximum NonRes..			
			Maximum Res..			
		Base Temperature	Current			
			Maximum NonRes.			
			Maximum Res.			
	DMX Values	Pan				
		:				
		Dimmer Fine				
	Wireless State	Signal Quality				
		Unlink Wireless Adapter				
	Power Channel state					
	Software Versions	Display System				
		Module M				
		Module L1				
		Module L2				
		Module O				
		Module F-A				
		Module F-B				
		Module G1				
		Module G2				
		Module P				
		Module C1				
		Module C2				

Tab	Level 1	Level 2	Level 3	Level 4	Level 5	Level 6
		Module FR				
	Product IDs	Mac Address				
		RDM UID				
		RDM Label				
	LED Module info	First Module Assembly				
		Actual Module Info				
		Assembly History				
		Intensity History				
	LED Modules History					
	View Logs	Fixture Errors				
		Fixture States	Power On			
			Power Off			
		Fixture Position				
		Fixture Temperatures	LEDs Temperature			
			Driver Temperatures			
			Base Temperatures			
Personality	User Mode	User A Settings				
		User B Settings				
	DMX Preset channels	Mode 1				
		Dimmer Fine				
	DMX Input	<b>Wired</b>				
		Wireless				
		Wireless In/XLR Out				
	Pan/Tilt Settings	Pan Reverse	<b>Off, On</b>			
		Tilt Reverse	<b>Off, On</b>			
		Pan/Tilt Feedback	<b>Off, On</b>			
		Pan/Tilt mode	Time			
			<b>Speed</b>			
	Pan/Tilt EMS	<b>Off, On</b>				
	Follow Spot Mode	<b>Off</b>				
		Soft				
		Medium				
		Hard				
	Pan/Tilt Limitation	Pan Min. Value	0-255			
		Pan Max. Value	0-255			
		Tilt Min. Value	0-255			
		Tilt Max. Value	0-255			
	Microphone Sensitivity	1-10-20				
	Blackout Settings	Blackout During M.C.	<b>Off, On</b>			
		Blackout while:	Pan/Tilt moving	<b>Off, On</b>		
			Colour Wheel Moving	<b>Off, On</b>		
			Gobo Wheel Moving	<b>Off, On</b>		
	Frequency Setup	300 Hz				
		<b>600Hz</b>				
		1200Hz				
		2400Hz				
		Frequency Adjust				
	Init Effect Positions	Pan	0-255			
		:				
		Dimmer Fine	0-255			
	Screen Settings	Display Intensity	1-10			
		Screen Saver Delay	<b>Off-10min.</b>			
		Touchscreen Lock	<b>Off-10min.</b>			



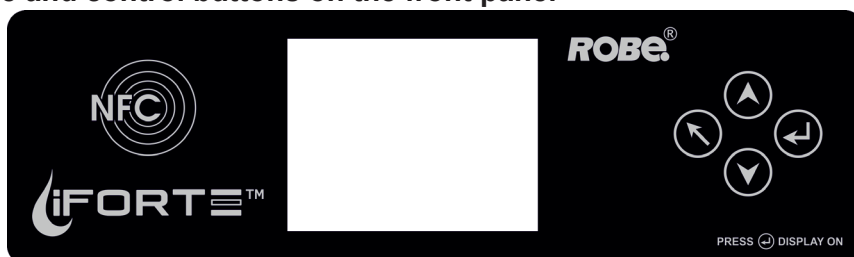
Tab	Level 1	Level 2	Level 3	Level 4	Level 5	Level 6
		Recalibrate Touchscreen				
		Display Orientation	Normal			
			Inverted			
			<b>Auto</b>			
	Temperature Unit	°C, °F				
	Fan Settings	Fan mode	<b>Auto</b>			
			High			
			Quiet			
		Quiet - Blackout Fan Off	On, <b>Off</b>			
	Dimmer Curve	Linear				
		<b>Square Law</b>				
		Super Square Law				
	Gobo Indexing	<b>Max. Speed &amp;ShortCut</b>				
		Follow Speed & Direction				
		Max. Speed &ShortCut				
	Gobo Wheels Mode	<b>Shake</b>				
		Continual				
	Date & Time Settings					
	Focus Tracking	<b>Off, On</b>				
	Default Settings					
	Password Protection	<b>Off, On</b>				
	Reset Web Password					
Manual Control	Reset Functions	Total System Reset				
		Pan/Tilt reset				
		Color System Reset				
		Gobo/Eff. Wh. Reset				
		Optics/Prism/Frost Res.				
		Iris/framing Sh. Reset				
	Manual Effect Control	Pan	0-255			
		:				
		Dimmer Fine	0-255			
Stand -Alone	Test Sequences	Dynamic Mode				
		Static Mode	Pan	0-255		
			Tilt	0-255		
			Zoom	0-255		
			Focus	0-255		
	MusicTrigger	<b>Off, On</b>				
	Preset Playback	<b>None</b>				
		Test				
		Prog. 1				
		Prog. 2				
	Play Program	Play Program 1				
		Play Program 2				
	Edit Program	Edit Program 1	Start Step	1-80		
		Edit Program 2	End Step	1-80		
			Edit Program Steps	Step 1	Pan	0-255
				:	:	
				:	Dimmer Fine	0-255
				:	Step Time	0-25,5 sec.
				Step 80	Pan	0-255
					:	
					Dimmer Fine	0-255
					Step Time	0-25,5 sec.

Tab	Level 1	Level 2	Level 3	Level 4	Level 5	Level 6
Service	Adjust DMX Values	Pan	0-255			
		:				
		Dimmer Fine	0-255			
	Calibrations	Calibrate Effects	Pan	0-255		
			Tilt	0-255		
			Effect Wheel	0-255		
			Rot. Gobo Wheel 1	0-255		
			R. Gobo Index 1/1	0-255		
			:	:		
			R. Gobo 1 Index 1/6	0-255		
			Rot. Gobo Wheel 2	0-255		
			R. Gobo 2 Index 2/1	0-255		
			:	:		
			R. Gobo 2 Index 2/6	0-255		
			Colour Wheel 1	0-255		
			Colour Wheel 2	0-255		
			Prism 1	0-255		
			Prism 2	0-255		
			Zoom	0-255		
			Focus	0-255		
			Iris	0-255		
			Frost 1/1	0-255		
			Frost 1/2	0-255		
			Frost 2/1	0-255		
			Frost 2/2	0-255		
			Fr. Shutters rot.	0-255		
			Fr. Shutter 1 Move	0-255		
			Fr. Shutter 1 Swiv	0-255		
			Fr. Shutter 2 Move	0-255		
			Fr. Shutter 2 Swiv	0-255		
			Fr. Shutter 3 Move	0-255		
			Fr. Shutter 3 Swiv	0-255		
			Fr. Shutter 4 Move	0-255		
			Fr. Shutter 4 Swiv	0-255		
		Calibrate Fr. Hysteresis	Framing Lamella 1	0-8		
			Framing Lamella 2	0-8		
			Framing Lamella 3	0-8		
			Framing Lamella 4	0-8		
		Calibrate Pan/Tilt EMS				
		Calibrate Pan/Tilt Reset				
		Load Default Calibrations				
	Rotating Gobos Change	Gobo Carousel 1	G1-Mg			
			G2			
			:			
			G7			
			Gobo Offset	0-255		
	LEDs Measure					
	Pressure Test					
	Update Software					




## 6. Control menu

The Robin iPointe65 is equipped with the QVGA screen with battery backup and four control buttons which allow you to set the fixture's behaviour according to your needs, obtain information on its operation, test its various parts and program it, if it has to be used in a stand-alone mode. The fixture supports NFC (Near-Field Communication).













### NFC interface and control buttons on the front panel



### Control buttons on the front panel:

-  - [ESCAPE] button used to leave the menu without saving changes.
-  - [NEXT], [PREV] buttons for moving between menu items and symbols, adjusting values.
-  - [ENTER/Display On] button used to enter the selected menu item and to confirm adjusted value. If the fixture is disconnected from mains, the button switches the screen on (for a while).

### Icons used in the touch screen menu:

-  - [back arrow] used to move back to the previous screen (menu).
-  - [up arrow] used to move up on the previous page.
-  - [down arrow] used to move down on the next page.
-  - [confirm] used to save adjusted values, to leave menu or to perform desired action.
-  - [cancel] used to leave menu item without saving changes.
-  - [confirm+copy] used to save adjusted values and copy them to the next prog. step.
-  - [warning icon] used to indicate some error which has occurred in the fixture.
-  - [Ethernet] used to indicate Ethernet connected.
-  - [menu rotation] used to rotate menu 180 degrees from current orientation.
-  - [slider control] used to recall slider system for setting desired value.
-  - [keyboard control] used to recall keyboard system for setting desired value.
-  - [air filters cleaning] used to signal that cleaning period of the air filters elapsed.

The menu page displays icons for each function that you can perform from the touch screen. After switching the fixture on, the touch screen shows the screen with the ROBE logo. Type of used LED engine in the fixture is displayed on the top line of the screen.



**HP** - High Performance Engine for maximum light output and optimal colour characteristics.

**HCF** - High Colour Fidelity Engine for the best light quality and colour reproduction.

The type of used LED engine is displayed if the fixture is disconnected from power as well.

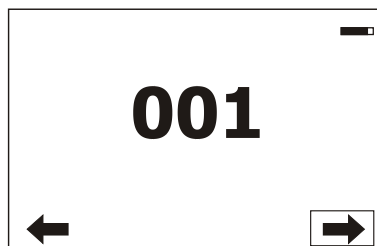
The green icon at the top right corner of the screen indicates the level of the display battery charging. If the whole icon is green, the battery is fully charged while the red icon indicates exhausted battery. The battery charges during fixture operation, its charging lasts cca 6 hours.

We recommend that the fixture should be in operation at least 7 hours per week to keep the battery fully charged. If you switch the fixture on and this screen will not appear till 1 minute, switch the fixture off and on again. If the screen lights, the battery is exhausted. In case the screen still does not light, the battery is faulty.

This is also indicated by an error message "Faulty battery" and if such an error message appears the battery should be replaced immediately. The lifetime of the battery is highly dependent on ambient temperature (and consequently on base temperature). If the maximum ambient temperatures (as recorded and displayed in menu: Information -> Fixture Temperatures -> Ambient Temperature -> Maximum NonRes.) are kept within the specified limits, the battery should last for at least two years. Should the ambient temperatures exceed the specified maximum temperature, the lifetime of the batteries could be considerably shortened even up to just one year or less and also result in physical damage (battery leakage) or unreliable fixture functions.

Damage caused by batteries failed due to exceeded maximum ambient temperature cannot be claimed under warranty terms.

Press the [ENTER/Display On] button to display the initial screen with the current stored DMX address:



Press the [ENTER/Display On] button to enter the "Address" menu.

An item may be selected from a screen by pressing the [NEXT] or [PREV] buttons to scroll through list items. With each press, the next item is highlighted. Press [ENTER] to select the highlighted item.

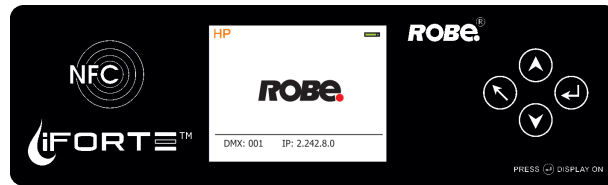
**Before first fixture operation, set current date and time in the menu "Date & Time Settings" (menu path: Personality--> Date & Time Settings).**

### Locking/unlocking the screen.

To lock the screen, display the screen with ROBE logo, touch the [ESCAPE] button and slide your finger clockwise in a circular track of 360° across buttons [ESCAPE] --> [NEXT] --> [ENTER/Display On] --> [PREV]--> [ESCAPE]. The sign "Buttons are locked" will appear on the screen. If this sign will not appear, repeat finger sliding again with a different speed.



To unlock the screen, touch the [ESCAPE] button and slide your finger clockwise in a circular track of 360° across buttons [ESCAPE] --> [NEXT] --> [ENTER/Display On] -->[PREV]--> [ESCAPE].  
The sign "Buttons are locked" will disappear from the screen. If this sign still remains on the screen, repeat finger sliding again with a different speed.



## 6.1 Tab " Address"



**DMX Address** - Select the menu to set the DMX start address.

**DMX Preset channels** - The menu item allows you to choose desired DMX mode.

**Ethernet Settings** - The menu allows all needed settings for the Ethernet operation

### **Ethernet Mode**

**Disable** - The option disables Ethernet operation.

**Artnet** - Fixture receives Artnet protocol

**gMAI** - Fixture receives MANet 1 protocol

**gMA2** - Fixture receives MANet 2 protocol

**sACN** - Fixture receives sACN protocol

**Ethernet To DMX** - Fixture receives protocol from the Ethernet input and sends DMX data to its DMX output (fixture works as an "Ethernet/DMX converter", next fixture can be connected to its DMX output and you can build a standard DMX chain by connecting another fixtures. Only one fixture has to be connected to the Ethernet.

**IP Address/Net Mask** - Select this menu to set IP address. IP address is the Internet protocol address. The IP uniquely identifies any node (fixture) on a network.

There cannot be 2 fixtures with the same IP address on the network!

**Default IP Address** -Preset IP address, you can set up only first byte of IP address (2 or 10) e.g. **002.019.052.086**.

**Custom IP Address** - The option enables to set up all bytes of IP address.

**Net Mask** - The option enables to set up all bytes of Net Mask.

**ArtNet Universe** - Use this item to set a Universe (0-255). The Universe is a single DMX 512 frame of 512 channels.

**MANet Settings** - Use this menu to set parameters for MANet operation.

**MANet Universe I/II** - The value of this item can be set in range 1-256.

**MANet Session ID** - The value of this item can be set in range 1-32.

**sACN Settings** - Use this menu to set parameters for sACN operation.

**sACN Universe** - The value of this item can be set in range 1-32000.

## 6.2 Tab "Information"



**Fixture Times** - The menu provides readouts of fixture and LED module operation hours.

**Power On Time Hours** - Select this menu to read the number of fixture operation hours.

**Total Hours** - The item shows the total number of the operation hours since the Robin iForte has been fabricated.

**Resetable Hours** - The item shows the number of the operation hours that the Robin iForte has been powered on since the counter was last reset.

In order to reset this counter to 0, touch the text box next to the item "Resetable Hours:"

**LED On Time** - Select this menu to read the number of LEDs operation hours.

**Total Hours** - a total time of the LEDs module operation during which a dimmer intensity was > 0%.

**Adaptive Hours** - a relative time of the LEDs module operation during which a dimmer intensity was > 0%.(e.g. if dimmer = 20% for one hour, the adaptive time is 0.2 hour, if dimmer = 100%

for one hour, the adaptive time is 1 hour).

**Air Filters** - Regular cleaning of the air filters is very important for the fixture's life and performance. Build-up of dust, dirt and fog fluid residues reduces the fixture's light output and cooling ability. The two items of this menu help you to keep cleaning period of the air filters.

**Alert period** - Cleaning schedule for the fixture depends on the operating environment. It is therefore impossible to specify accurate cleaning interval. This item allows you to change the cleaning interval of the air filters. This "alert" value is 300 hours and it is set as default. Inspect the fixture within its 300 hours of operation to see whether cleaning is necessary. If cleaning is required, clean all air filters and change the value in this menu on acceptable level. Min. level of alert period is 10 hours, max. is 300 hours.

**Elapsed Time** - The item allows you to read the time which remains to cleaning air filters. The time period is set in the menu mentioned above.

Expired time period is signalled by a negative mark (-) at the time value and a warning icon on the display.

Clean the filters and reset this menu item (by touching the text box next to the item "Elapsed Time").

**Fixture Temperatures** - The menu is used to view temperatures of the fixture's inside.

**LEDs temperature** - The menu shows temperature on the LED PCB in the light source

**Current** - A current temperature of the LED PCB.

**Maximum NonRes.** - A maximum temperature of the LED PCB since the fixture has been fabricated.

**Maximum Res.** - A maximum temperature of the LED PCBs since the counter was last reset.

In order to reset some counter to 0, touch desired text box under item "Max.Res."

**Driver Temperature** - The menu shows temperature on the LEDs control PCB in the fixture head.

**Current** - A current temperature on the LEDs control PCB.

**Maximum NonRes.** - A maximum temperature on the LEDs control PCB since the fixture has been fabricated.

**Maximum Res.** - A maximum temperature on the LEDs control PCB since the counter was last reset.

In order to reset this counter to 0, touch the text box next to the item "Maximum Res."

**Ambient Temperature** - The menu shows temperature in the fixture base .

**Current** - A current temperature in the fixture base.

**Maximum NonRes.** - A maximum temperature in the fixture base since the fixture has been fabricated.

**Maximum Res.** - A maximum temperature in the fixture base since the counter was last reset.

In order to reset this counter to 0, touch the text box next to the item "Maximum Res."

**Base Temperature** - The menu shows temperature on the display PCB in the fixture base.

**Current** - A current temperature on the display PCB.

**Maximum NonRes.** - A maximum temperature on the display PCB since the fixture has been fabricated.

**Maximum Res.** - A maximum temperature on the display PCB since the counter was last reset.

In order to reset this counter to 0, touch the text box next to the item "Maximum Res."

**DMX Values** - The menu items allows you to read DMX values of each channel received by the fixture.

**Wireless State** - The menu serves for reading of the wireless operation status.

**Unlink Wireless Adaptor** - The item serves for unlinking the fixture from a DMX transmitter.

If the wireless module is not installed in the fixture, message "Wireless Module Not Installed" will appear.

**Power Channel State** - Select this item to see current setting of the functions, which can be set by menu items in "Personality" as well as by DMX command at channel "Power/Special functions".

**Colour Functions State** - Select this item to see current setting of the colour functions, which can be set by menu items in "Personality" as well as by DMX command at channel "Colour functions".

**Software Version** - Select this item to read the software version of the fixture processors:

**Display System** - A display processor on the display board in the fixture base

**Module M** - a Pan/Tilt processor  
**Module L 1** - a LEDs control processor 1  
**Module L 2** - a LEDs control processor 2  
**Module O** - a Focus/Zoom/Light frost control processor  
**Module F-A** - a Framming shutters control processor  
**Module F-B** - a Framming shutters/Iris control processor  
**Module G 1** - a Rot. gobo wheel control processor  
**Module G 2** - a Rot. gobo wheel control processor  
**Module P** - a Prisms/Medium frost control processor  
**Module C1** - a Colour wheel 1 control processor  
**Module C2** - a Colour wheel 2 control processor

**Product IDs** - The menu is used to read the MAC Address ,RDM UID and RDM Label.

**LED Module Info** - Use this menu to read LEDs module information.

**First Module Assembly** - Use the item to read initial information about the LEDs module installed in the fixture. The fixture has to be connected to mains to read the values in the menu items.

**Serial Number/ Device UID** - a serial number of the LEDs module/RDM UID of the fixture.

**Installation Date/Time** - a date/time of the first installation of the LEDs module to a some iForte device.

**Intensity** - an original intensity of the LEDs module in percentages (100%).

**LEDs On Time Total/Adaptive** - Total: a total time of the LEDs module operation during which the dimmer intensity was > 0%.

Adaptive: a relative time of the LEDs module operation during which the dimmer intensity was > 0% (e.g. if dimmer = 50% for one hour, the adaptive time is 0.5 hour, if dimmer = 100% for one hour, the adaptive time is 1 hour).

**Actual Module Info** - Use the item to read current information about the LEDs module installed in the fixture.

**Serial Number/ Device UID** - a serial number of the LEDs module/RDM UID of the fixture.

**Measurement Date/Time** - a date/time of running the procedure "LEDs Measure" in the tab Service.

**Intensity** - the item shows a light intensity of the LEDs module measured after running the procedure "LEDs Measure" in the tab Service. The light intensity is displayed in percentages in relation to the initial intensity of the new LEDs module (initial intensity=100%).

**LEDs On Time Total/Adaptive** - Total: a total time of the LEDs module operation during which the dimmer intensity was > 0%.

Adaptive: a relative time of the LEDs module operation during which the dimmer intensity was > 0% (e.g. if dimmer = 50% for one hour, the adaptive time is 0.5 hour, if dimmer = 100% for one hour, the adaptive time is 1 hour).

**Assembly History** - Use the item to read a history of the LEDs module installed in the fixture (its serial number, RDM UID of fixture at which was installed and date/time of installation).

Up to 31 records can be saved in the menu item.

**Intensity History** - Use the item to read a history of light intensity of the LEDs module installed in the fixture.

**Serial Number/ Device UID** - a serial number of the LEDs module/RDM UID of the fixture.

**Measurement Date/Time** - a date/time of running the procedure "LEDs Measure" in the tab Service.

**Intensity** - the item shows a light intensity of the LEDs module measured after running the procedure "LEDs Measure" in the tab Service. The light intensity is displayed in percentages in relation to the initial intensity of the new LEDs module (initial intensity=100%) .

Up to 31 records can be saved in the menu item.

**LED Modules History** - Use the item to read a history of the LEDs modules installed in the fixture (their serial numbers and date/time of installation).

Up to 31 records can be saved in the menu item.

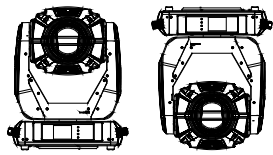
**View Logs** - Use this menu to read fixture's data which have been recorded during fixture operation. This collected data allows easier troubleshooting.



**Fixture Errors** - Use this menu to read fixture errors which have occurred during fixture operation.

**Fixture States** - In the menu are recorded fixture states as power on and power off.

**Fixture Positions** - In the menu are recorded installation positions of the fixture:



Front Normal

Front Inverted

**Fixture Temperatures** - In the menu are recorded temperatures which have exceeded defined levels.

Note: The log buffer can contain max. 8000 records. If the buffer is full, old data will be overwritten.

## 6.3 Tab "Personality"



**User mode** - The Robin iForte allows you to recall two user settings. After switching the fixture on for the first time, the User A settings is active. Now all changes made in the "Personality" menu, "Addressing" menu and the "Music Trigger" and "Preset Playback" items from the "Stand-alone" menu are saved to the User A settings. If you now select the User B settings, from this moment the changes made in these menus will be saved to the User B settings. After switching the fixture off and on, the User B setting is active. In this way you may use the two fixture operating behaviours.

**User A Settings** - the function recalls the user A settings.

**User B Settings** - the function recalls the user B settings.

**DMX Preset** - Use the menu to select desired channel mode.

**Mode 1** - 54 control channels

**View Selected Preset** - Use the menu to display channels included in the selected mode.

**DMX Input** - Use the menu to select mode of DMX signal receiving.

**Wired** - DMX signal is received by means of the standard DMX cable.

**Wireless** - DMX signal is received by means of the inbuilt wireless module.

**Wireless In/XLR Out** - the fixture receives wireless DMX and sends the signal to its wired DMX output.

The fixture behaves as "Wireless/Wired" adapter.

The options "Wired" and "Wireless" are also stated in DMX chart (channel Power/Special functions).

Note. If the wireless module is not installed in the fixture, the following message will appear:

DMX Input Set to Wired

Wireless Module Missing

If the fixture is not connected to mains, the message "Not Available In Offline Mode" will appear after entering the menu DMX Input. To enter this menu, the fixture has to be connected to mains.

**Pan/Tilt Settings** - Use the menu set behaviour of both pan and tilt movements.

**Pan Reverse** - The item allows to invert pan movement.

**Tilt Reverse** - The item allows to invert tilt movement.

**Pan/Tilt Feedback** - The item allows to return the mowing head to the required pan/tilt position after changing the position by an external force if this option is set on.

Note. Be careful, the Pan/Tilt Feedback should be permanent On, the option Off is not suitable for standard operation and the head of the fixture can be damaged!

**Pan/Tilt mode** - Use this menu to set the mode of the pan/tilt movement

**Time mode** - The pan and tilt will move with different speeds and they will come at the same time to the end point of their tracks (pan and tilt use their optimal speeds). Time of the pan/tilt movement (25.5 sec. max.) is set by the channel "Pan/Tilt speed, Pan/Tilt time".

**Speed Mode** - Both Pan and tilt will move with the same speed as adjusted at the channel "Pan/Tilt speed, Pan/Tilt time".

**Pan/Tilt EMS** - Built-in electronic motion stabilizer ensures precise position of the fixture's head during its movement and also reducing its swinging when the truss shakes.

**Follow Spot Mode** - If the function is activated, the pan/tilt motors perform on lower power and the head position can be controlled manually. You can choose from three levels of the pan/tilt "consistency": soft, medium and hard. Note: reset of pan/tilt will not be executed if the fixture is in the Follow Spot Mode.

**Pan/Tilt Limitations** - The function allows you to reduce range of pan and tilt movement by setting limits for both movements.

**Pan Min. Value** - Minimum pan movement value.

**Pan Max. Value** - Maximum pan movement value.

**Tilt Min. Value** - Minimum tilt movement value.

**Tilt Max. Value** - Maximum pan movement value.

If receiving DMX values are out of set limits, the fixture will not respond to them.

Example: Pan Min. Value=40 DMX, Pan Max. Value=120 DMX, the head will move in pan range of 40-120 DMX. Values under 40 and above 120 will not be used.

At reset of the head without connected DMX (if Pan/Tilt brake=Off), the pan movement of the head will stop in the value 120 DMX. After cancelling the pan movement limitation, the head will move to the value 128 DMX. (Standard pan and tilt positions after reset of the head without DMX are 128 DMX, unless otherwise set in the menu Init Positions).

**Microphone Sensitivity** - Enter the menu if you want to adjust the microphone sensitivity from 1 (max.) to 20 (min.).

**Blackout Settings** - Use the menu if you need to close the light output under certain conditions which are described below

**Blackout During MC** - Blackout during movement correction. Set this option On if you wish to close light output during the time when the head goes to its correct position from which has been changed by an external force.

**Active Blackouts** - Use this menu if you wish to close the light output during effect changes.

**Pan/Tilt Moving** - The menu item enables to close light output while the pan/tilt DMX values are changing.

**Colour Wheel Moving** - The menu item enables to close light output while colour wheel is moving.

**Gobo Wheel Moving** - The menu item enables to close light output while the gobo wheel is moving.

**Frequency Setup** - The function allows you to set the PWM (Pulse Width Modulation) output frequency of LEDs to 300Hz, 600Hz, 1200Hz or 2400Hz.

**Frequency Adjust** - The menu item allows you fine adjustment of the LED frequency around selected frequency.

**Init Effect Positions** - Use the menu to set all effects to the desired positions at which they will stay after switching the fixture on without DMX signal received.

**Screen Settings** - Use this menu to change the touch screen settings.

**Display Intensity** - The item allows to control the intensity of the screen (1-min., 10-max.).

**Screen saver Delay** - The item allows you to keep the screen on or to turn it off automatically after 1-10 minutes after last touch (or pressing any button on the control panel).

**Touchscreen Lock** - The item allows you to lock the screen after last touch (or pressing any button on the control panel). The time delay can be set in range of 1-10 minutes. To unlock the screen, press the [ENTER/Display On] button.


**Recalibrate Touchscreen** - The item starts calibration of the touch screen. Follow the instructions on the screen.

**Display Orientation** - The menu allows to change display orientation.

**Normal** - Standard display orientation if the fixture is placed horizontally (e.g. on the ground).

**Inverted** - Inverted orientation (needed if the fixture is hanging on the truss).

**Auto** - The option activates a gravitation sensor for automatic screen orientation.

Note: **Auto** option is set as default. You change the display orientation by touching the icon  on the display, and the option set in the "Display Orientation" menu is temporarily overridden.

**Temperature unit** - Use the menu item to change temperature unit from °C to °F.

**Fan Settings** - Use the menu to set fans operation mode.

**Fan Mode** - Use the menu to set the fixture fans to max. power mode (option "**High**") or to the auto-control mode (option "**Auto**"). The third option "**Quiet**" allows you to set desired fan noise. The light output of the fixture is reduced at low speeds of fans.

**Quiet - Blackout Fan Off** - The menu item allows you to stop all fans in the fixture (option "**On**") when its light output is closed (shutter in range of 0-31 DMX or dimmer in 0 DMX).

**Dimmer Curve** - Use the menu to select desired dimmer curve: **Linear**, **Square Law** or **Super Square Law**.

**Gobo Indexing** - The following three options define transition from gobo rotation to gobo indexing.

**Max. Speed & Shortcut** - Gobo goes from its rotation to desired indexed position with max. speed and via shortest track.

**Follow Speed & Direction** - Gobo goes from its rotation to desired indexed position with current speed and keeps a direction of rotation.

**Max. Speed & Follow Dir.** - Gobo goes from its rotation to desired indexed position with max. speed and keeps a direction of rotation.

**Gobo Wheels Mode** - The menu item allows you to select from two behaviours of rot. gobo wheels.

**Shake** - Gobos on the gobo wheel 1/2 do a shake effect in DMX range of 60-190.

**Continual** - Gobos on the gobo wheel 1 and 2 do a continual positioning in DMX range of 60-190.

Note: gobo carousel cannot be stopped in position between two gobos for thermal reason, gobo always moves to full position.

**Date & Time Settings** - Use this menu to set current date and time for the fixture log system (menu "View Logs"). Set this menu items before first fixture operation.

**Focus Tracking** - This feature provides automatic sharpness re-adjustment during zoom movement, after an initial sharpness has been set by the operator by setting the focus channel and enabling the FocusTracking. The Focus Tracking feature is done via automatic movement of focus element, taking into account several internal parameters, zoom position being one of them. To utilize the Focus Tracking, make sure to enable the Focus Tracking, set the Zoom to value 200 and adjust Focus to desired sharpness. Then, while keeping Focus value untouched, you can move the Zoom. Fixture will automatically keep the projection at the desired sharpness as much as possible. You can also re-adjust the Focus value over time if needed. When switching between Gobo wheel 1, Gobo wheel 2 and an empty aperture, the Tracking Focus will adjust the internal parameters, therefore providing desired sharpness by adjusting the Focus might be required. If you use both Gobo wheel 1 and Gobo wheel 2 without further adjusting the Focus value, Gobo wheel 2 will be automatically used for Focus Tracking 's focusing.

**Default Settings** - The menu item allows to set all fixture parameters in this menu to the default (factory) values except items "DMX Input".

**Password Protection** - allows to enter password in order to prevent unauthorized person from changing setting of the fixture.

**Reset Web Password** - The menu item allows you to reset a password for access on the Web server (default password: 2479, user: robe).

## 6.4 Tab "Manual Control"



**Reset Functions** - The menu allows to reset the fixture either per function modules or all modules together.

**Total System Reset** - The item resets all function modules.

**Pan/Tilt Reset** - The item resets a pan and a tilt.

**Colour System Reset** - The item resets colour wheel 1/colour wheel 2 and CMY+CTO system.

**Gobo/Eff. Wh. Reset** - The item resets rotating gobo wheels and an effect wheel.

**Optics/Prism/Frost Res.** - The item resets a zoom, focus, prism and a frost module.

**Iris/Framing Sh. Reset** - The item resets an iris module and framing shutters.

**Manual Effect control** - Use the menu to control all fixture channels by means of the control panel.

## 6.5 Tab "Stand-alone"



**Test Sequences** - Use the menu to run a test/demo sequences without an external controller, which will show you some possibilities of using Robin iForte.

**Dynamic Mode** - This mode uses all Robin iForte functions including pan/tilt movement and therefore is good for a complete introduction of the fixture.

**Static Mode** - This mode is suitable for projections on the wall, ceiling or ground without any pan/tilt movement. Adjust the pan, tilt, zoom and focus to desired positions an start test sequences by touching the green ► icon.

**Music Trigger** - Use the item to activate the sound control of the running program via the built-in microphone.

**Preset Playback** - This menu allows you to select the program which will be played in a loop after switching the fixture on (the option is commonly used in a stand-alone operation without an external controller).

**None** - The option disables "Presetting playback" function.

**Test** - The option starts the test sequences.

**Prog. 1** - The option starts user program No. 1.

**Prog. 2** - The option starts user program No. 2.

**Play program** - Use the menu to run desired program in a loop.

**Play Program 1** - The option starts user program No.1.

**Play Program 2** - The option starts user program No. 2.

**Edit Program** - Use the menu to create or to edit desired program. The Robin iForte offers 2 free programs, each up to 80 steps.

**Edit Program 1** - The option allows you to edit user program No.1.

**Edit Program 2** - The option allows you to edit user program No.2.

To edit program:

1. Touch the item which you want to edit ("Edit Program 1" - "Edit Program 2").

2. Touch the item "Edit Program Steps".

3. Touch the item "Step 1".

4. From the list of effects touch desired effect and set its value. Browse throw the list by touching the [up arrow] and [down arrow] and set all desired effects.

An item "Step Time" (value of 0-25.5 sec.) is the time during which effects last in the current step

5. Save adjusted effects to the current step by touching the [confirm] or save and copy them to the following step by touching the [confirm+copy]. By touching the text box "Preview" next to the current program step you can view created scene.

6. Repeat the steps 4 and 5 for next program steps.

7. After editing desired program steps, adjust the length of the program by touching the text boxes "Start Step" and "End Step".

Meaning of the icons used in the "Edit Program" menu:

⬇️ - moves down on the next page

✅ - saves adjusted values and leaves menu

⬆️ - moves up on the previous page

✅📄 - saves values to the current step and copy them to the following prog. step

❌ - leaves menu without saving values

## 6.6 Tab "Service"



**Adjust DMX Values** - The menu allows you to set all effects to desired positions before fine calibration of the effects .

**Calibrations** - This menu enables fine calibration of fixture effects and download default calibration values.

**Calibrate Effects** - The menu allows the fine adjustment of effects.

**Pan**- a pan position fine adjustment (value range: 0-255)

**Tilt** - a tilt position fine adjustment (value range: 0-255)

**Effect Wheel** - an effect wheel position fine adjustment (value range: 0-255)

**Rot. Gobo Wheel 1** - a carousel 1 of rotating gobos fine movement (value range: 0-255)  
**R. Gobo Index 1/1** - a fine movement of the rotating gobo 1 (value range: 0-255)  
**R. Gobo Index 1/2** - a fine movement of the rotating gobo 2 (value range: 0-255)  
**R. Gobo Index 1/3** - a fine movement of the rotating gobo 3 (value range: 0-255)  
**R. Gobo Index 1/4** - a fine movement of the rotating gobo 4 (value range: 0-255)  
**R. Gobo Index 1/5** - a fine movement of the rotating gobo 5 (value range: 0-255)  
**R. Gobo Index 1/6** - a fine movement of the rotating gobo 6 (value range: 0-255)  
**Rot. Gobo Wheel 2** - a carousel 2 of rotating gobos fine movement (value range: 0-255)  
**R. Gobo Index 2/1** - a fine movement of the rotating gobo 1 (value range: 0-255)  
**R. Gobo Index 2/2** - a fine movement of the rotating gobo 2 (value range: 0-255)  
**R. Gobo Index 2/3** - a fine movement of the rotating gobo 3 (value range: 0-255)  
**R. Gobo Index 2/4** - a fine movement of the rotating gobo 4 (value range: 0-255)  
**R. Gobo Index 2/5** - a fine movement of the rotating gobo 5 (value range: 0-255)  
**R. Gobo Index 2/6** - a fine movement of the rotating gobo 6 (value range: 0-255)  
**Colour Wheel 1** - a colour wheel 1 fine movement (value range: 0-255)  
**Colour Wheel 2** - a colour wheel 2 fine movement (value range: 0-255)  
**Prism 1** - a prism fine movement (value range: 0-255)  
**Prism 2** - a prism fine rotation (value range: 0-255)  
**Zoom** - a zoom module fine movement (value range: 0-255)  
**Focus** - a focus module fine movement (value range: 0-255)  
**Iris** - an iris fine movement (value range: 0-255)  
**Frost 1/1** - a light frost fine position movement 1  
**Frost 1/2** - a light frost fine position movement 2  
**Frost 2/1** - a medium frost fine position movement 1  
**Frost 2/2** - a medium frost fine position movement 2  
**Fr. Shutters.rot** - a framing shutters module fine rotation (value range: 0-255)  
**Fr. Shutter 1 Move** - a Fram. lamella 1 fine moving  
**Fr. Shutter 1 Swiv.** - a Fram. lamella 1 fine swivelling  
**Fr. Shutter 2 Move** - a Fram. lamella 2 fine moving  
**Fr. Shutter 2 Swiv.** - a Fram. lamella 2 fine swivelling  
**Fr. Shutter 3 Move** - a Fram. lamella 3 fine moving  
**Fr. Shutter 3 Swiv.** - a Fram. lamella 3 fine swivelling  
**Fr. Shutter 4 Move** - a Fram. lamella 4 fine moving  
**Fr. Shutter 4 Swiv.** - a Fram. lamella 4 fine swivelling

*Calibration of the effects via the control board*

1. Disconnect DMX controller from the fixture and enter the "Calibrate Effects" menu.
2. Use the [up arrow] and [down arrow] to find "Pan" and touch it to enter the fine effect adjustment screen.
3. Set desired value and save it by touching the [confirm].
4. Repeat steps 2 and 3 for next item
5. After calibrating all effects, touch the [confirm] to save all adjusted values and reset the fixture.

*Calibration of the effects via the DMX controller*

1. Connect DMX controller to the fixture and enter the "Calibrate Effects" menu.

Calibration protocol:

<b>Effect</b>	<b>Mode 1</b>
Pan	channel 55
Tilt	channel 56
Ef. wheel	channel 57
Rot. Gobo Wheel 1	channel 58
R. Gobo Index 1/1	channel 59
R. Gobo Index 1/2	channel 60
R. Gobo Index 1/3	channel 61
R. Gobo Index 1/4	channel 62
R. Gobo Index 1/5	channel 63
R. Gobo Index 1/6	channel 64
Rot. Gobo Wheel 2	channel 65
R. Gobo Index 2/1	channel 66
R. Gobo Index 2/2	channel 67
R. Gobo Index 2/3	channel 68
R. Gobo Index 2/4	channel 69
R. Gobo Index 2/5	channel 70



R. Gobo Index 2/6	channel 71
Colour wheel 1	channel 72
Colour wheel 2	channel 73
Prism 1	channel 74
Prism 2	channel 75
Zoom	channel 76
Focus	channel 77
Iris	channel 78
Frost 1/1	channel 79
Frost 1/2	channel 80
Frost 2/1	channel 81
Frost 2/2	channel 82
Fr. Shutters rot.	channel 83
Fr. Shutter 1 Move	channel 84
Fr. Shutter 1 swiveling.	channel 85
Fr. Shutter 2 Move	channel 86
Fr. Shutter 2 swiveling	channel 87
Fr. Shutter 3 Move	channel 88
Fr. Shutter 3 swiveling	channel 89
Fr. Shutter 4 Move	channel 90
Fr. Shutter 4 swiveling	channel 91

### **Calibrate Fr. Hysteresis**

**Framing Lamella 1** - a framing lamella 1 reverse movement (value range: 0-8)

**Framing Lamella 2** - a framing lamella 1 reverse movement (value range: 0-8)

**Framing Lamella 3** - a framing lamella 1 reverse movement (value range: 0-8)

**Framing Lamella 4** - a framing lamella 1 reverse movement (value range: 0-8)

The value set for every framing lamella gives a value at which the lamella reacts to its reverse movement promptly (without movement hysteresis).

**Calibrate Pan/Tilt EMS** - The menu item allows calibration of the pan/tilt electronic motion stabilizer.

Important: during this calibration any external force must not influence the fixture and the surface at which the fixture stands (or truss if the fixture hangs) has to be without movement, shake, strokes etc.

**Calibrate Pan/Tilt Reset** - The menu item is used for calibration of pan/tilt reset in factory and also has to be used in case of changing of pan or tilt motor.

**Load Default Calibrations** - The item loads default (factory) calibration values.

**Rotating Gobos Change** - This menu makes changing of rotating gobos in the fixture easier.

**Gobo Carousel 1** - The menu allows movement of rotating gobos on the gobo carousel 1 to positions suitable for their changing.

**G1-Mg** - a movement of the gobo 1 (gobo holder with magnet) to the changing position.

**G2** - a movement of the gobo 2 to the changing position.

:

**Gobo Offset** - a gobo offset setting. The function allows fine swiveling of the gobo holder. The set value is valid for all gobos on the gobo carousel 1.

**Gobo Carousel 2** - The menu allows movement of rotating gobos on the gobo carousel 2 to positions suitable for their changing.

**G1-Mg** - a movement of the gobo 1 (gobo holder with magnet) to the changing position.

**G2** - a movement of the gobo 2 to the changing position.

:

**Gobo Offset** - a gobo offset setting. The function allows fine swiveling of the gobo holder. The set value is valid for all gobos on the gobo carousel 2.

**LEDs Measure** - This menu item runs a procedure which measures a light intensity of the LEDs module installed in the fixture. This procedure takes about 1 minute (message "LEDs Module Measurement" is displayed on the screen"). During the procedure the fixture does not receive DMX signal, pan/tilt go to 128 DMX, a shutter is open and a dimmer is set at max. light intensity (255 DMX). All effects are taken out from the light beam.

The measured light intensity is recorded in the item Intensity in the menu LED Module Info:

Tab Information --> Actual Module Info --> Intensity

Tab Information --> Intensity History --> Intensity

The light intensity in the menu item Intensity is displayed in percentages in relation to the initial intensity of the

new LEDs module (initial intensity=100%).

The LEDs Measure procedure should be run after every change of the LED light source.

Note: The fixture has to be connected to mains in order to run LEDs Measure procedure.

**Pressure Test** - The menu item runs a procedure which checks a leak tightness of the fixture housing. The fixture has to be connected to mains and the head temperature cannot be higher than 55°C. The pressure test lasts about 5 minutes.

Example of screens of the pressure test:

First screen

```
Pressure Test

Measuring Pressure
Remaining Time: 04.02
47/ 986.66/ 5.13
```

Legend

04.02 .....Time (minutes)  
47.....Head Temperature (°C)  
986.66.....Pressure (hPa)  
5.13-----Pressure increment

Test OK

```
Pressure Test

Pressure Test
Passed
46/ 986.66/ 2.84
```

Test failed

```
Pressure Test

Pressure Test
Failed
46/ 986.66/ 2.84
```

Errors

```
Pressure Test

Valve Seal
Error
47/ 986.66/ 5.13
```

The message "Valve Seal Error" means that valve or coil is defective.

**Update software** - The menu item allows you to update software in the fixture.

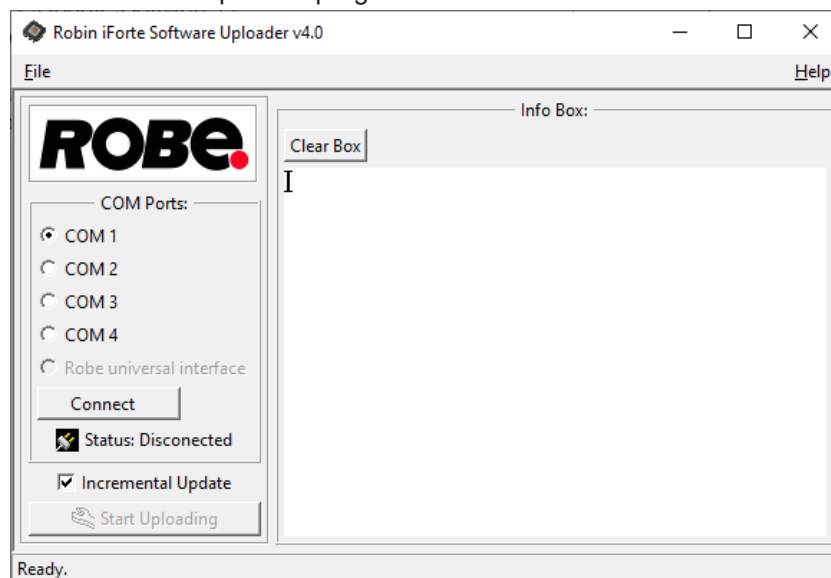
The following items are required in order to update software:

- PC running Windows or Linux or macOS
- DSU file
- Flash cable RS232/DMX, P/N13050624 (if you want to use a serial port of PC)
- Robe Universal Interface or Robe Universal interface WTX (if you want to use an USB port of PC)

After the software updating the fixture will be set to default values.

To update software in the fixture:

1. DSU file is available from Robe web site at [WWW.robe.cz](http://WWW.robe.cz).  
File with extension zip is intended for Windows (used and tested from XP to W10 on 32/64bit systems).  
File with extension tbz is intended for Linux (used and tested on Debian and Ubuntu 32/64bit).  
File with extension dmg is intended for macOS (used and tested on OSX up to Sierra) XQuartz required, install it from <https://www.xquartz.org/>  
Save the download file to a folder on your computer.  
In case that you use windows, extract files in the zip file (e.g. DSU\_RobiniForte\_18100828.zip)
2. Disconnect the fixture from DMX controller.
3. If you use the flash cable RS232/DMX, connect a serial port of your computer with DMX input of the fixture by means of the cable.  
If you use the Robe Universal Interface, connect a USB port of your computer with the Robe Universal Interface by means of the USB cable and DMX input of the fixture with the DMX output of the Robe Universal Interface via a DMX cable.
4. Switch the fixture to the update mode (tab "Service" --> Update Software).  
Note: If you do not want to continue in the software update, you have to switch off and on the fixture to escape from the updating mode.  
We recommend to cancel all running programs on your computer before starting the software update.
5. Double-click the software uploader file (e.g. DSU\_RobiniForte\_18100828.exe) in the extracted files. The Software Uploader program will start to run.



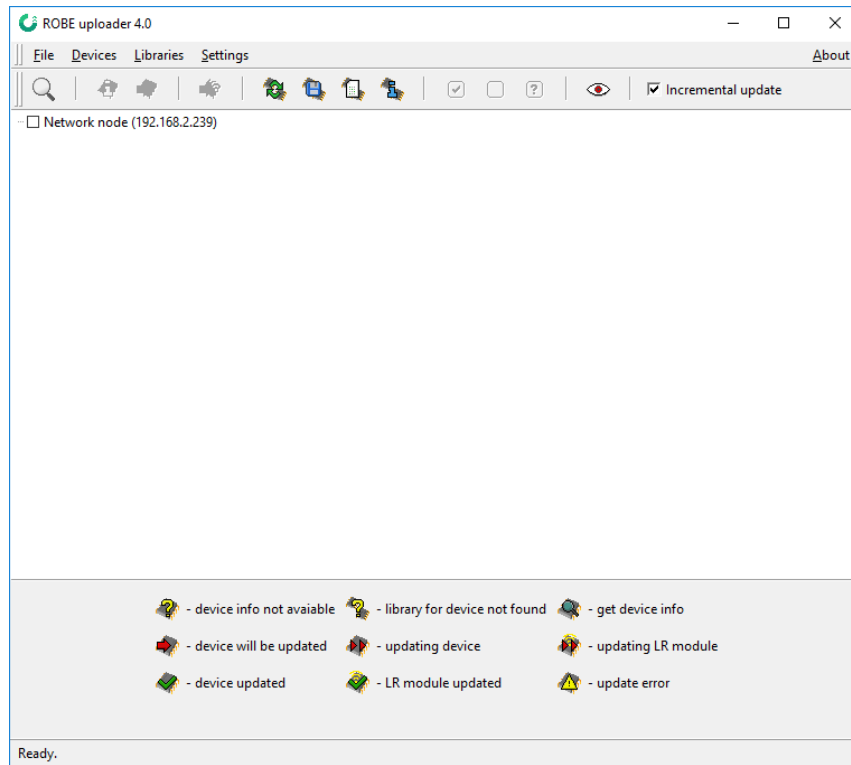
6. Select correct "COM " number if you use a Flash cable RS232/DMX or select "Robe Universal Interface " if you use the Robe Universal Interface/Robe Universal Interface WTX and then click on the "Connect" button.
7. If the connection is OK, click the "Start Uploading" button to start software uploading. It will take several minutes to perform software update.  
If the option "Incremental Update" is not checked, all processors will be updated (including processors with the same software version).  
If you wish to update only processors with new version of software, check the "Incremental Update box".  
Avoid interrupting the process. Update status is being displayed in the "Info Box" window.  
When the update is finished, the line with the text "Fixture is successfully updated" will appear in this window.

In case upload process is interrupted (e.g. power loss), the fixture stays in "Updating mode" and you will have to repeat the software update again.

Another way, how to update software in the fixtures (especially large installation of fixtures) is to use the ROBE Uploader. It is a software for automatized software update of Robe fixtures. It takes advantage of RDM support).



For more information please see <https://www.robe.cz/robe-uploader/>.



## 7. RDM

This fixture supports RDM operation. RDM (Remote Device Management) is a bi-directional communications protocol for use in DMX512 control systems, it is the new open standard for DMX512 device configuration and status monitoring.

The RDM protocol allows data packets to be inserted into a DMX512 data stream without adversely affecting existing non-RDM equipment. By using a special „Start Code,“ and by complying with the timing specifications for DMX512, the RDM protocol allows a console or dedicated RDM controller to send commands to and receive messages from specific moving lights.

RDM allows explicit commands to be sent to a device and responses to be received from it.

The list of commands for Robin iForte is the following:

Parameter ID	Discovery command	SET command	GET command
DISC_UNIQUE_BRANCH	*		
DISC_MUTE	*		
DISC_UN_MUTE	*		
DEVICE_INFO			*
SUPPORTED_PARAMETERS			*
SOFTWARE_VERSION_LABEL			*
DMX_START_ADDRESS		*	*
IDENTIFY_DEVICE		*	*
DEVICE_MODEL_DESCRIPTION			*
MANUFACTURER_LABEL			*
DEVICE_LABEL		*	*
SENSOR_DEFINITION			*
SENSOR_VALUE			*
DISPLAY_INVERT		*	*
DISPLAY_LEVEL		*	*
PAN_INVERT		*	*
TILT_INVERT		*	*
DEVICE_RESET		*	
DMX_PERSONALITY		*	*
DMX_PERSONALITY_DESCRIPTION			*
STATUS_MESSAGES			*
STATUS_ID_DESCRIPTION			*

RDM model ID for the Robin iForte is 0x012c.

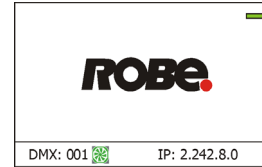
## 8. Error and information messages

### Information icon



#### - Air Filters Cleaning

This icon signals that cleaning period of the air filters has elapsed and you have to clear air filters and reset the menu item "Elapsed Time".



### Errors

Error in the fixture is signalled by the yellow warning icon at the bottom line of the screen:



Touch the warning icon or press the [ESCAPE] button to display error messages.  
List of error and information messages:

#### **Tilt Error 1 (Tilt Error 2)**

This message will appear after the reset of the fixture if the head's magnetic-indexing circuit malfunctions (sensor failed or magnet is missing) or the stepping motor is defective or its driving IC on the PCB. The head is not located in the default position after the reset.

#### **Pan Error 1 (Pan Error 2)**

This message will appear after the reset of the fixture if the yoke's magnetic-indexing circuit malfunctions (sensor failed or magnet is missing) or the stepping motor is defective or its driving IC on the PCB. The yoke is not located in the default position after the reset of the fixture.

#### **Colour Wheel 1 Error 1 (Colour Wheel 1 Error 2)**

The messages will appear after the reset of the colour wheel 1 if this wheel is not located in the default position.

#### **Colour Wheel 2 Error 1 (Colour Wheel 2 Error 2)**

The messages will appear after the reset of the colour wheel 2 if this wheel is not located in the default position

#### **Prism 1 Error 1 (Prism 1 Error 2)**

The messages will appear after the reset of the prism wheel 1 if this wheel is not located in the default position.

#### **Prism 2 Error 1 (Prism 2 Error 2)**

The messages will appear after the reset of the prism wheel 2 if this wheel is not located in the default position.

#### **Iris Error 1 (Iris Error 2)**

The messages will appear after the reset of the iris if the iris is not located in the default position.

#### **Frost 1 Error 1 (Frost 1 Error 2)**

The messages will appear after the reset of the frost module 1 if this module is not located in the default position.

#### **Frost 2 Error 1 (Frost 2 Error 2)**

The messages will appear after the reset of the frost module 2 if this module is not located in the default position.

#### **Zoom Error 1 (Zoom Error 2)**

The messages will appear after the reset of the zoom module if the zoom lens is not located in the default position.

#### **Focus Error 1 (Focus Error 2)**

The messages will appear after the reset of the focus module if the focus lens is not located in the default.

#### **Gobo Carousel 1 Error 1 (Gobo Carousel 1 Error 2)**

The messages will appear after the reset of the rotating gobo wheel 1 if this wheel is not located in the default position.

**Gobo Rotation 1 Error 1 (Gobo Rotation 1 Error 2 )**

The messages will appear after the reset of the rotating gobo wheel 1 if the rotating gobos are not located in the default positions.

**Gobo Carousel 2 Error 1 (Gobo Carousel 2 Error 2 )**

The messages will appear after the reset of the rotating gobo wheel 2 if this wheel is not located in the default position.

**Gobo Rotation 2 Error 1 (Gobo Rotation 2 Error 2 )**

The messages will appear after the reset of the rotating gobo wheel 2 if the rotating gobos are not located in the default positions.

**Effect Wheel Error 1**

The messages will appear after the reset of the effect wheel if this wheel is not located in the default position. Possible reason: missing magnetic sensor or magnet.

**Effect Wheel Error 2**

The messages will appear after the reset of the effect wheel if this wheel is not located in the default position. Possible reason: effect wheel cannot leave a magnetic sensor.

**Effect Wheel Error 3**

The messages will appear after the reset of the effect wheel if this wheel is not located in the default position. Possible reason: error of an alternative reset.

**Effect Wheel Error 4**

The messages will appear after the reset of the effect wheel if this wheel is not located in the default position. Possible reason: unsuccessful check of the motor track.

**Fr. Shutters Rot. Error 1 (Fr. Shutters Rot. Error 2 )**

The messages will appear after the reset of the framing shutters module if this module is not located in the default position.

**Fr. Shutter 1 Error 1 (Fr. Shutter 1 Error 2 )**

The messages will appear after the reset of the framing shutters module if the frame 1 is not located in the default position.

**Fr. Shutter 2 Error 1 (Fr. Shutter 2 Error 2 )**

The messages will appear after the reset of the framing shutters module if the frame 2 is not located in the default position.

**Fr. Shutter 3 Error 1 (Fr. Shutter 3 Error 2 )**

The messages will appear after the reset of the framing shutters module if the frame 3 is not located in the default position.

**Fr. Shutter 4 Error 1 (Fr. Shutter 4 Error 2 )**

The messages will appear after the reset of the framing shutters module if the frame 4 is not located in the default position.

**EEPROM Error**

Hardware error of the EEPROM.

**Recharge The battery**

The battery on the display board needs to be charged. Let the fixture on for cca 6 hrs.

**Battery Faulty. Replace it.**

The battery on the display board is exhausted and should be replaced immediately.

**Pan/Tilt EMS Cal. Error**

The EMS system is not calibrated.

**Pan/Tilt EMS Error**

Control electronics cannot communicate with the EMS system.

**Internal Error 1**

Communication error between PCBs (error or noise was detected on communication wires)

## **Internal Error 2**

Communication error (some PCB has failed or is disconnected (this PCB will show as N/A in menu --> Information --> Software versions) or error/noise was detected on communication wires)

## **Clean Air Filters**

The message informs you that the item "Elapsed Time" in the "Fixture Information" menu is at 0 value. Clean air filters and reset this counter.

## **Overheated**

The LED engine is overheated and light output is closed.

## **White 1 Short Error (White 2 Short Error/ White 3 Short Error/ White 4 Short Error)**

Some white LEDs in the light source have short circuit or are disconnected.

## **White 5 Short Error (White 6 Short Error/ White 7 Short Error/ White 8 Short Error)**

Some white LEDs in the light source have short circuit or are disconnected.

## **Base Fan 1 Bad/ Base Fan 2 Bad**

One or both fans in the fixture base are disconnected from their control PCB or are faulty and has to be replaced. .

## **Suction LED Fan 1 Bad/ Suction LED Fan 2 Bad/ Suction LED Fan 3 Bad**

The suction fan 1 (fan 2/ fan 3) at the LED engine is disconnected from its control PCB or is faulty and has to be replaced.

## **Exhaust LED Fan 1 Bad/ Exhaust LED Fan 2 Bad/ Exhaust LED Fan 3 Bad**

The exhaust fan 1 (fan 2, fan 3) at the LED engine is is disconnected from its control PCB or is faulty and should be replaced.

## **Iris Fan 1 Bad/ Iris Fan 2 Bad**

The iris fan 1 (fan 2) which cools the iris and framing shutters in the fixture head is disconnected from its control PCB or is faulty and should be replaced. A light output from the fixture is closed.

## **Arm Fan Bad**

The fan which cools the PCB in the fixture head is disconnected from its control PCB or is faulty and should be replaced. A light output from the fixture is closed.

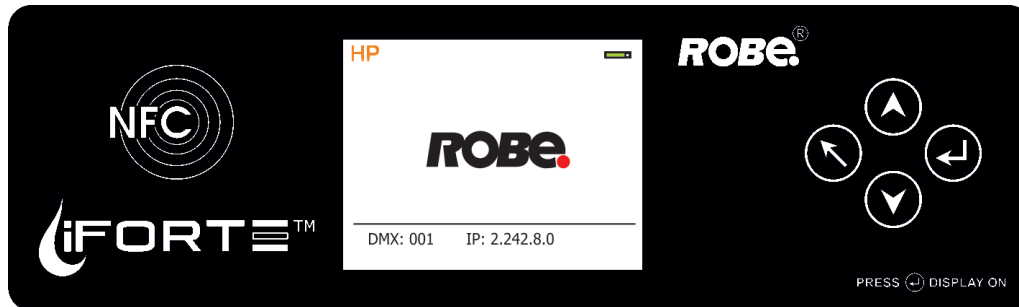
## **Gobo Fan Bad**

The fan which cools the gobo wheels in the fixture head is disconnected from its control PCB or is faulty and should be replaced. A light output from the fixture is closed.

## 9. NFC

The fixture supports NFC (Near-Field Communication). Using the mobile phone application ROBE COM you can read and set the Robin iForte parameters (DMX address, IP address...etc.), get information about temperatures, operation hours, RDM identification etc.

The NFC point is situated on the front panel of fixture's base.



Download and install the ROBE COM from Google Play (for Android 5.0 and higher) or App Store (for iOS 12.0 and higher) to your mobile phone. Your mobile phone has to support NFC.

Hold the mobile phone on the side of the fixture base, if NFC connection is OK, discovered fixture will appear on the screen, after touching the fixture name the following the following menu items will appear:

- DMX/RDM settings
- Ethernet settings
- Blackout settings
- Colour settings
- Display settings
- Standalone settings
- Pan/Tilt settings
- Other settings
- Software versions
- Device hours
- Device temperatures

Touch desired menu item to enter its submenu.

## 10. Technical Specifications

### Electrical

Power supply: electronic auto-ranging  
Input voltage range: 100-240V, 50-60Hz  
Fuse: T 15 A  
Max. power consumption: 1250W (Power factor 0.98)

### Optic

Light source: TE™ 1.000W HP White LED Engine (Transferable)  
Colour temperature: 6700K  
CRI: 70/80/90, remotely selectable  
Max. lumen output: 40.000 (goniophotometer)  
Illuminance: 113.000 lx @ 5 m, min. zoom

Light source type: TE™ 1.000W HCF White LED Engine (Transferable):  
Fixture total lumen output: 28.000 lm (goniophotometer)  
Colour temperature output: 6.000 K  
CRI: 94  
Illuminance: 78.000 lx @ 5 m  
LED life expectancy: min. 50.000 hours  
Typical lumen maintenance: L70/B50 @ 50.000 hours  
Light source warranty: 4 years or 20 000 hours

### Colour wheel 1

five dichroic filters (deep red, deep blue, orange, green, congo blue) + open

### Colour wheel 2

five dichroic filters (multicolour filter, laser green, lavender, CRI filters 80 and 90) + open

### CMY + CTO mixing module

Smooth CMY colour mixing system  
Variable CTO: 3000K - 6.700K

### Virtual colour wheel

66 preset colours

### Effect wheel

Aluminium effect wheel rotating in both directions with variable speed

### Rotating gobo wheel 1

6 glass gobos can be indexed and rotated in both directions at different speeds,  
gobo wheel continuous rotation  
Gobos: outside diameter= 30.9<sup>+0.1</sup> mm, image diameter=25 mm, thickness=1-3.5 mm, high  
temperature borofloat or better glass.

Gobos order:

15020396-1

15020397-1

15020398-1

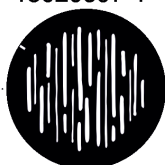
15020399-1

15020400-1

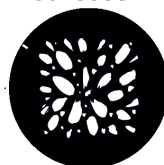
15040025



1



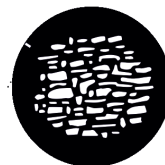
2



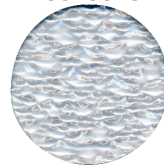
3



4



5



6

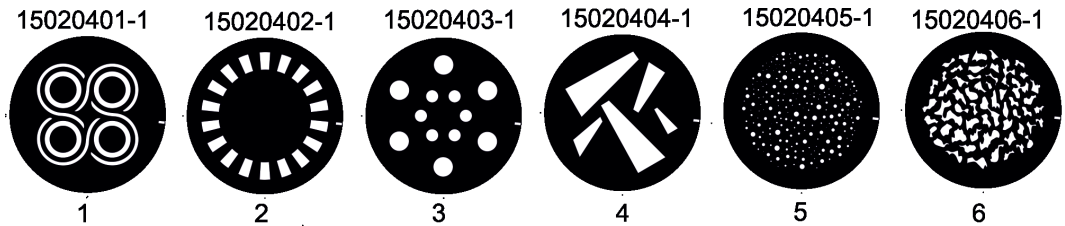
Note. Metal (or aluminium) gobos cannot be used due to thermal stress.

## Rotating gobo wheel 2

6 glass gobos can be indexed and rotated in both directions at different speeds,  
gobo wheel continuous rotation

Gobos: outside diameter=  $30.9^{+0.1}$  mm, image diameter=25 mm, thickness=1-3.5 mm, high temperature borofloat or better glass.

Gobos order:



Note. Metal (or aluminium) gobos cannot be used due to thermal stress.

## Prism 1

Rotating 6-facet linear prism with continuous rotation in both directions and indexing

## Prism 2

Rotating 6-facet radial prism with continuous rotation in both directions.

## Iris

Motorized iris for different beam diameters

## Frost filters

2 separate, variable frost filters ( light (1°) and medium (5°))  
Both filters are replaceable

## Framing shutters module

4 individually positionable shutters rotation of the complete frame system +/- 60°  
Each framing shutter can be swiveled

## Zoom

Linear motorized zoom  
Min. beam angle :5°  
Max. beam angle: 55°

## Strobe

Strobe effect with variable speed (0.3 - 20Hz)

## Dimmer

Smooth dimmer from 0 - 100 % (8 or 16 bit (internal 18 bit))

## Control

Graphic touch screen for fixture setting and addressing  
Gravitation sensor for auto screen positioning  
Battery backup of the touch screen  
Readout fixture and LEDs usage, receiving DMX values, temperatures, etc  
Built-in analyzer for easy fault finding, error messages  
Built-in demo sequences  
Stand-alone operation  
2 user editable programs, each up to 80 steps  
Supported protocols: USITT DMX 512-A, RDM, ArtNet, MANet, MANet2, sACN  
Support of RDM (Remote Device Management) and NFC  
1 DMX mode (54 control channels)



**Wireless DMX/RDM module**

Compliance with USITT DMX-512 (1986 & 1990) and 512-A  
Full DMX fidelity and frame integrity  
Auto sensing of DMX frame rate and frame size  
<5ms DMX latency  
Operational frequency range of 2402-2480 MHz  
Producer: LumenRadio

**Max. number of fixtures in Ethernet IN/Out line**

8

**Pan/Tilt**

Pan movement range 540°  
Tilt movement range 270°  
16 bit movement resolution  
Pan/Tilt electronic motion stabilizer  
Automatic Pan/Tilt position correction  
MAPS -motionless absolute positioning system for pan and tilt  
Remotely controllable speed of pan/tilt movement for easy programming  
Pan/tilt-lock mechanism

**Connection**

DMX data in/out: 2 x IP65 Locking 5-pin XLR connectors  
Ethernet: 2 x IP65 RJ45 connector  
Power: IP65 Neutrik powerCON TRUE1

**Rigging**

Mounting points: 5 pairs of 1/4-turn locking points  
Mounting horizontally or vertically via 2 Omega brackets

**Temperatures**

Maximum/Minimum ambient operating temperature : +45°C/-10°C  
Maximum housing temperature : 80° C

**Minimum distances**

Min. distance from flammable surfaces: 1 m  
Min. distance to lighted object: 4 m

**Total heat dissipation**

3200 BTU/hr (calculated)

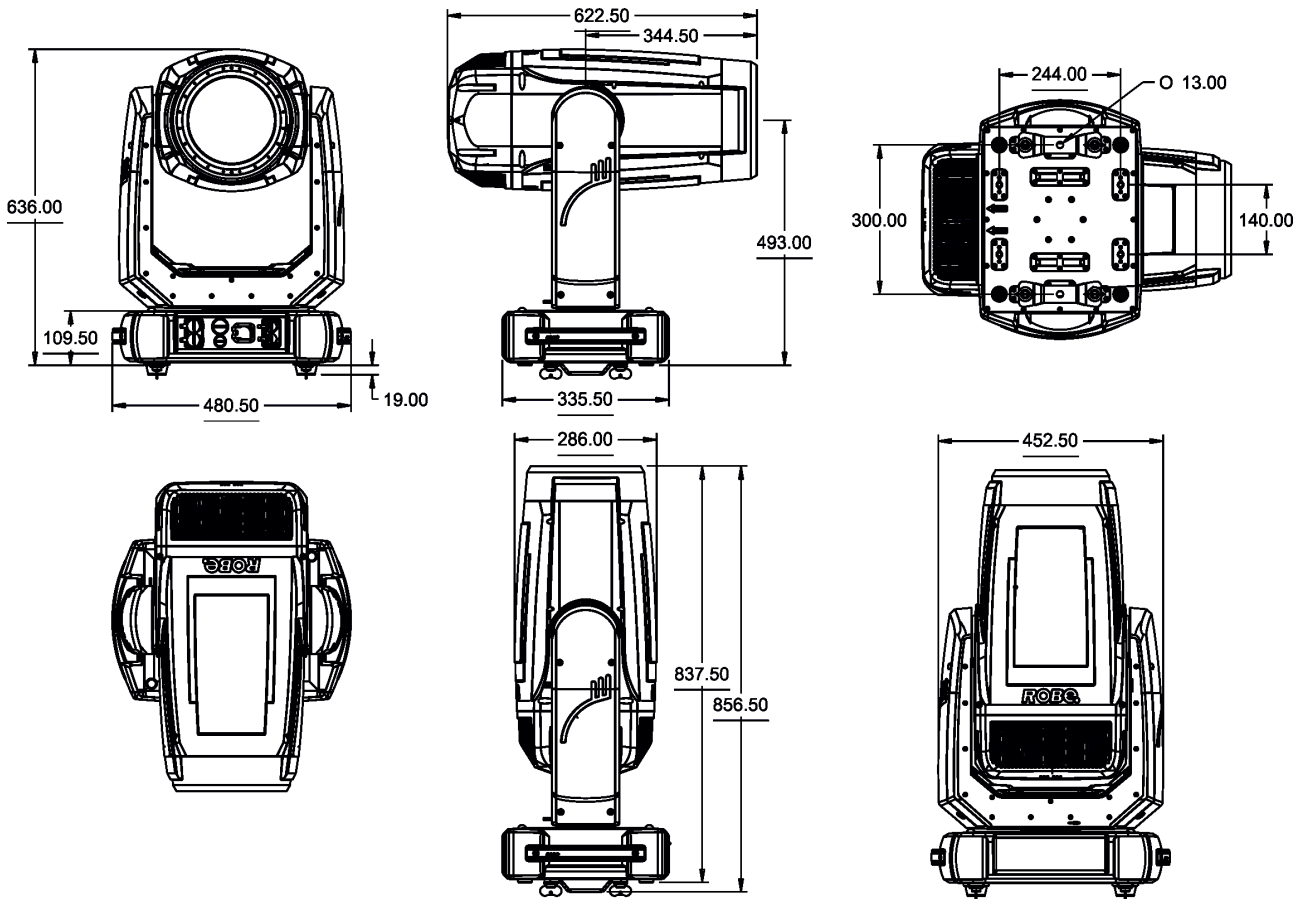
**Ingress protection rating**

IP65

**Weight**

40.5 kg (89.3 lbs )

## Dimensions (mm)



## Accessories

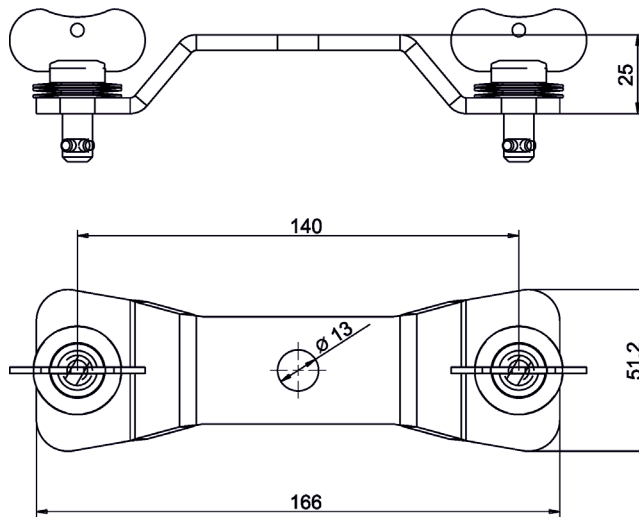
- 1 x Omega adaptor CL-regular 2 pcs in box (P/N 10980033)
- 1 x Power cable including powerCON TRUE1 In connector
- 1 x User manual

## Optional accessories

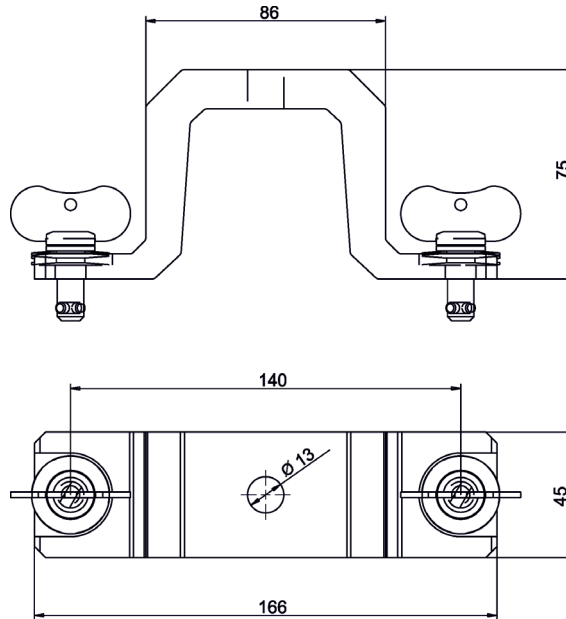
- Frost 0,5° (exchange) for Robin T2 Profile/iForte (P/N 10980581)
- Frost 1° (exchange) for Robin T2 Profile/iForte (P/N 10980564)
- Frost 5° (exchange) for Robin T2 Profile/iForte (P/N 10980565)
- Frost 10° (exchange) for Robin T2 Profile/iForte (P/N 10980556)
- Frost 20° (exchange) for Robin T2 Profile/iForte (P/N 10980577)
- Frost 30° (exchange) for Robin T2 Profile/iForte (P/N 10980582)
- Doughty Trigger Clamp (P/N 17030386)
- Safety wire 50 kg (P/N 99011957)
- Omega Adaptor Tall CL-regular 2 pcs in box (P/N 10980501)
- Hot Spot lens in gobo holder (P/N 10980557)
- TE™ HP LED Engine for iForte (P/N 14080081)
- TE™ HCF LED Engine for iForte (P/N 14080082)

Difference between Omega adaptor CL-regular and Omega adaptor Tall CL-regular:  
 (All dimensions are in mm)

Omega adaptor CL-regular (P/N 10980033)



Omega adaptor Tall CL-regular (P/N 10980501)



## 11. ChangeLog

This section summarizes changes in the user manual.

Version of the manual	Date of issue	Description of changes

## 12. Cleaning

Regular cleaning will not only ensure the maximum light output, but will also allow the fixture to function reliably throughout its life.

The frequency of cleaning depends on the environment in which the fixture operates: damp, smoky or particularly dirty environments can cause greater accumulation of dirt on the fixture housing.

The front glass cover of the head will require cleaning on a monthly basis.

A soft lint-free cloth moistened with any good glass cleaning fluid is recommended, under no circumstances should alcohol or solvents be used!

### **DANGER !**

**Always disconnect the fixture from mains before starting any cleaning or maintenance work.**

## 13. Maintenance

User can do the following operations:

- main fuse replacement
- battery replacement
- gobo replacement
- frost replacement

Another maintenance and service operations should be carried out by trained technicians only. If you need any spare parts, please order genuine parts from your local Robe distributor.

### **Replacing the fuse.**

Before replacing the fuse, disconnect the fixture from the mains.

1. Using a screwdriver, unscrew (anti-clockwise) the fuse holder cap from the housing of the base.
2. Remove the blown fuse from the fuse holder.
3. Place a good fuse (only the same type and rating) into the fuse holder.
4. Screw the fuse holder cap back to the housing and reconnect power.

### **Replacing the battery.**

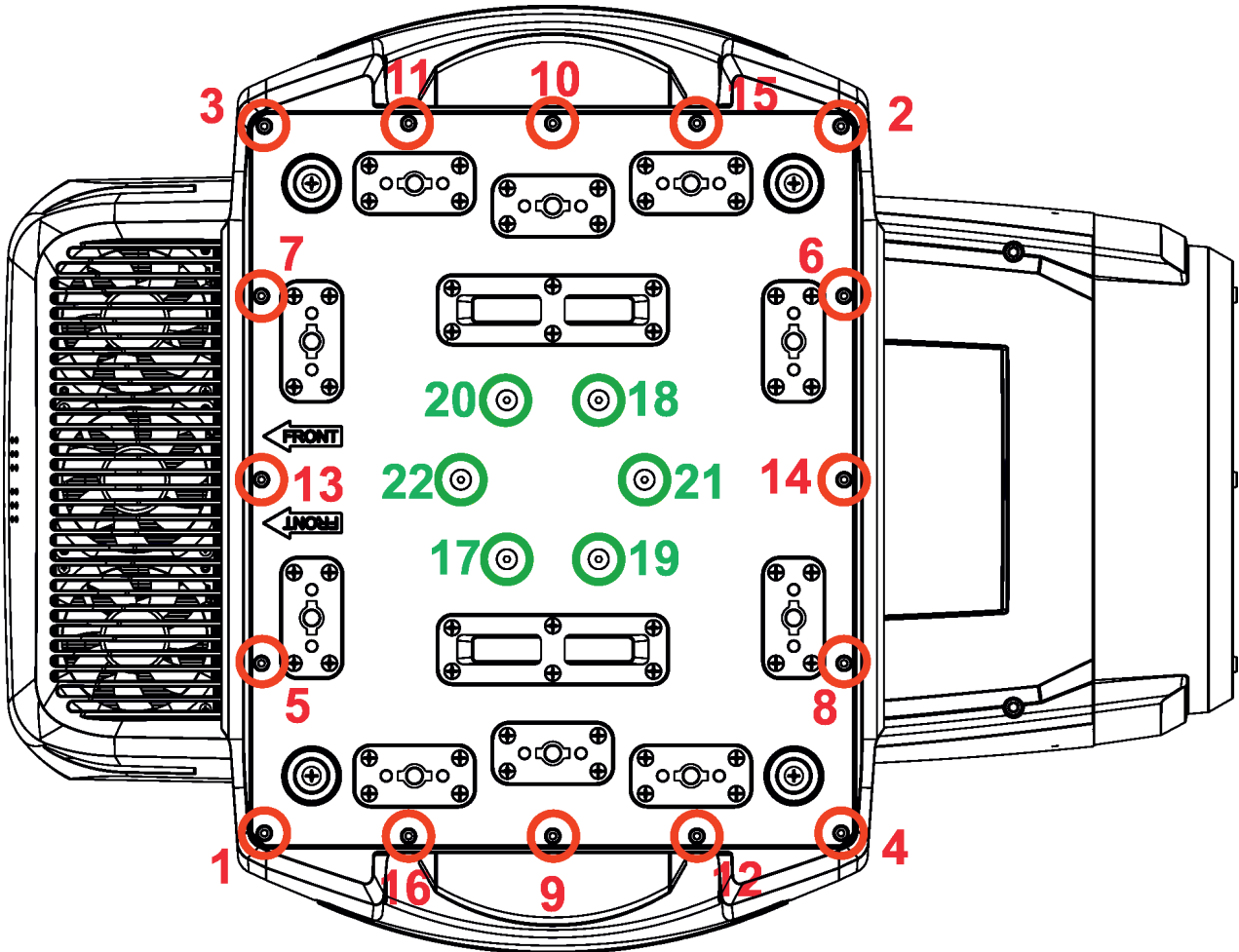
Before replacing the battery, disconnect the fixture from the mains.

1. Using a flat-blade screwdriver, unscrew (anti-clockwise) the battery cover from the base.
2. Unscrew (anti-clockwise) the battery holder cap.
3. Remove the exhausted battery from the battery holder.
4. Place a new battery (only the same type) into the battery holder.
5. Screw the battery holder cap back.
6. Screw the battery holder cap cover back to base and reconnect power.

### 13.1 Fixture watertight covers and torques of covers crews

Keep values of torques as stated on pictures below otherwise leakage issues can occur.

#### Bottom base cover

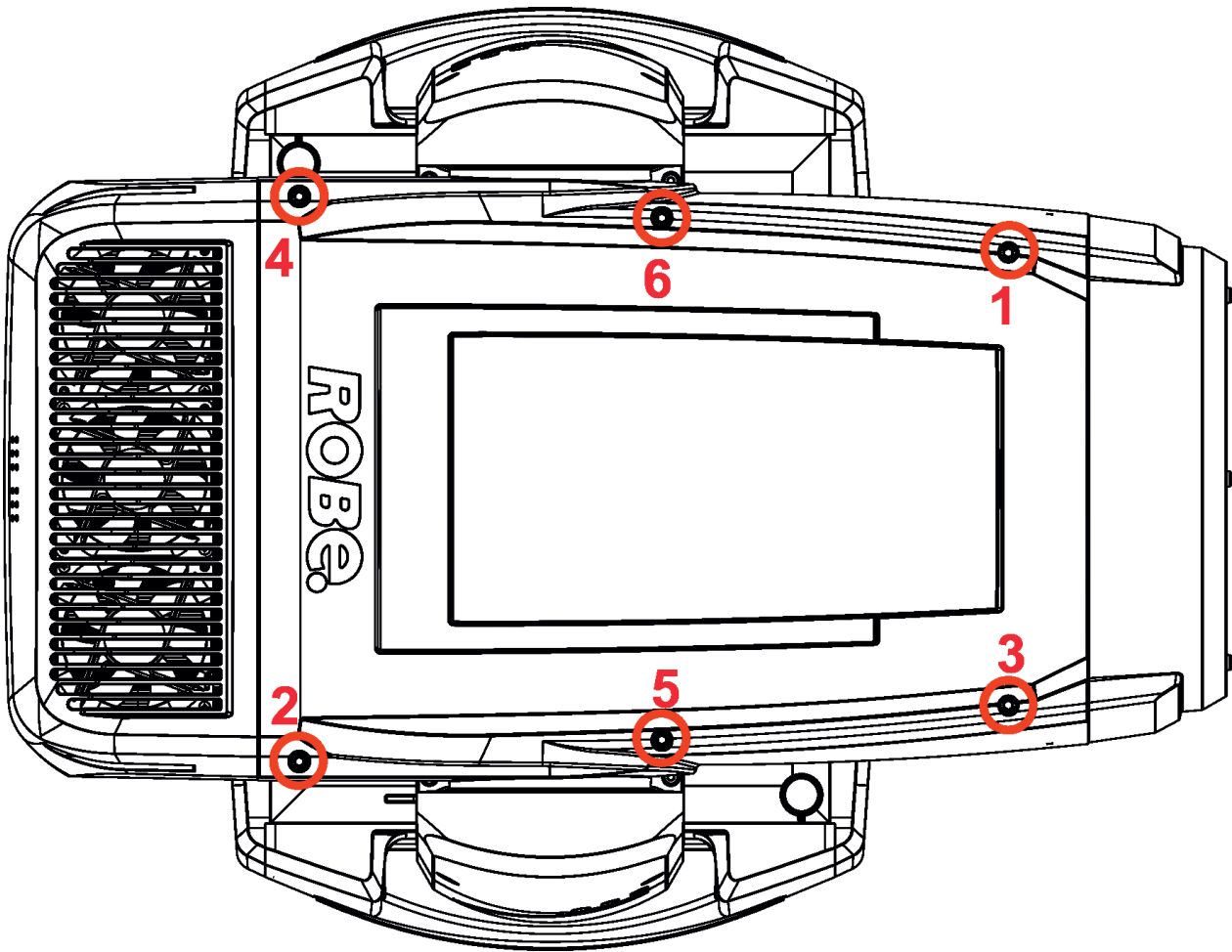


Screws must be tightened  
in the order 1-->16  
17-->22.

- 16 x hex socket head screw M4x14  
Tightening torque: 2.2-2.5 Nm
- 6 x flat head screw M5x18  
Tightening torque: 2.5 Nm

Carefully check the gasket for signs of deformities or hardening and if it is correctly placed before screwing the bottom base cover back.

Head covers (on both sides of the head)

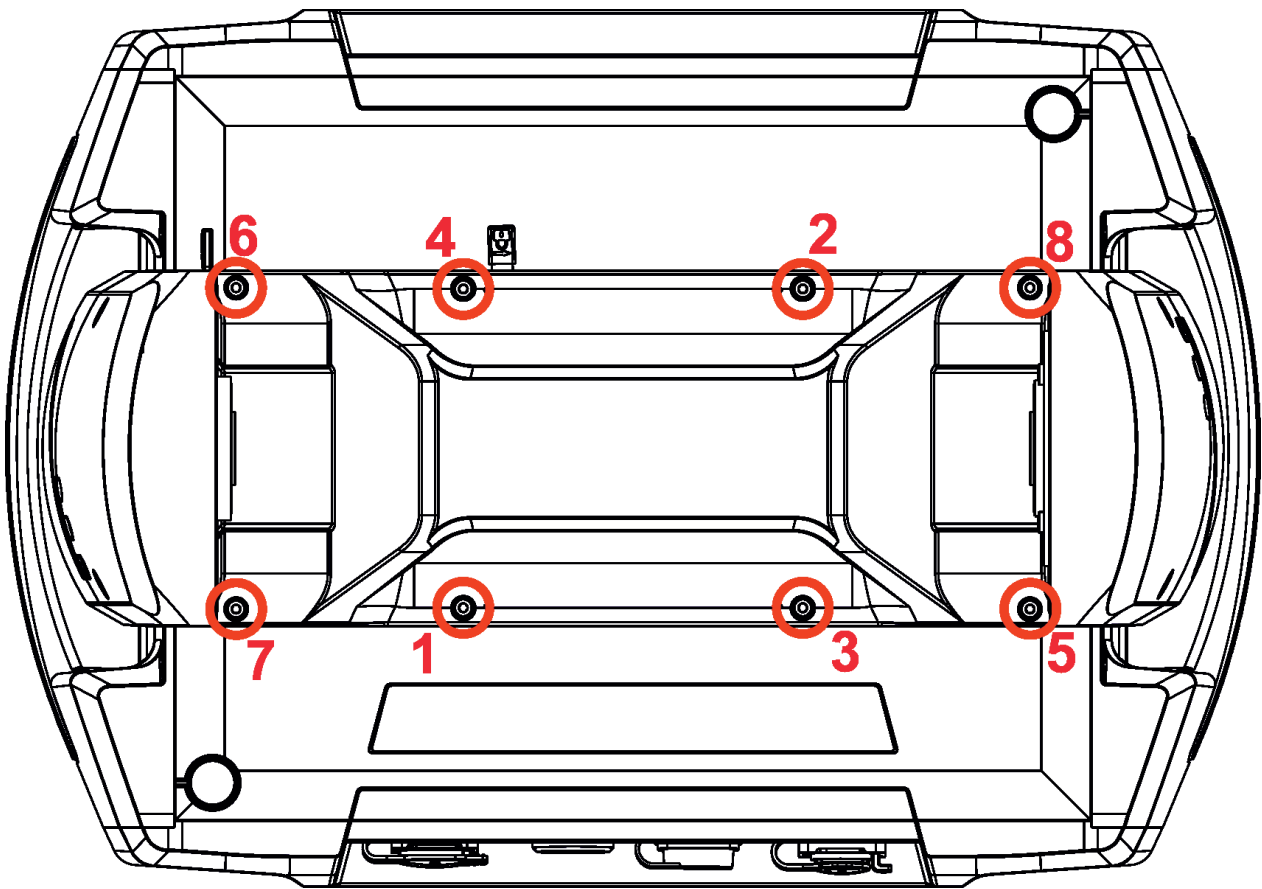


Screws must be tightened  
in the order 1-->6

6 x hex socket head screw M5x16  
Tightening torque: 2.5 Nm

Carefully check the gasket for signs of deformities or hardening and if it is correctly placed before screwing head covers back.

## Yoke cover



Screws must be tightened  
in the order 1-->8,

8 x hex socket head screw M4x8  
Tightening torque: 2.5 Nm

Carefully check the gasket for signs of deformities or hardening and if it is correctly placed before screwing the yoke cover back.

## 13.2 Disposing of the product

To preserve the environment please dispose or recycle this product at the end of its life according to the local regulations and codes.

I

August 24, 2022

Copyright © 2020-2022 Robe Lighting - All rights reserved

All Specifications subject to change without notice

Made in CZECH REPUBLIC by ROBE LIGHTING s.r.o. Palackeho 416/20 CZ 75701 Valasske Mezirici





## DMX protocol

<b>Robin iFORTE - DMX protocol</b>		
Version: 1.0		
Mode 1 - Standard 16 bit, Mode 2 -enhanced gobo control		
<b>Quick overview of default DMX values for each channel</b>		
Mode/Channel	Default DMX Value	Function
1	Value	Function
1	128	Pan
2	0	Pan Fine
3	128	Tilt
4	0	Tilt fine
5	0	Pan/Tilt speed , Pan/Tilt time
6	0	Power/Special functions
7	10	LED frequency selection
8	128	LED frequency fine adjusting
9	0	Max. light intensity indication and setting
10	0	Colour wheel 1
11	0	Colour wheel 1-fine positioning
12	0	Colour wheel 2
13	0	Colour wheel 2-fine positioning
14	0	Cyan
15	0	Magenta
16	0	Yellow
17	0	CTO
18	128	Green correction
19	0	Virtual colour wheel
20	0	Effects speed
21	0	CMY+CTO+Colour wheels time
22	0	Framing shutters/Zoom/Focus/Iris/Frost/Prism time
23	0	Effect wheel positioning
24	128	Effect wheel rotation
25	0	Effect wheel animations
26	0	Rot. Gobo wheel 1
27	128	Rot. Gobo 1 indexing and rotation
28	0	Rot. Gobo 1 indexing/rotation - fine
29	0	Rot. Gobo wheel 2
30	128	Rot. Gobo 2 indexing and rotation
31	0	Rot. Gobo 2 indexing/rotation - fine
32	0	Prism 1 (6-facet linear)
33	128	Prism 1 indexing/rotation
34	0	Prism 2 (6-facet circular)
35	128	Prism 2 indexing/rotation
36	0	Frost
37	0	Iris
38	0	Iris - fine
39	128	Zoom
40	0	Zoom - fine
41	128	Focus
42	0	Focus - fine
43	128	Framing shutters module rotation

DMX protocol

Mode/Channel	Default DMX Value	Function	
1			
44	0	Framing shutter 1- movement	
45	128	Framing shutter 1- swivelling	
46	0	Framing shutter 2- movement	
47	128	Framing shutter 2- swivelling	
48	0	Framing shutter 3 movement	
49	128	Framing shutter 3- swivelling	
50	0	Framing shutter 4 movement	
51	128	Framing shutter 4- swivelling	
52	32	Shutter/ strobe	
53	0	Dimmer intensity	
54	0	Dimmer intensity - fine	
Mode/Channel	DMX Value	Function	Type of control
1		<b>Pan</b>	
	0 - 255	Pan movement by 540° (128=default)	proportional
2		<b>Pan Fine</b>	
	0 - 255	Fine control of pan movement (0=default)	proportional
3		<b>Tilt</b>	
	0 - 255	Tilt movement by 270° (128=default)	proportional
4		<b>Tilt fine</b>	
	0 - 255	Fine control of tilt movement (0=default)	proportional
5		<b>Pan/Tilt speed , Pan/Tilt time</b>	
	0	Standard mode (0=default)	step
	1	Max. Speed Mode	step
		<b><i>Pan/Tilt speed mode</i></b>	
	2 - 255	Speed from max. to min.	proportional
		<b><i>Pan/Tilt time mode</i></b>	
	2 - 255	Time from 0.2 sec. to 25.5 sec.	proportional
6		<b>Power/Special functions</b>	
		Factory display menu setting: DMX Input-Wired ,Graphic display-On, Pan/tilt Mode-Speed,Blackout while pan/tilt moving-Off, Blackout while gobo wheels moving-Off,Blackout while colour wheels moving-Off, Fans mode-Auto, High-power mode Off , Quiet mode: Fans Off at blackout.	
	0 -9	Reserved (0=default)	
		<i>To activate following functions, stop in DMX value for at least 3 s and shutter must be closed at least 3 sec. (Channel „Shutter/ Strobe” 52 must be at range: 0-31 DMX). Corresponding menu items are temporarily overridden except DMX input .</i>	
	10-14	DMX input: Wired DMX *	step
	15-19	DMX input: Wireless DMX *	step
		* function is active only 10 seconds after switching the fixture on	
	20-24	Graphic display: On	step
	25-29	Graphic display: Off	step
	30-31	Quiet mode: Fans On at blackout	step
	32-33	Quiet mode: Fans Off at blackout	step
	34-39	Reserved	

DMX protocol

Mode/Channel		Function	Type of control
1	DMX Value		
	40-44	Pan/Tilt mode: Speed	step
	45-49	Pan/Tilt mode: Time	step
	50-54	Blackout while pan/tilt moving: On	step
	55-59	Blackout while pan/tilt moving: Off	step
	60-64	Blackout while gobo wheels moving: On	step
	65-69	Blackout while gobo wheels moving: Off	step
	70-74	Blackout while colour wheels moving: On	step
	75-79	Blackout while colour wheels moving: Off	step
	80-84	Fans mode: Auto	step
	85-89	Fans mode: High	step
	90-94	Reserved	
	95-99	Dimmer curve: Super Square Law	step
	100-104	Focus Tracking: On	step
	105-109	Focus Tracking: Off	step
	110-114	Dimmer curve: Square law	step
	115-119	Dimmer curve: Linear	step
	120-124	Parking position: On	step
	125-129	Parking position: Off	step
		<i>To activate following functions, stop in DMX value for at least 3 seconds.</i>	
	130 - 139	Total Fixture reset (except pan/tilt)	step
	140 - 149	Pan/Tilt reset	step
	150 - 159	Colour system reset	step
	160 - 169	Gobo wheels/effect wheel reset	step
	170 - 179	Reserved	
	180 - 189	Zoom/focus/frost/prisms reset	step
	190 - 199	Iris /framing shutters reset	step
	200 - 209	Total fixture reset (including pan/tilt)	step
	210 - 218	Reserved	
		The following three commands define transition from gobo rotation to gobo indexing:	
	219 - 220	Gobo indexing: Maximum speed and shortcut	step
	221 - 222	Gobo indexing: Follow speed and direction	step
	223 - 224	Gobo indexing: Maximum speed and follow direction	step
		The following RoboSpot related commands are only applicable when the RoboSpot is connected:	
	225 - 229	RoboSpot enabled	step
	230 - 234	RoboSpot disabled - except handle faders and pan/tilt	step
	235 - 239	RoboSpot fully disabled	step
	240	Disabled "Quiet mode"	step
	241 - 255	Quiet mode - fan noise control from min. to max.	proportional
<b>7</b>		<b>LED frequency selection</b>	
		Factory display menu setting: 600Hz	
		<i>Select PWM output frequency of LEDs. Selected PWM frequency can be fine adjusted in 127 steps up/down around selected PWM frequency on the channel below. Corresponding menu item (Frequency Setup) is temporarily overridden.</i>	
	0-4	PWM frequency from Display menu (fixture utilizes PWM frequency set in the display menu item Frequency Setup).	step
	5-9	300 Hz	step

DMX protocol

Mode/Channel	DMX Value	Function	Type of control
<b>1</b>	10-14	600 Hz (10=default)	step
	15-19	1200 Hz	step
	20-24	2400 Hz	step
	25-255	Reserved (fixture utilizes PWM frequency set in the display menu item Frequency Setup).	
<b>8</b>		<b>LED frequency fine adjusting</b>	
		Factory display menu setting: 600Hz	
		<i>Select desired PWM output frequency of LEDs on the channel above.</i>	
	0-1	Selected LED Frequency	step
	2	LED Frequency (step -126)	step
	3	LED Frequency (step -125)	step
	4	LED Frequency (step -124)	step
	:		
	125	LED Frequency (step -3)	step
	126	LED Frequency (step -2)	step
	127	LED Frequency (step -1)	step
	128	Selected LED Frequency (128=default)	step
	129	LED Frequency (step +1)	step
	130	LED Frequency (step +2)	step
	131	LED Frequency (step +3)	step
	:		
	252	LED Frequency (step +124)	step
	253	LED Frequency (step +125)	step
	254	LED Frequency (step +126)	step
	255	Selected LED Frequency	step
<b>9</b>		<b>Max. light intensity indication and setting</b>	
	0-10	No function (0=default)	
	11-20	Indication of drop of max. light intensity	step
		<i>A drop of max. light intensity of the fixture (compared to its original intensity) is indicated by a corresponding colour output: 0-5%, (WHITE /new LED module/) 6-10% (RED) 11-15% (GREEN) 16-20% (BLUE ) 21-25% (CYAN ) 26-30% (MAGENTA) 31-35% (YELLOW) 36-40% (ORANGE) Pan/tilt/zoom is set at 128 DMX (50%), Dimmer is open at 255 DMX (100%).</i>	
		<i>To set a drop of max. light intensity (compared to original light intensity), stay at DMX value for at least 3 sec. and shutter must be closed at least 3 sec. (Channel „Shutter/ Strobe“ 52 must be at range: 0-31 DMX). Corresponding menu items are permanently overwritten.</i>	
	21-30	Set drop by 6-10% (RED)	step
	31-40	Set drop by 11-15% (GREEN)	step
	41-50	Set drop by 16-20% (BLUE)	step

DMX protocol

Mode/Channel	DMX Value	Function	Type of control
<b>1</b>	51-60	Set drop by 21-25% (CYAN)	step
	61-70	Set drop by 26-30% (MAGENTA)	step
	71-80	Set drop by 31-35% (YELLOW)	step
	81-90	Set drop by 36-40% (ORANGE)	step
	91-100	Original intensity (WHITE)	step
	101-255	Reserved	
<b>10</b>		<b>Colour wheel 1</b>	
		<i>Continual positioning</i>	
	0	Open/white (0=default)	proportional
	21	Deep red	proportional
	43	Deep blue	proportional
	64	Orange	proportional
	86	Green	proportional
	107	Congo blue	proportional
	128-129	Open/White	step
		<i>Positioning</i>	
	130-141	Deep red	step
	142-153	Deep blue	step
	154-165	Orange	step
	166-177	Green	step
	178-189	Congo blue	step
	190 - 215	Forwards rainbow effect from fast to slow	proportional
	216 - 217	No rotation	step
	218 - 243	Backwards rainbow effect from slow to fast	proportional
	244 - 249	Random colour selection by audio control (Set microphone sensitivity in menu „Personality“)	step
	250 - 255	Auto random colour selection from fast to slow	proportional
<b>11</b>		<b>Colour wheel 1 - fine positioning</b>	
	0 - 255	Fine positioning (0=default)	proportional
<b>12</b>		<b>Colour wheel 2</b>	
		<i>Continual positioning</i>	
	0	Open/white (0=default)	proportional
	21	Multicolour	proportional
	43	Laser green	proportional
	64	Lavender	proportional
	86	Filter CRI 80	proportional
	107	Filter CRI 90	proportional
	128-129	Open/White	step
		<i>Positioning</i>	
	130-141	Multicolour	step
	142-153	Laser green	step
	154-165	Lavender	step
	166-177	Filter CRI 80	step
	178-189	Filter CRI 90	step
	190 - 215	Forwards rainbow effect from fast to slow	proportional
	216 - 217	No rotation	step
	218 - 243	Backwards rainbow effect from slow to fast	proportional
	244 - 249	Random colour selection by audio control	step

DMX protocol

Mode/Channel	DMX Value	Function	Type of control
<b>1</b>		(Set microphone sensitivity in menu „Personality“)	
	250 - 255	Auto random colour selection from fast to slow	proportional
<b>13</b>		<b>Colour wheel 2 - fine positioning</b>	
	0 - 255	Fine positioning (0=default)	proportional
<b>14</b>		<b>Cyan</b>	
	0 - 255	Cyan from min. saturation --> full cyan (0=default)	proportional
<b>15</b>		<b>Magenta</b>	
	0 - 255	Magenta from min. saturation --> full magenta (0=default)	proportional
<b>16</b>		<b>Yellow</b>	
	0 - 255	Yellow from min. saturation --> full yellow (0=default)	proportional
<b>17</b>		<b>CTO filter</b>	
	0 - 255	CTO from 6700K --> 3000K (0=default)	proportional
<b>18</b>		<b>Green correction</b>	
	0	Uncorrected white	step
	1-127	Minus green --> uncorrected white	proportional
	128	Uncorrected white (128=default)	step
	129-255	Uncorrected white --> Plus green	proportional
<b>19</b>		<b>Virtual colour wheel</b>	
	0	No function (0=default)	step
	1-2	Filter 4 (Medium Bastard Amber)	step
	3-4	Filter 10 (Medium Yellow)	step
	5-6	Filter 19 (Fire)	step
	7-8	Filter 26 (Bright Red)	step
	9-10	Filter 58 (Lavender)	step
	11-12	Filter 68 (Sky Blue)	step
	13-14	Filter 71 (Tokyo Blue)	step
	15-16	Filter 79 (Just Blue)	step
	17-18	Filter 88 (Lime Green)	step
	19-20	Filter 90 (Dark Yellow Green)	step
	21-22	Filter 100 (Spring Yellow)	step
	23-24	Filter 101 (Yellow)	step
	25-26	Filter 102 (Light Amber)	step
	27-28	Filter 103 (Straw)	step
	29-30	Filter 104 (Deep Amber)	step
	31-32	Filter 105 (Orange)	step
	33-34	Filter 106 (Primary Red)	step
	35-36	Filter 111 (Dark Pink)	step
	37-38	Filter 115 (Peacock Blue)	step
	39-40	Filter 116 (Medium Blue-Green)	step
	41-42	Filter 117 (Steel Blue)	step
	43-44	Filter 118 (Light Blue)	step
	45-46	Filter 119 (Dark Blue)	step
	47-48	Filter 120 (Deep Blue)	step
	49-50	Filter 121 (Filter Green)	step
	51-52	Filter 128 (Bright Pink)	step
	53-54	Filter 131 (Marine Blue)	step
	55-56	Filter 132 (Medium Blue)	step
	57-58	Filter 134 (Golden Amber)	step

DMX protocol

Mode/Channel	DMX Value	Function	Type of control
1			
	59-60	Filter 135 (Deep Golden Amber)	step
	61-62	Filter 136 (Pale Lavender)	step
	63-64	Filter 137 (Special Lavender)	step
	65-66	Filter 138 (Pale Green)	step
	67-68	Filter 139 (Primary Green)	step
	69-70	Filter 141 (Bright Blue)	step
	71-72	Filter 147 (Apricot)	step
	73-74	Filter 148 (Bright Rose)	step
	75-76	Filter 152 (Pale Gold)	step
	77-78	Filter 154 (Pale Rose)	step
	79-80	Filter 157 (Pink)	step
	81-82	Filter 158 (Deep Orange)	step
	83-84	Filter 162 (Bastard Amber)	step
	85-86	Filter 164 (Flame Red)	step
	87-88	Filter 165 (Daylight Blue)	step
	89-90	Filter 169 (Lilac Tint)	step
	91-92	Filter 170 (Deep Lavender)	step
	93-94	Filter 172 (Lagoon Blue)	step
	95-96	Filter 179 (Chrome Orange)	step
	97-98	Filter 180 (Dark Lavender)	step
	99-100	Filter 181 (Congo Blue)	step
	101-102	Filter 197 (Alice Blue)	step
	103-104	Filter 201 (Full C.T. Blue)	step
	105-106	Filter 202 (Half C.T. Blue)	step
	107-108	Filter 203 (Quarter C.T. Blue)	step
	109-110	Filter 204 (Full C.T. Orange)	step
	111-112	Filter 205 (Half C.T. Orange)	step
	113-114	Filter 206 (Quarter C.T. Orange)	step
	115-116	Filter 247 (Filter Minus Green)	step
	117-118	Filter 248 (Half Minus Green)	step
	119-120	Filter 281 (Three Quarter C.T. Blue)	step
	121-122	Filter 285 (Three Quarter C.T. Orange)	step
	123-124	Filter 352 (Glacier Blue)	step
	125-126	Filter 353 (Lighter Blue)	step
	127-128	Filter 715 (Cabana Blue)	step
	129-130	Filter 778 (Millennium Gold)	step
	131-132	Filter 793 (Vanity Fair)	step
	133-255	Reserved	
<b>20</b>		<b>Effects Speed</b>	
		<i>Speed of CMY&amp;CTO movement and Rot. Gobos selection</i>	
	0-255	Speed of CMY+CTO movement from max. to min. (0=default)	proportional
	0-255	Speed of Rot. Gobos selection from max. to min.	proportional
<b>21</b>		<b>CMY+CTO+Colour wheels time</b>	
	0	Function is off (0=default)	step
	1 - 255	Time of CMY, CTO and Colour wheels movement (0.1sec-->25.5sec.)	proportional
<b>22</b>		<b>Framing shutters/Zoom/Focus/Iris/Frost/Prism time</b>	
	0	Function is off (0=default)	step

DMX protocol

Mode/Channel	DMX Value	Function	Type of control
<b>1</b>	1 - 255	Time of framing shutters, zoom, focus, iris and frost movement (0.1 sec-->25.5 sec.)	proportional
	1-50	Time of prism movement (0.1 sec-->5 sec.)	proportional
<b>23</b>		<b>Effect wheel positioning</b>	
	0-19	No function (0=default)	step
	20-127	Proportional indexing (73-center)	proportional
	128-170	Ramping from open to full position ( max--->min. speed)	proportional
	171-213	Ramping from open to half position ( max. --->min. speed)	proportional
	214-255	Ramp. from half position to full position ( max. --->min. speed)	proportional
<b>24</b>		<b>Effect wheel rotation</b>	
	0	No rotation	step
	1 - 127	Forwards rotation from fast to slow	proportional
	128	No rotation (128=default)	step
	129 - 255	Backwards rotation from slow to fast	proportional
<b>25</b>		<b>Effect wheel animations</b>	
	0-7	No animation (0=default)	
		<i>Note : Set suitable DMX value at <b>Focus</b> channel to get desired animation. All animations were created at distance of 5 m from screen with zoom=128 DMX, Focus value is different for each effect (focus value is stated in parentheses for this distance)</i>	
		<i>The following channels are blocked: Effect wheel positioning, Effect wheel rotation, Rotating gobo wheel 1/2, Rot. Gobo 1/2 indexing and rotation, Rot. Gobo wheel 1/2 fine rotation.</i>	
	8-9	Macro 1 (Focus=190)	step
	10-11	Macro 2 (Focus=167)	step
	12-13	Macro 3 (Focus=170)	step
	14-15	Macro 4 (Focus=170)	step
	16-17	Macro 5 (Focus=170)	step
	18-19	Macro 6 (Focus=136)	step
	20-21	Macro 7 (Focus=140)	step
	22-23	Macro 8 (Focus=130)	step
	24-25	Macro 9 (Focus=142)	step
	26-27	Macro 10 (Focus=140)	step
	28-255	Reserved	
<b>26</b>		<b>Rotating gobo wheel 1</b>	
		<i>Index - set indexing on channel 27</i>	
	0-4	Open/hole (0=default)	step
	5-8	Gobo 1	step
	9-13	Gobo 2	step
	14-17	Gobo 3	step
	18-22	Gobo 4	step
	23-26	Gobo 5	step
	27-31	Gobo 6	step
		<i>Rotation - set rotation on channel 27</i>	
	32-35	Gobo 1	step
	36-40	Gobo 2	step
	41-44	Gobo 3	step
	45-49	Gobo 4	step
	50-54	Gobo 5	step



DMX protocol

Mode/Channel	DMX Value	Function	Type of control
1			
	55-59	Gobo 6	step
		<b>Shaking gobos from slow to fast</b>	
		<i>Index - set indexing on channel 27</i>	
	60-71	Gobo 1	proportional
	72-83	Gobo 2	proportional
	84-95	Gobo 3	proportional
	96-106	Gobo 4	proportional
	107-118	Gobo 5	proportional
	119-129	Gobo 6	proportional
		<b>Shaking gobos from slow to fast</b>	
		<i>Rotation - set rotation on channel 27</i>	
	130-141	Gobo 1	proportional
	142-153	Gobo 2	proportional
	154-165	Gobo 3	proportional
	166-176	Gobo 4	proportional
	177-188	Gobo 5	proportional
	189-199	Gobo 6	proportional
	200 - 201	Open/hole	step
	202 - 222	Forwards gobo wheel rotation from fast to slow	proportional
	223 - 243	Backwards gobo wheel rotation from slow to fast	proportional
	244 - 249	Random gobo selection by audio control (Set microphone sensitivity in menu „Personality“)	step
	250 - 255	Auto random gobo selection from fast to slow	proportional
<b>27</b>		<b>Rot. Gobo 1 indexing and rotation</b>	
		<i>Gobo indexing - set position on channel 26</i>	
	0 - 255	Gobo indexing	proportional
		<i>Gobo rotation - set position on channel 26</i>	
	0	No rotation	step
	1 - 127	Forwards gobo rotation from fast to slow	proportional
	128	No rotation (128=default)	step
	129 - 255	Backwards gobo rotation from slow to fast	proportional
<b>28</b>		<b>Rot. Gobo 1 indexing/rotation - fine</b>	
	0-255	Fine indexing/rotation (0=default)	proportional
<b>29</b>		<b>Rotating gobo wheel 2</b>	
		<i>Index - set indexing on channel 30</i>	
	0-4	Open/hole (0=default)	step
	5-8	Gobo 1	step
	9-13	Gobo 2	step
	14-17	Gobo 3	step
	18-22	Gobo 4	step
	23-26	Gobo 5	step
	27-31	Gobo 6	step
		<i>Rotation - set rotation on channel 30</i>	
	32-35	Gobo 1	step
	36-40	Gobo 2	step
	41-44	Gobo 3	step
	45-49	Gobo 4	step
	50-54	Gobo 5	step

## DMX protocol

Mode/Channel	DMX Value	Function	Type of control
1			
	55-59	Gobo 6	step
		<b>Shaking gobos from slow to fast</b>	
		<i>Index - set indexing on channel 30</i>	
	60-71	Gobo 1	proportional
	72-83	Gobo 2	proportional
	84-95	Gobo 3	proportional
	96-106	Gobo 4	proportional
	107-118	Gobo 5	proportional
	119-129	Gobo 6	proportional
		<b>Shaking gobos from slow to fast</b>	
		<i>Rotation - set rotation on channel 30</i>	
	130-141	Gobo 1	proportional
	142-153	Gobo 2	proportional
	154-165	Gobo 3	proportional
	166-176	Gobo 4	proportional
	177-188	Gobo 5	proportional
	189-199	Gobo 6	proportional
	200 - 201	Open/hole	step
	202 - 222	Forwards gobo wheel rotation from fast to slow	proportional
	223 - 243	Backwards gobo wheel rotation from slow to fast	proportional
	244 - 249	Random gobo selection by audio control	step
		(Set microphone sensitivity in menu „Personality“)	
	250 - 255	Auto random gobo selection from fast to slow	proportional
<b>30</b>		<b>Rot. Gobo 2 indexing and rotation</b>	
		<i>Gobo indexing - set position on channel 29</i>	
	0 - 255	Gobo indexing	proportional
		<i>Gobo rotation - set position on channel 29</i>	
	0	No rotation	step
	1 - 127	Forwards gobo rotation from fast to slow	proportional
	128	No rotation (128=default)	step
	129 - 255	Backwards gobo rotation from slow to fast	proportional
<b>31</b>		<b>Rot. Gobo 2 indexing/rotation - fine</b>	
	0-255	Fine indexing/rotation (0=default)	proportional
<b>32</b>		<b>Prism 1 (6-facet linear)</b>	
	0 - 19	Open position - hole (0=default)	step
	20 - 73	Prism 1 indexing	step
	74-127	Prism 1 rotation	step
		<b>Prism 1 /gobo macros</b>	
		<i>The following channels are blocked: Prism 1, Prism 1 indexing/ rotation, Rotating gobo 1/2 wheel, Rot. Gobo 1/2 indexing and rotation, Rot. Gobo 1/2 fine rotation.</i>	
	128 - 135	Macro 1	step
	136 - 143	Macro 2	step
	144 - 151	Macro 3	step
	152 - 159	Macro 4	step
	160 - 167	Macro 5	step
	168 - 175	Macro 6	step
	176 - 183	Macro 7	step

DMX protocol

Mode/Channel	DMX Value	Function	Type of control
<b>1</b>	184 - 191	Macro 8	step
	192 - 199	Macro 9	step
	200 - 207	Macro 10	step
	208 - 215	Macro 11	step
	216 - 223	Macro 12	step
	224 - 231	Macro 13	step
	232 - 239	Macro 14	step
	240 - 247	Macro 15	step
	248 - 255	Macro 16	step
<b>33</b>		<b>Prism 1 indexing/rotation</b>	
		<i>Prism 1 indexing - set position on channel 32</i>	
	0 - 255	Prism 1 indexing	proportional
		<i>Prism 1 rotation - set position on channel 32</i>	
	0	No rotation	step
	1 - 127	Forwards prism rotation from fast to slow	proportional
	128	No rotation (128=default)	step
	129-255	Backwards prism rotation from slow to fast	proportional
<b>34</b>		<b>Prism 2 (6-facet circular)</b>	
	0 - 19	Open position - hole (0=default)	step
	20-127	Prism 2 rotation	step
		<b>Prism 2 /gobo macros</b>	
		<i>The following channels are blocked: Prism 2, Prism 2 rotation, Rotating gobo wheel 1/2, Rot. Gobo 1/2 indexing and rotation, Rot. Gobos 1/2 fine rotation.</i>	
	128 - 135	Macro 1	step
	136 - 143	Macro 2	step
	144 - 151	Macro 3	step
	152 - 159	Macro 4	step
	160 - 167	Macro 5	step
	168 - 175	Macro 6	step
	176 - 183	Macro 7	step
	184 - 191	Macro 8	step
	192 - 199	Macro 9	step
	200 - 207	Macro 10	step
	208 - 215	Macro 11	step
	216 - 223	Macro 12	step
	224 - 231	Macro 13	step
	232 - 239	Macro 14	step
	240 - 247	Macro 15	step
248 - 255	Macro 16	step	
<b>35</b>		<b>Prism 2 rotation</b>	
	0	No rotation	step
	1 - 127	Forwards prism rotation from fast to slow	proportional
	128	No rotation (128=default)	step
	129-255	Backwards prism rotation from slow to fast	proportional
<b>36</b>		<b>Frost</b>	
	0	Open (0=default)	step
		<b>Light Frost</b>	

## DMX protocol

Mode/Channel		Function	Type of control
1	DMX Value		
	1-50	Light Frost from 0% to 100%	proportional
	51-53	100% Light Frost	step
	54-63	Pulse closing from slow to fast	proportional
	64-73	Pulse opening from fast to slow	proportional
	74-83	Ramping from fast to slow	proportional
	84-86	Open	step
		<b>Medium Frost</b>	
	87-136	Medium Frost from 0% to 100%	proportional
	137-139	100% Medium Frost	step
	140-149	Pulse closing from slow to fast	proportional
	150-159	Pulse opening from fast to slow	proportional
	160-169	Ramping from fast to slow	proportional
	170-255	Open	step
<b>37</b>		<b>Iris</b>	
	0	Open (0=default)	step
	1 - 179	From max. diameter to min. diameter	proportional
	180 - 191	Closed	step
		<b>Pulse effects with Iris blackout</b>	
	192 - 219	Pulse opening from slow to fast	proportional
	220 - 247	Pulse closing from fast to slow	proportional
	248 - 249	Random pulse opening (fast)	step
	250 - 251	Random pulse opening (slow)	step
	252 - 253	Random pulse closing (fast)	step
	254 - 255	Random pulse closing (slow)	step
<b>38</b>		<b>Iris - fine</b>	
	0 - 255	Fine iris movement (0=default)	proportional
<b>39</b>		<b>Zoom</b>	
	0 - 255	Zoom from max. to min. beam angle (128=default)	proportional
<b>40</b>		<b>Zoom - fine</b>	
	0-255	Fine zooming (0=default)	proportional
<b>41</b>		<b>Focus</b>	
	0 - 255	Continuous adjustment from far to near (128=default)	proportional
<b>42</b>		<b>Focus - fine</b>	
	0- 255	Fine focusing (0=default)	proportional
<b>43</b>		<b>Framing shutters module rotation</b>	
	0-127	Rotation from right (0°) to 60°	proportional
	128	Centre (128=default)	step
	129-255	Rotation from 60° to left (120°)	proportional
<b>44</b>		<b>Framing shutter 1- movement</b>	
	0-255	Movement from Outward to Inward (0=default)	proportional
<b>45</b>		<b>Framing shutter 1- swivelling</b>	
	0-127	Swivelling from -30 degrees towards 0 degrees	proportional
	128	0 degrees (128=default)	step
	129-255	Swivelling from 0 degrees to +30 degrees	proportional
<b>46</b>		<b>Framing shutter 2- movement</b>	
	0-255	Movement from Outward to Inward (0=default)	proportional
<b>47</b>		<b>Framing shutter 2- swivelling</b>	
	0-127	Swivelling from -30 degrees towards 0 degrees	proportional

## DMX protocol

Mode/Channel	DMX Value	Function	Type of control
<b>1</b>	128	0 degrees (128=default)	step
	129-255	Swivelling from 0 degrees to +30 degrees	proportional
<b>48</b>		<b>Framing shutter 3 movement</b>	
	0-255	Movement from Outward to Inward (0=default)	proportional
<b>49</b>		<b>Framing shutter 3- swivelling</b>	
	0-127	Swivelling from -30 degrees towards 0 degrees	proportional
	128	0 degrees (128=default)	step
	129-255	Swivelling from 0 degrees to +30 degrees	proportional
<b>50</b>		<b>Framing shutter 4 movement</b>	
	0-255	Movement from Outward to Inward (0=default)	proportional
<b>51</b>		<b>Framing shutter 4- swivelling</b>	
	0-127	Swivelling from -30 degrees towards 0 degrees	proportional
	128	0 degrees (128=default)	step
	129-255	Swivelling from 0 degrees to +30 degrees	proportional
<b>52</b>		<b>Shutter/ strobe</b>	
	0 - 31	Shutter closed	step
	32 - 63	Shutter open (32=default)	step
	64 - 95	Strobe-effect from slow to fast	proportional
	96 - 127	Shutter open	step
	128 - 143	Opening pulse in sequences from slow to fast	proportional
	144 - 159	Closing pulse in sequences from fast to slow	proportional
	160 - 191	Shutter open	step
	192 - 223	Random strobe-effect from slow to fast	proportional
	224 - 255	Shutter open	step
<b>53</b>		<b>Dimmer intensity</b>	
	0 - 255	Dimmer intensity from 0% to 100% (0=default)	proportional
<b>54</b>		<b>Dimmer intensity - fine</b>	
	0 - 255	Fine dimming (0=default)	proportional
Copyright ©2022 Robe Lighting s.r.o. - All rights reserved			
All Specifications subject to change without notice			

Robin iForte - Colours on Virtual Colour Wheel						
Colour name	Col. Wheel 1 DMX	Col. Wheel 2 DMX	Cyan DMX	Magenta DMX	Yellow DMX	CTO DMX
Filter 4 (Medium Bastard Amber)	0	0	0	132	133	196
Filter 10 (Medium Yellow)	0	0	0	6	195	255
Filter 19 (Fire)	0	0	0	234	255	0
Filter 26 (Bright Red)	135	0	0	0	0	0
Filter 58 (Lavender)	0	0	0	191	93	0
Filter 68 (Sky Blue)	0	0	188	165	0	0
Filter 71 (Tokyo Blue)	144	0	0	0	0	0
Filter 79 (Just Blue)	0	0	190	168	0	0
Filter 88 (Lime Green)	0	0	114	0	197	0
Filter 90 (Dark Yellow Green)	0	0	214	0	212	0
Filter 100 (Spring Yellow)	0	0	0	0	191	154
Filter 101 (Yellow)	0	0	0	73	193	225
Filter 102 (Light Amber)	0	0	0	92	162	155
Filter 103 (Straw)	0	0	0	0	124	225
Filter 104 (Deep Amber)	0	0	0	161	215	0
Filter 105 (Orange)	0	0	0	186	228	0
Filter 106 (Primary Red)	0	0	0	255	255	0
Filter 111 (Dark Pink)	0	0	0	184	176	0
Filter 115 (Peacock Blue)	0	0	230	0	163	0
Filter 116 (Medium Blue-Green)	0	0	230	0	174	0
Filter 117 (Steel Blue)	0	0	164	31	140	0
Filter 118 (Light Blue)	0	0	216	0	149	0
Filter 119 (Dark Blue)	0	0	255	109	0	0
Filter 120 (Deep Blue)	0	154	255	0	0	0
Filter 121 (Filter Green)	0	0	172	0	241	0
Filter 128 (Bright Pink)	0	0	0	222	169	0
Filter 131 (Marine Blue)	0	0	198	0	117	0
Filter 132 (Medium Blue)	0	0	234	0	71	0
Filter 134 (Golden Amber)	0	0	0	179	255	0
Filter 135 (Deep Golden Amber)	0	0	0	209	255	0
Filter 136 (Pale Lavender)	0	0	22	175	86	0
Filter 137 (Special Lavender)	0	0	22	141	99	0
Filter 138 (Pale Green)	0	0	80	25	167	0
Filter 139 (Primary Green)	0	0	255	0	228	0
Filter 141 (Bright Blue)	0	0	233	20	109	62
Filter 147 (Apricot)	0	0	0	164	205	0
Filter 148 (Bright Rose)	0	0	0	211	195	0
Filter 152 (Pale Gold)	0	0	0	166	176	0
Filter 154 (Pale Rose)	0	0	0	164	163	0
Filter 157 (Pink)	0	0	0	204	196	0
Filter 158 (Deep Orange)	0	0	0	206	242	0
Filter 162 (Bastard Amber)	0	0	0	146	176	0
Filter 164 (Flame Red)	0	0	0	255	243	0
Filter 165 (Daylight Blue)	0	0	201	0	50	0
Filter 169 (Lilac Tint)	0	0	0	177	135	0

<b>Colour name</b>	<b>Col. Wheel 1 DMX</b>	<b>Col. Wheel 2 DMX</b>	<b>Cyan DMX</b>	<b>Magenta DMX</b>	<b>Yellow DMX</b>	<b>CTO DMX</b>
Filter 170 (Deep Lavender)	0	0	45	177	88	0
Filter 172 (Lagoon Blue)	0	0	218	7	125	0
Filter 179 (Chrome Orange)	0	0	0	166	217	0
Filter 180 (Dark Lavender)	0	0	174	175	0	0
Filter 181 (Congo Blue)	0	0	187	210	0	0
Filter 197 (Alice Blue)	0	154	216	0	0	0
Filter 201 (Full C.T. Blue)	0	0	166	0	93	0
Filter 202 (Half C.T. Blue)	0	0	138	0	51	0
Filter 203 (Quarter C.T. Blue)	0	0	126	0	109	0
Filter 204 (Full C.T. Orange)	0	0	0	176	226	0
Filter 205 (Half C.T. Orange)	0	0	0	154	182	0
Filter 206 (Quarter C.T. Orange)	0	0	0	149	146	0
Filter 247 (Filter Minus Green)	0	0	0	167	108	0
Filter 248 (Half Minus Green)	0	0	0	121	98	0
Filter 281 (Three Quarter C.T. Blue)	0	0	163	0	105	0
Filter 285 (Three Quarter C.T. Orange)	0	0	0	162	219	0
Filter 352 (Glacier Blue)	0	0	197	0	99	0
Filter 353 (Lighter Blue)	0	0	210	0	131	0
Filter 715 (Cabana Blue)	0	154	255	0	0	0
Filter 778 (Millennium Gold)	0	0	0	198	255	0
Filter 793 (Vanity Fair)	0	0	0	221	140	0